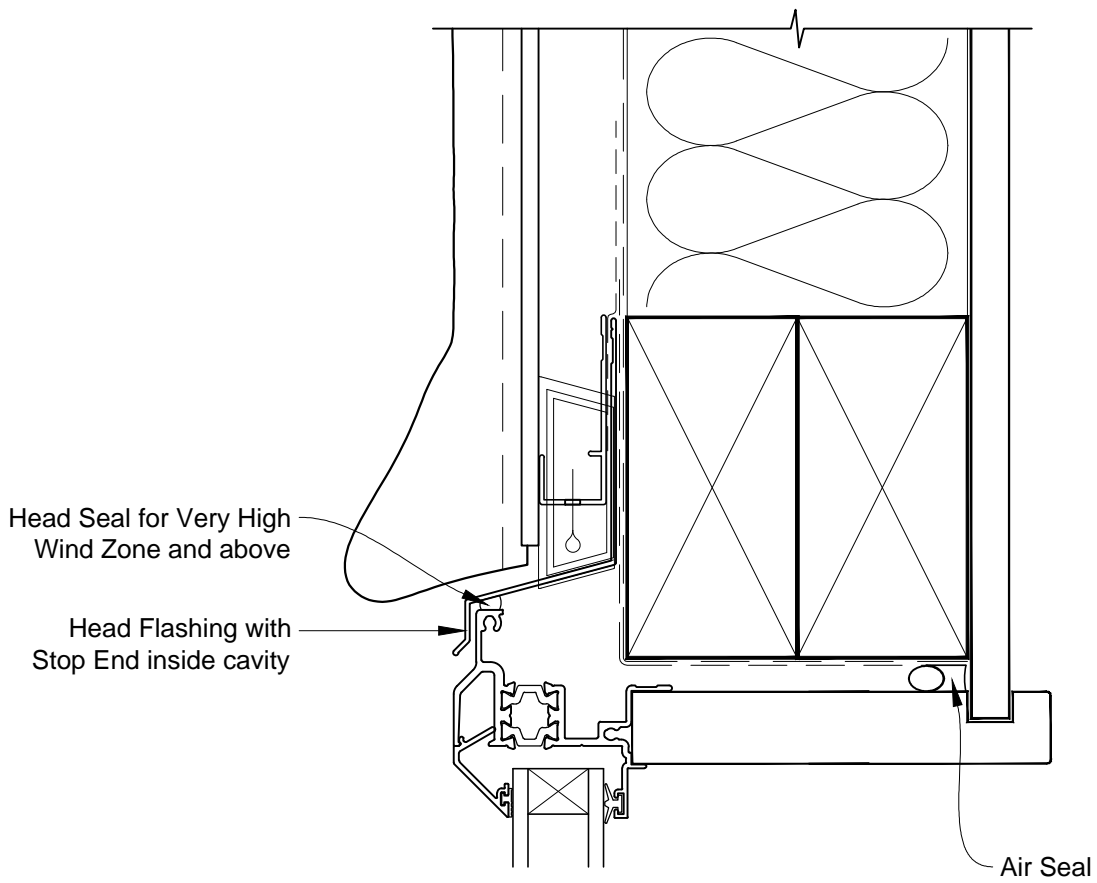


**INSTALLATION DETAIL - FIRST RESIDENTIAL THERMAL HEART
AWNING WINDOW ON STUCCO
CAVITY CONSTRUCTION**

Date: 01.03.14

Scale: 1:2

CAD Ref.: FTAWST-CH

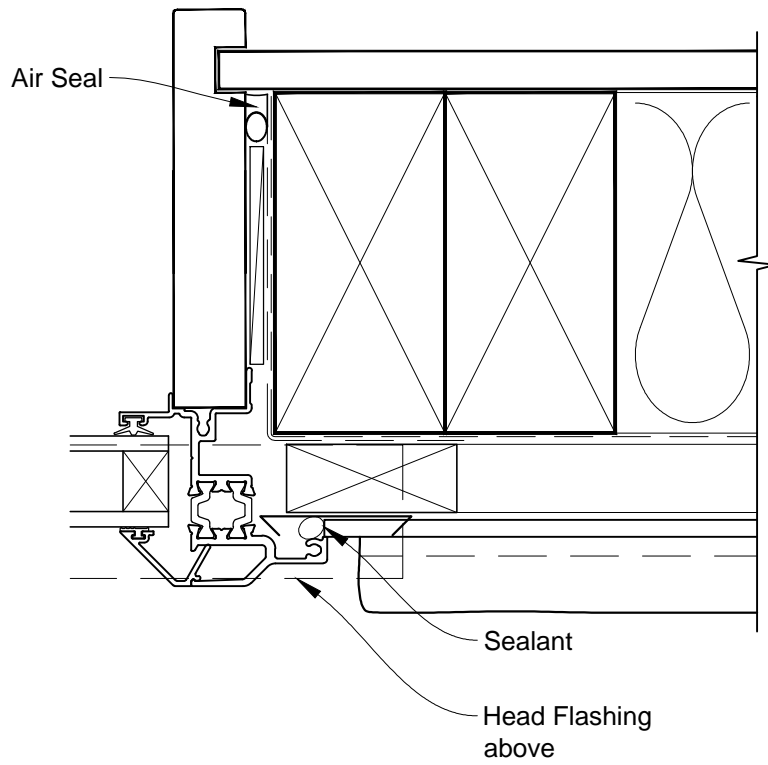


**INSTALLATION DETAIL - FIRST RESIDENTIAL THERMAL HEART
AWNING WINDOW ON STUCCO
CAVITY CONSTRUCTION**

Date: 01.03.14

Scale: 1:2

CAD Ref.: FTAWST-CJ

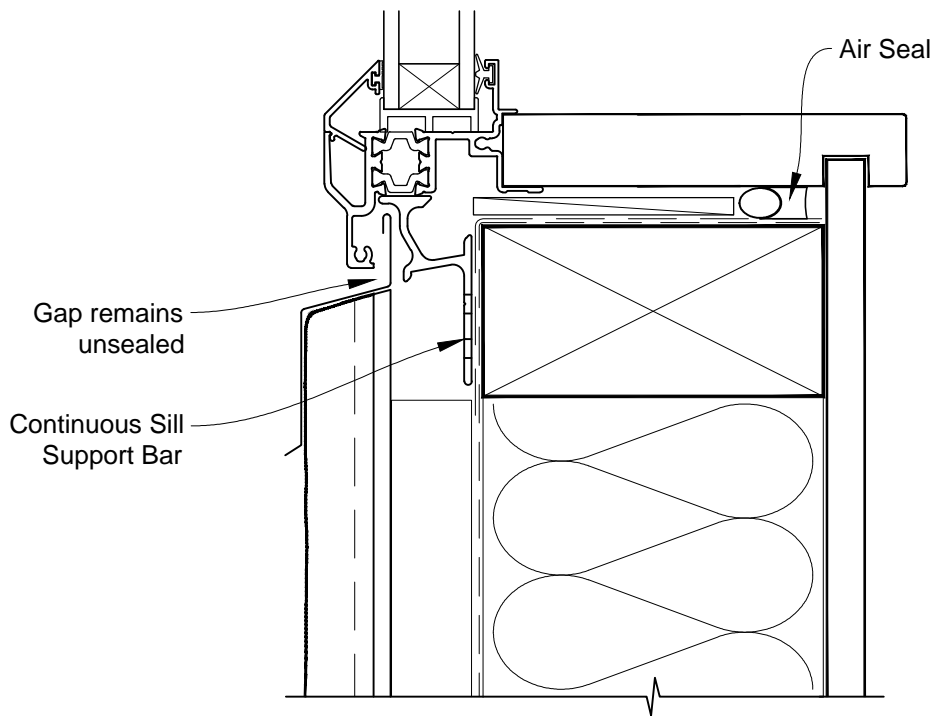


**INSTALLATION DETAIL - FIRST RESIDENTIAL THERMAL HEART
AWNING WINDOW ON STUCCO
CAVITY CONSTRUCTION**

Date: 01.03.14

Scale: 1:2

CAD Ref.: FTAWST-CS



**INSTALLATION DETAIL - FIRST RESIDENTIAL THERMAL HEART
AWNING WINDOW ON STUCCO
CAVITY CONSTRUCTION**

Date: 01.03.14

Scale: 1:2

CAD Ref.: FTAWST-CS2

