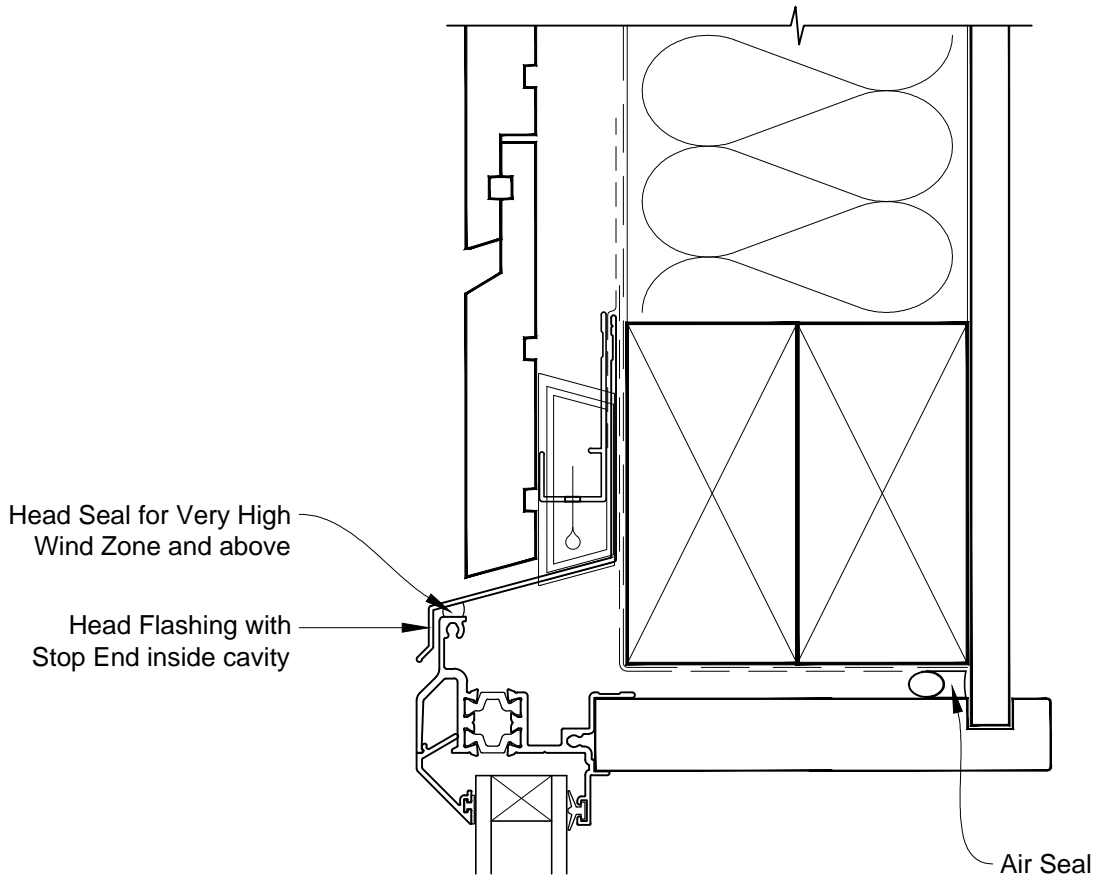


**INSTALLATION DETAIL - FIRST RESIDENTIAL THERMAL HEART
AWNING WINDOW ON RUSTICATED WEATHERBOARD
CAVITY CONSTRUCTION**

Date: 01.03.14

Scale: 1:2

CAD Ref.: FTAWRW-CH

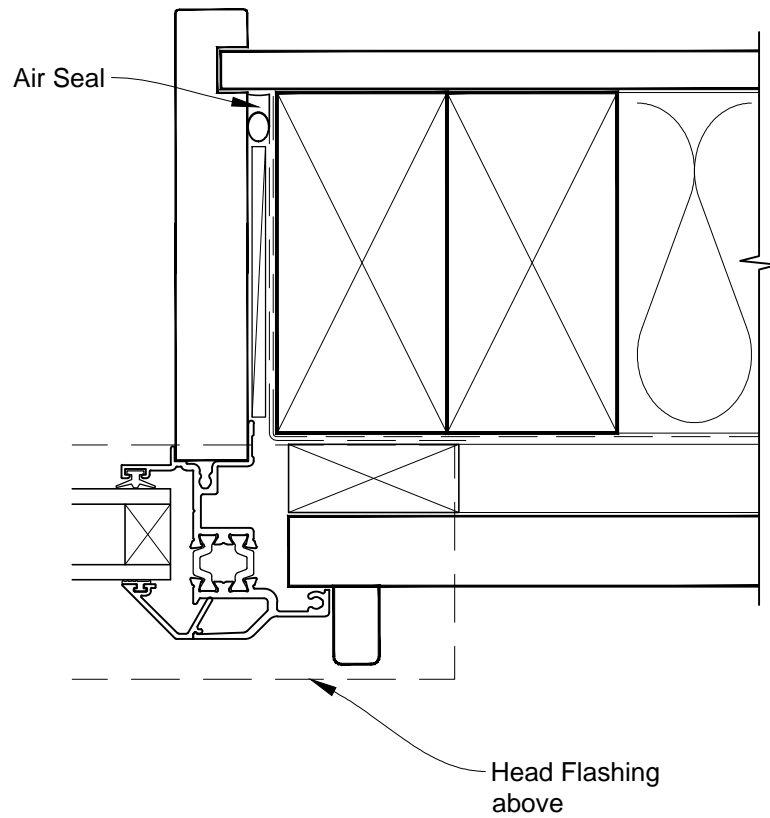


**INSTALLATION DETAIL - FIRST RESIDENTIAL THERMAL HEART
AWNING WINDOW ON RUSTICATED WEATHERBOARD
CAVITY CONSTRUCTION**

Date: 01.03.14

Scale: 1:2

CAD Ref.: FTAWRW-CJ

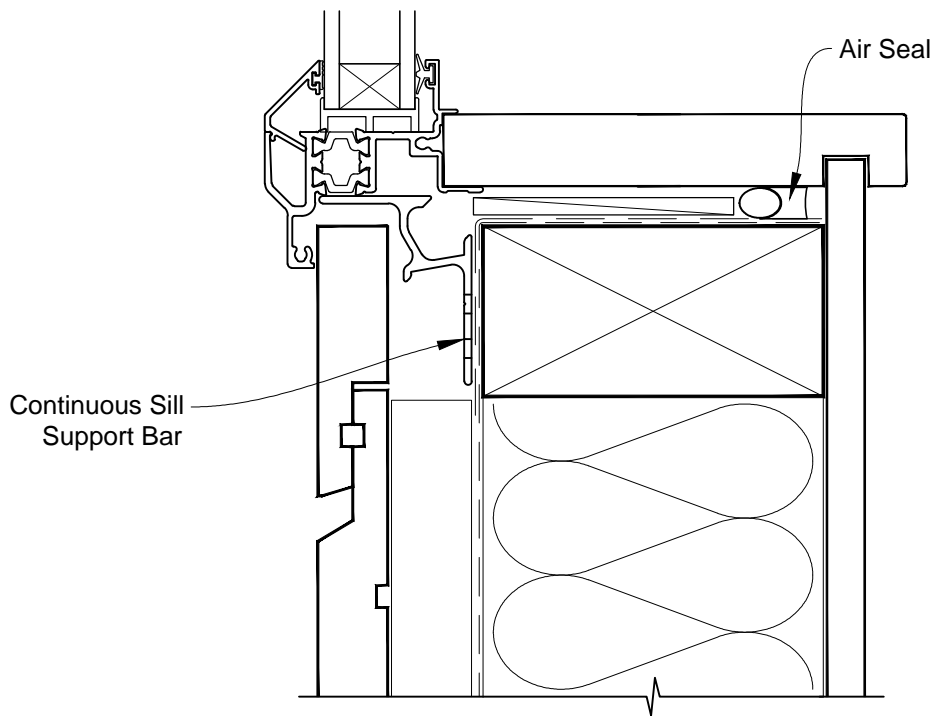


**INSTALLATION DETAIL - FIRST RESIDENTIAL THERMAL HEART
AWNING WINDOW ON RUSTICATED WEATHERBOARD
CAVITY CONSTRUCTION**

Date: 01.03.14

Scale: 1:2

CAD Ref.: FTAWRW-CS

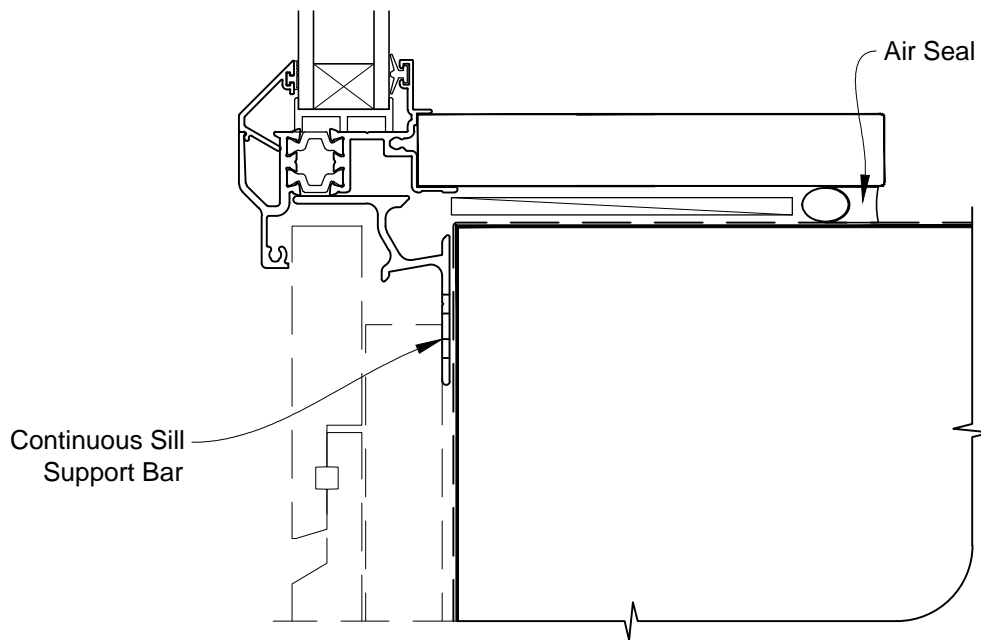


**INSTALLATION DETAIL - FIRST RESIDENTIAL THERMAL HEART
AWNING WINDOW ON RUSTICATED WEATHERBOARD
CAVITY CONSTRUCTION**

Date: 01.03.14

Scale: 1:2

CAD Ref.: FTAWRW-CS2

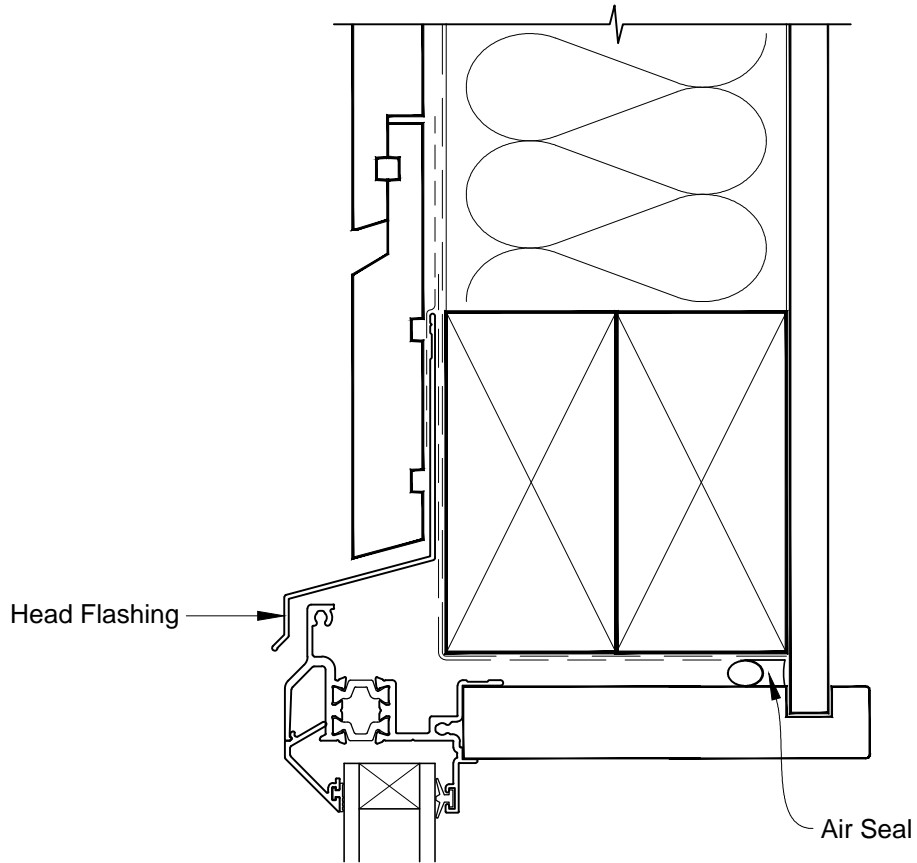


**INSTALLATION DETAIL - FIRST RESIDENTIAL THERMAL HEART
AWNING WINDOW ON RUSTICATED WEATHERBOARD
DIRECT FIXED CLADDING**

Date: 01.03.14

Scale: 1:2

CAD Ref.: FTAWRW-DH

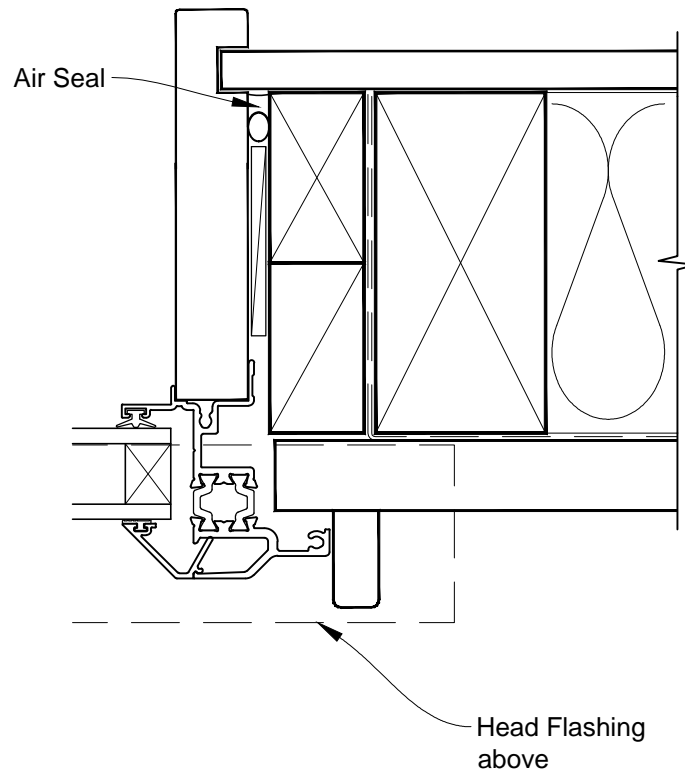


**INSTALLATION DETAIL - FIRST RESIDENTIAL THERMAL HEART
AWNING WINDOW ON RUSTICATED WEATHERBOARD
DIRECT FIXED CLADDING**

Date: 01.03.14

Scale: 1:2

CAD Ref.: FTAWRW-DJ

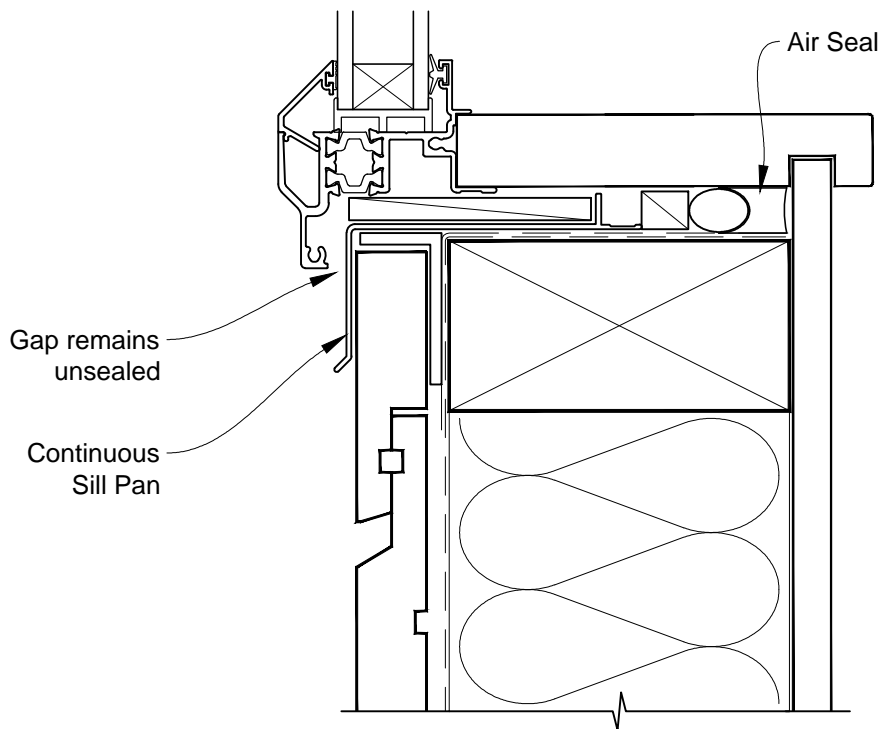


**INSTALLATION DETAIL - FIRST RESIDENTIAL THERMAL HEART
AWNING WINDOW ON RUSTICATED WEATHERBOARD
DIRECT FIXED CLADDING**

Date: 01.03.14

Scale: 1:2

CAD Ref.: FTAWRW-DS



**INSTALLATION DETAIL - FIRST RESIDENTIAL THERMAL HEART
AWNING WINDOW ON RUSTICATED WEATHERBOARD
DIRECT FIXED CLADDING**

Date: 01.03.14

Scale: 1:2

CAD Ref.: FTAWRW-DS2

