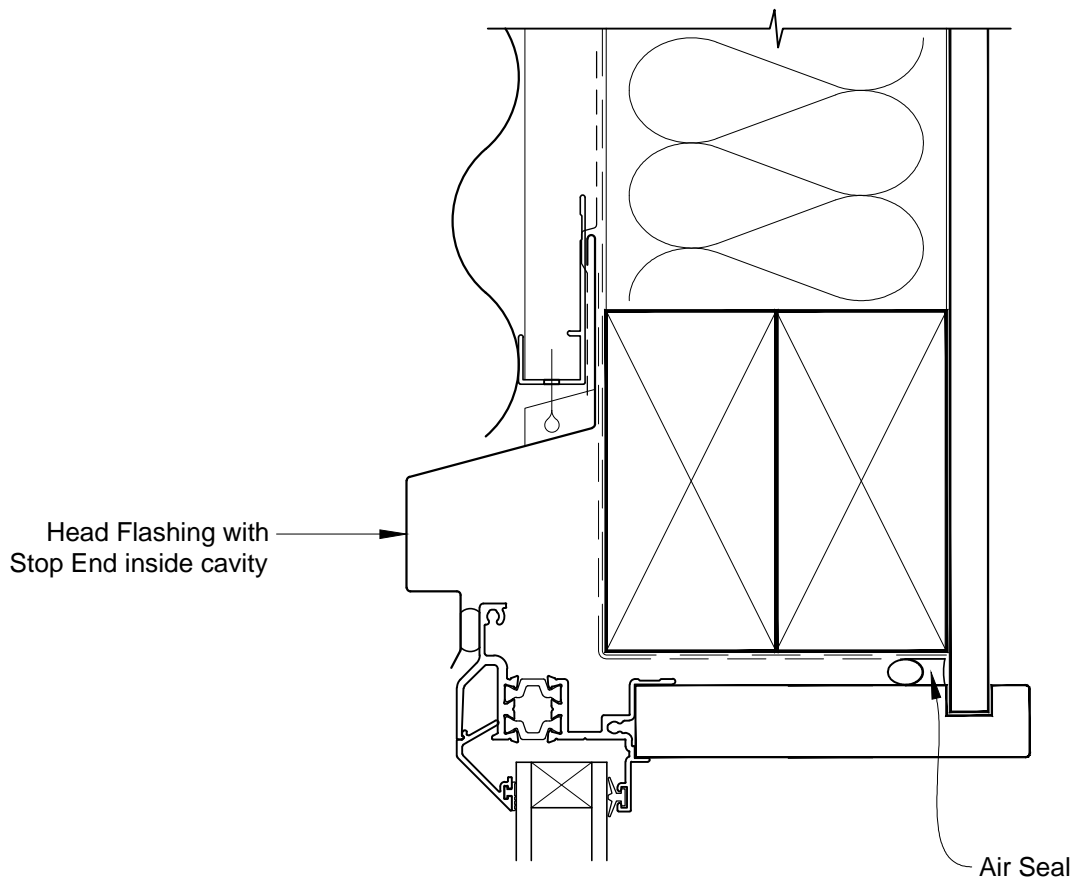


**INSTALLATION DETAIL - FIRST RESIDENTIAL THERMAL HEART
AWNING WINDOW ON PROFILE METAL
CAVITY CONSTRUCTION**

Date: 01.03.14

Scale: 1:2

CAD Ref.: FTAWPM-CH

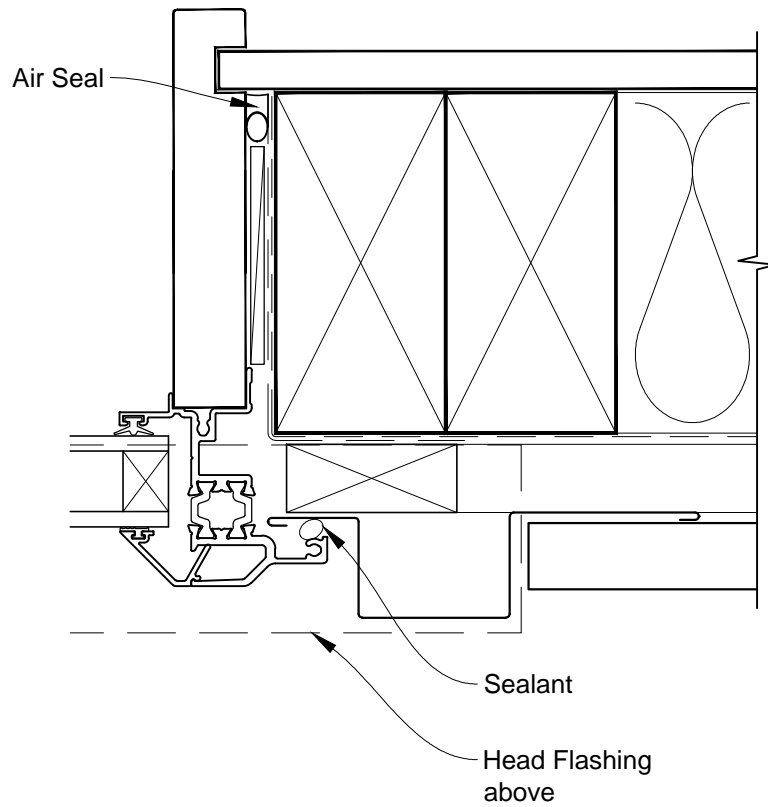


**INSTALLATION DETAIL - FIRST RESIDENTIAL THERMAL HEART
AWNING WINDOW ON PROFILE METAL
CAVITY CONSTRUCTION**

Date: 01.03.14

Scale: 1:2

CAD Ref.: FTAWPM-CJ

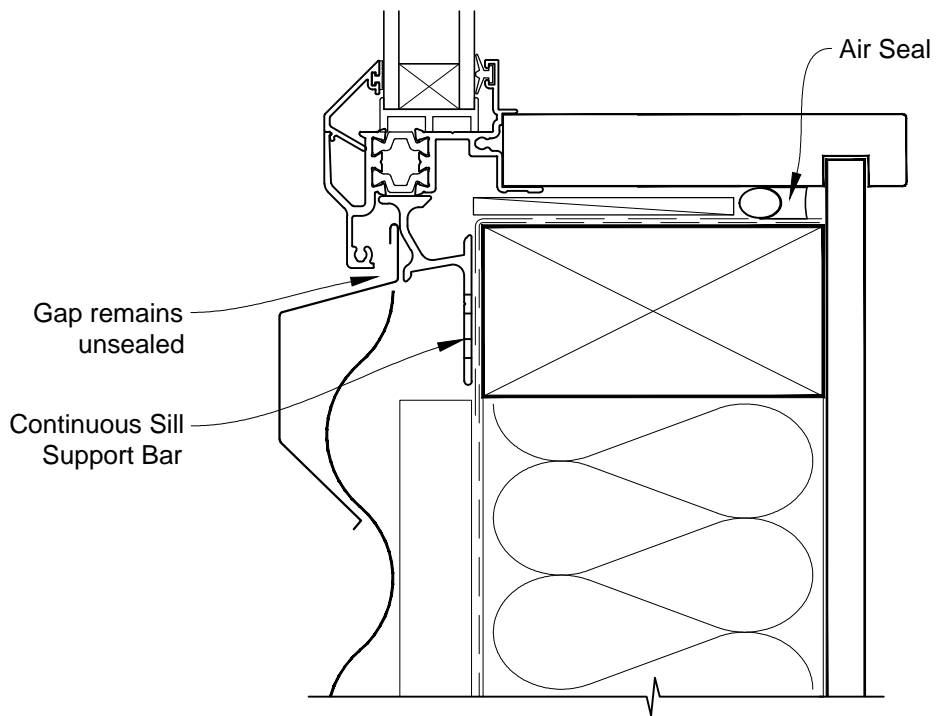


**INSTALLATION DETAIL - FIRST RESIDENTIAL THERMAL HEART
AWNING WINDOW ON PROFILE METAL
CAVITY CONSTRUCTION**

Date: 01.03.14

Scale: 1:2

CAD Ref.: FTAWPM-CS

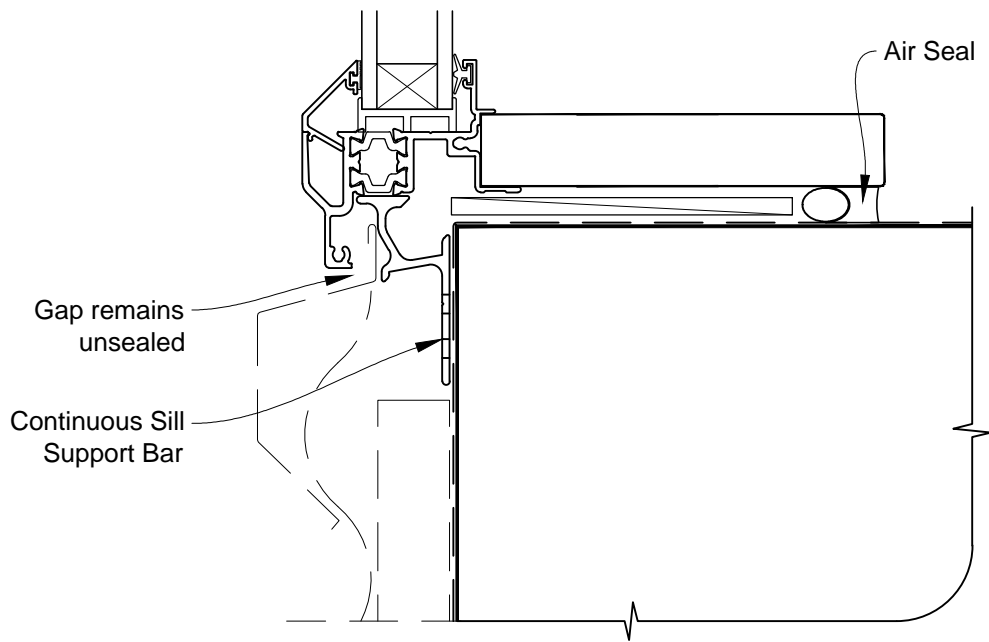


**INSTALLATION DETAIL - FIRST RESIDENTIAL THERMAL HEART
AWNING WINDOW ON PROFILE METAL
CAVITY CONSTRUCTION**

Date: 01.03.14

Scale: 1:2

CAD Ref.: FTAWPM-CS2

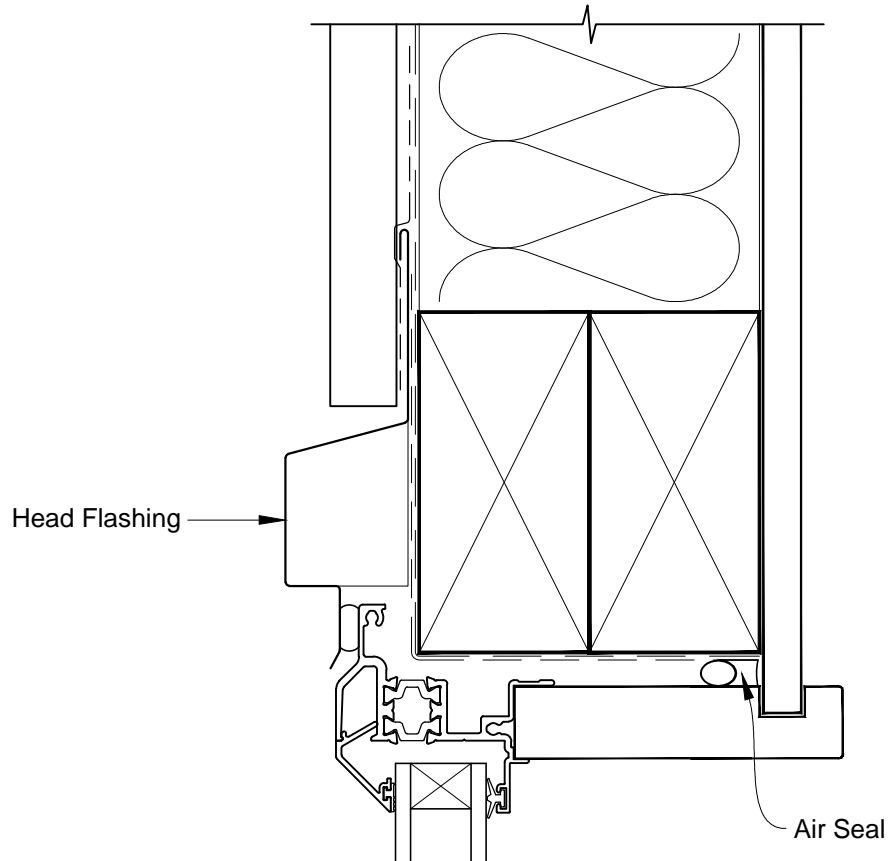


**INSTALLATION DETAIL - FIRST RESIDENTIAL THERMAL HEART
AWNING WINDOW ON PROFILE METAL
DIRECT FIXED CLADDING**

Date: 01.03.14

Scale: 1:2

CAD Ref.: FTAWPM-DH

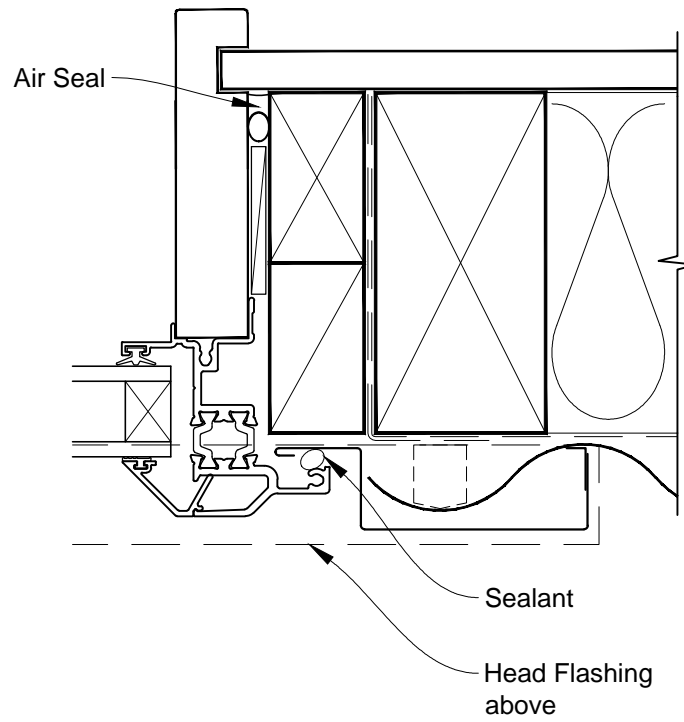


**INSTALLATION DETAIL - FIRST RESIDENTIAL THERMAL HEART
AWNING WINDOW ON PROFILE METAL
DIRECT FIXED CLADDING**

Date: 01.03.14

Scale: 1:2

CAD Ref.: FTAWPM-DJ

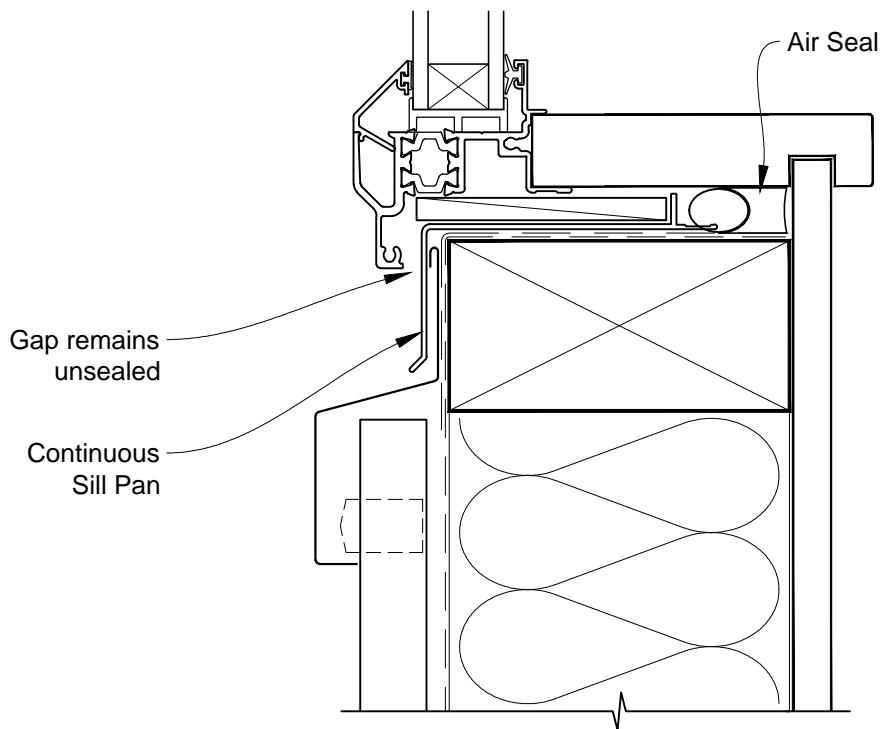


**INSTALLATION DETAIL - FIRST RESIDENTIAL THERMAL HEART
AWNING WINDOW ON PROFILE METAL
DIRECT FIXED CLADDING**

Date: 01.03.14

Scale: 1:2

CAD Ref.: FTAWPM-DS



**INSTALLATION DETAIL - FIRST RESIDENTIAL THERMAL HEART
AWNING WINDOW ON PROFILE METAL
DIRECT FIXED CLADDING**

Date: 01.03.14

Scale: 1:2

CAD Ref.: FTAWPM-DS2

