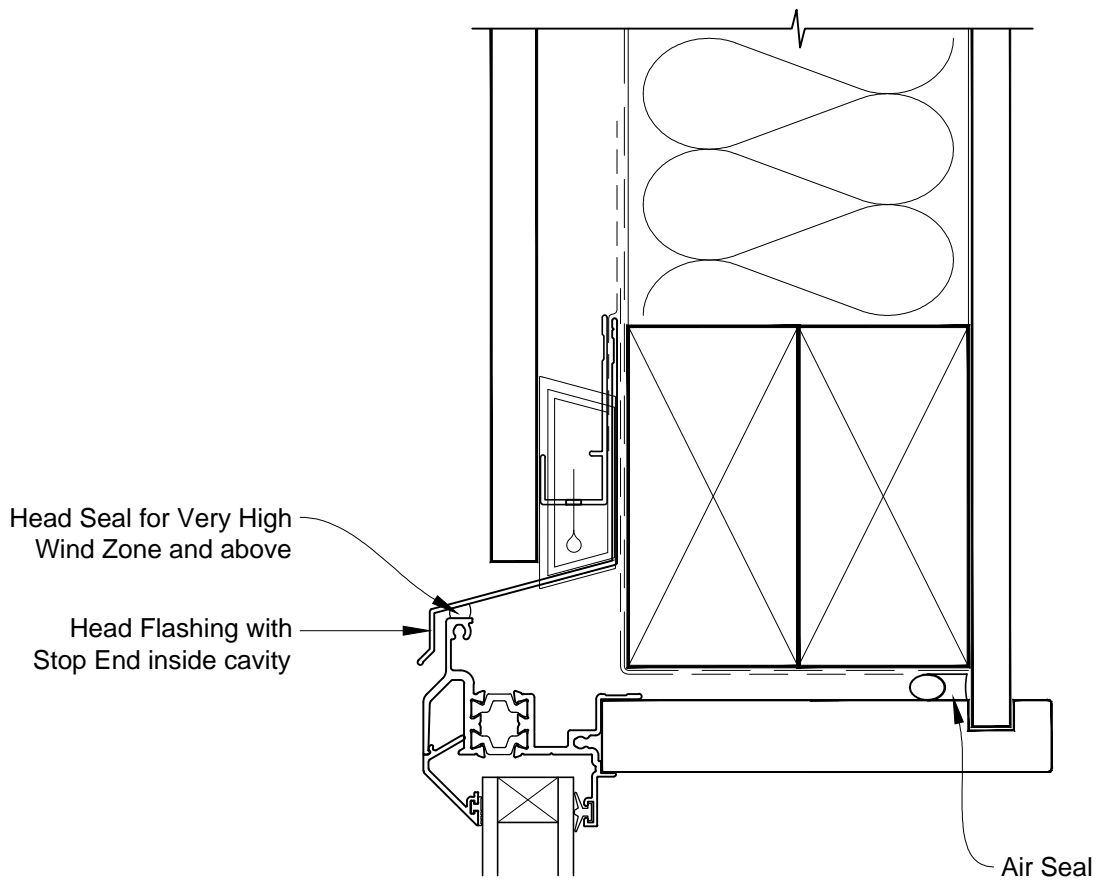


**INSTALLATION DETAIL - FIRST RESIDENTIAL THERMAL HEART
AWNING WINDOW ON FLAT SHEET
CAVITY CONSTRUCTION**

Date: 01.03.14

Scale: 1:2

CAD Ref.: FTAWFS-CH

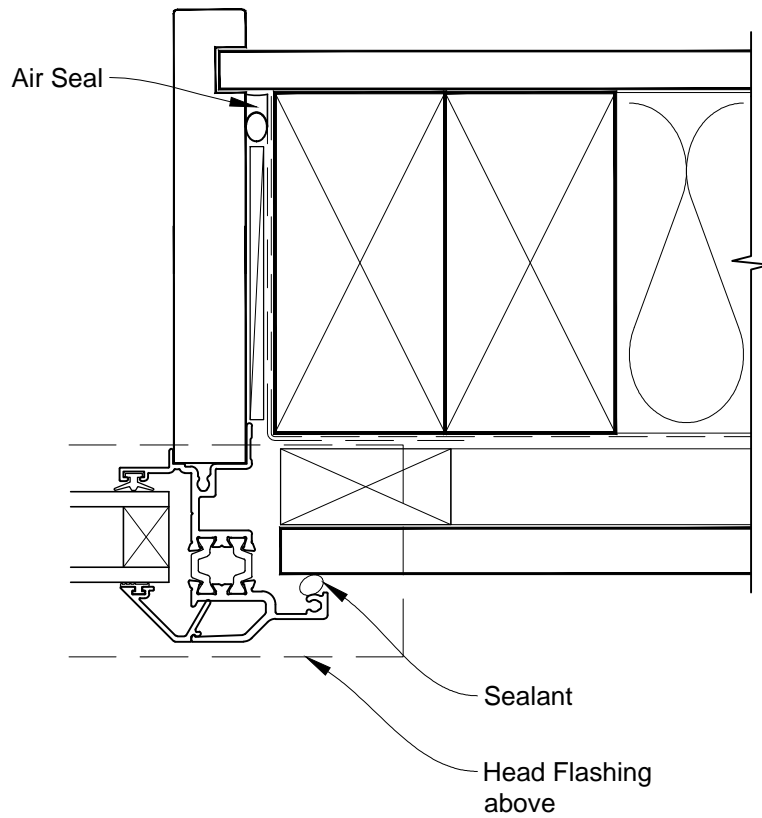


**INSTALLATION DETAIL - FIRST RESIDENTIAL THERMAL HEART
AWNING WINDOW ON FLAT SHEET
CAVITY CONSTRUCTION**

Date: 01.03.14

Scale: 1:2

CAD Ref.: FTAWFS-CJ

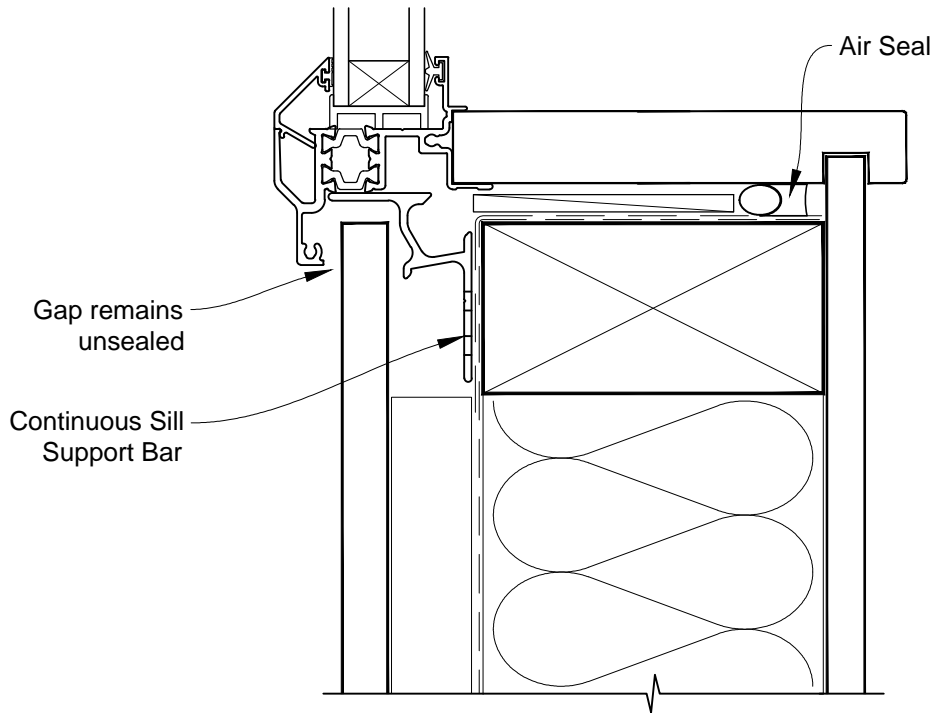


**INSTALLATION DETAIL - FIRST RESIDENTIAL THERMAL HEART
AWNING WINDOW ON FLAT SHEET
CAVITY CONSTRUCTION**

Date: 01.03.14

Scale: 1:2

CAD Ref.: FTAWFS-CS

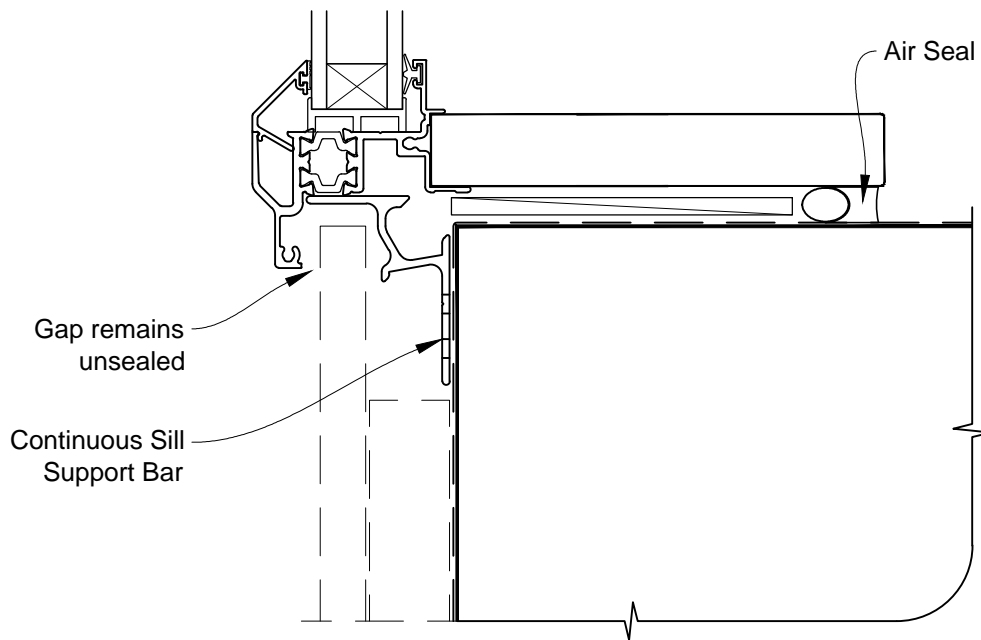


**INSTALLATION DETAIL - FIRST RESIDENTIAL THERMAL HEART
AWNING WINDOW ON FLAT SHEET
CAVITY CONSTRUCTION**

Date: 01.03.14

Scale: 1:2

CAD Ref.: FTAWFS-CS2

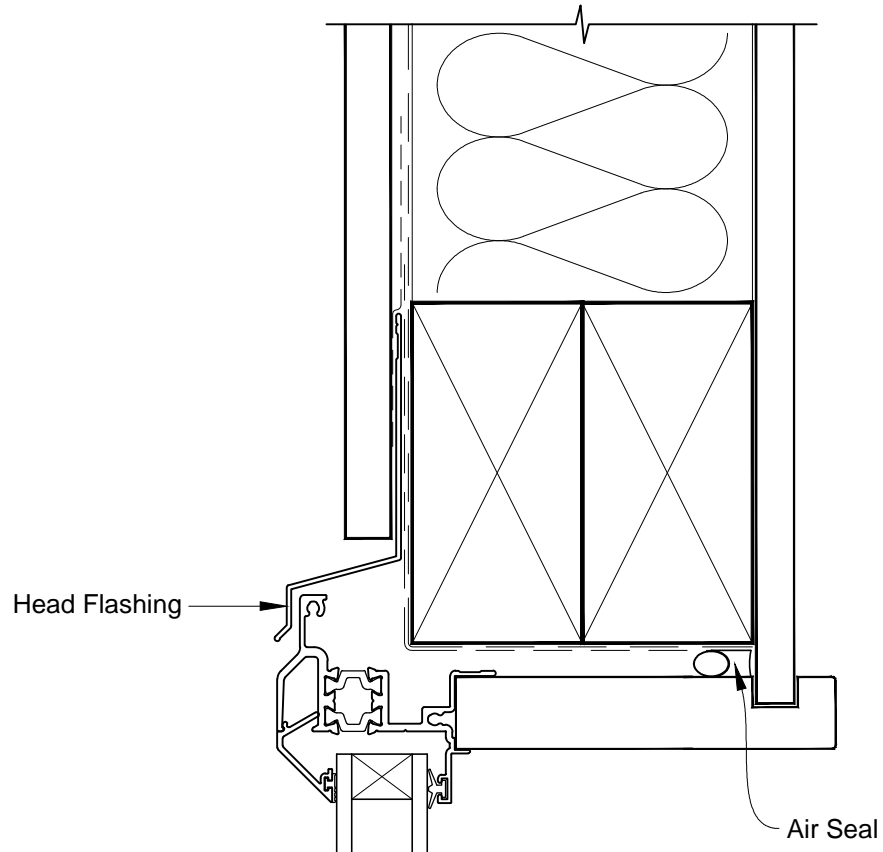


**INSTALLATION DETAIL - FIRST RESIDENTIAL THERMAL HEART
AWNING WINDOW ON FLAT SHEET
DIRECT FIXED CLADDING**

Date: 01.03.14

Scale: 1:2

CAD Ref.: FTAWFS-DH

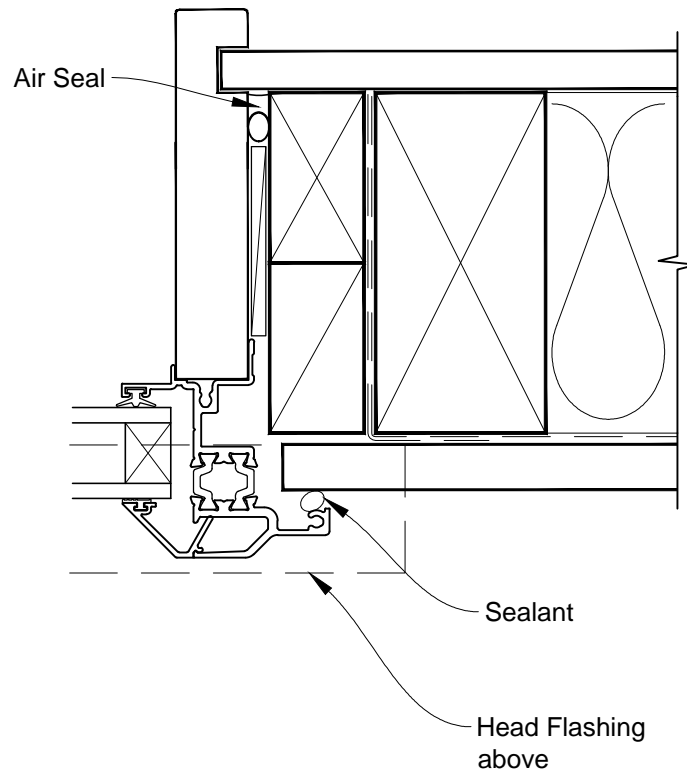


**INSTALLATION DETAIL - FIRST RESIDENTIAL THERMAL HEART
AWNING WINDOW ON FLAT SHEET
DIRECT FIXED CLADDING**

Date: 01.03.14

Scale: 1:2

CAD Ref.: FTAWFS-DJ

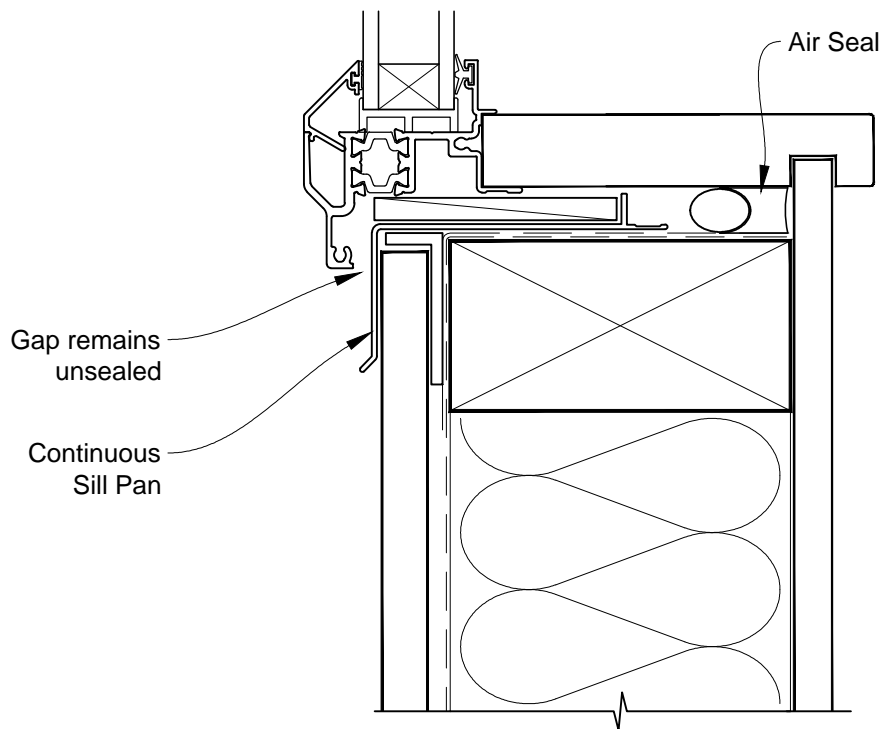


**INSTALLATION DETAIL - FIRST RESIDENTIAL THERMAL HEART
AWNING WINDOW ON FLAT SHEET
DIRECT FIXED CLADDING**

Date: 01.03.14

Scale: 1:2

CAD Ref.: FTAWFS-DS



**INSTALLATION DETAIL - FIRST RESIDENTIAL THERMAL HEART
AWNING WINDOW ON FLAT SHEET
DIRECT FIXED CLADDING**

Date: 01.03.14

Scale: 1:2

CAD Ref.: FTAWFS-DS2

