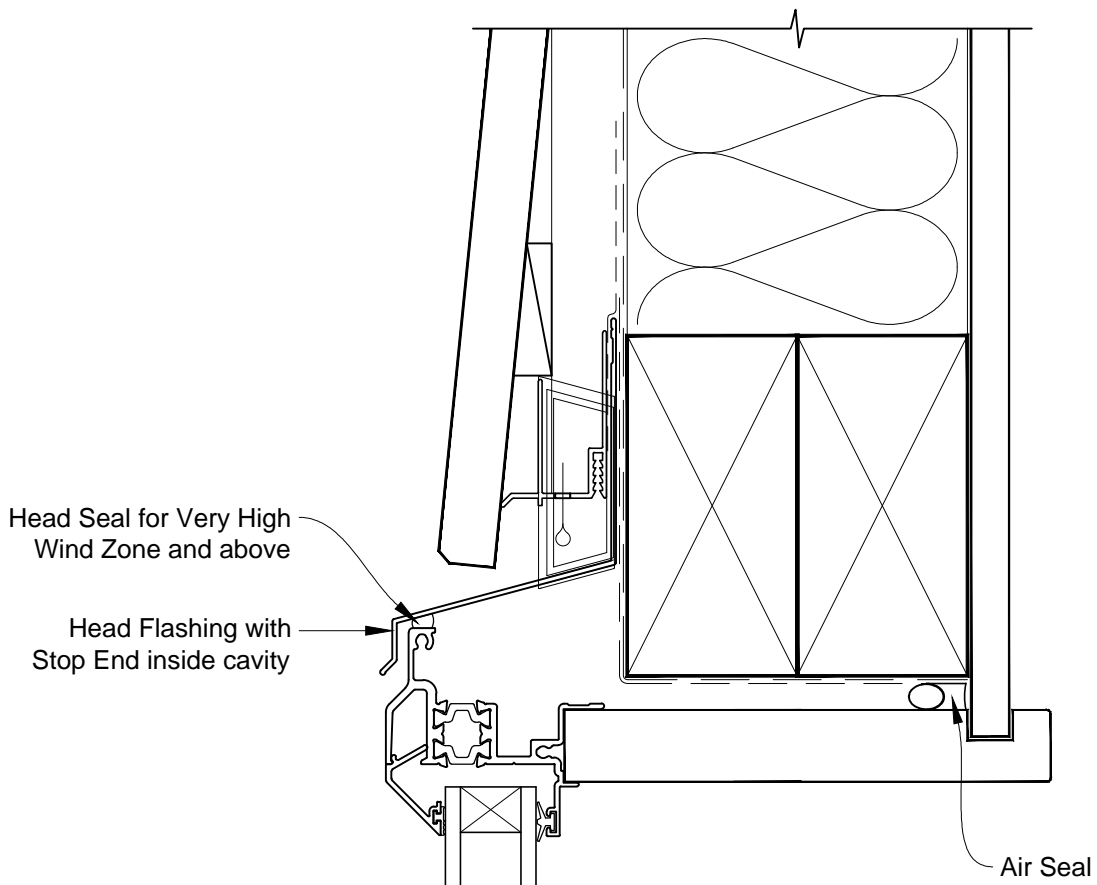


**INSTALLATION DETAIL - FIRST RESIDENTIAL THERMAL HEART
AWNING WINDOW ON BEVELBACK WEATHERBOARD
CAVITY CONSTRUCTION**

Date: 01.03.14

Scale: 1:2

CAD Ref.: FTAWBW-CH

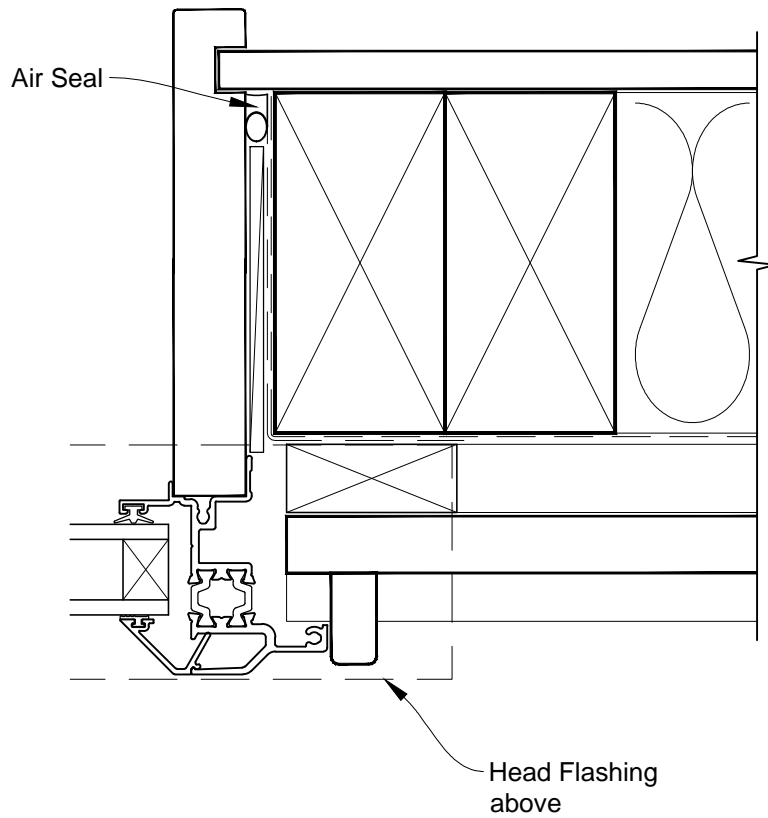


**INSTALLATION DETAIL - FIRST RESIDENTIAL THERMAL HEART
AWNING WINDOW ON BEVELBACK WEATHERBOARD
CAVITY CONSTRUCTION**

Date: 01.03.14

Scale: 1:2

CAD Ref.: FTAWBW-CJ

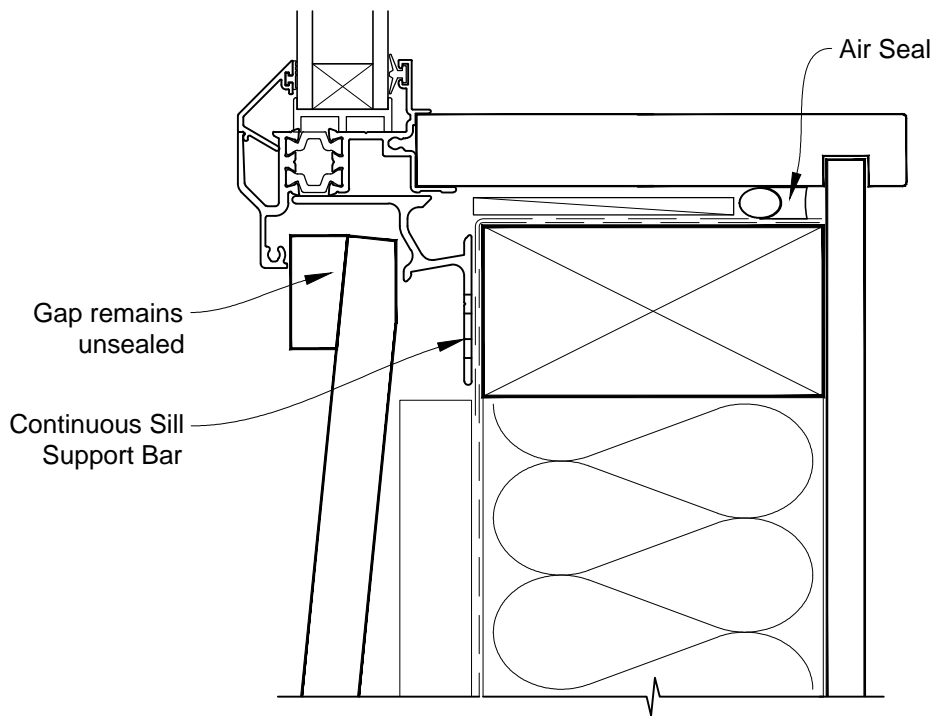


**INSTALLATION DETAIL - FIRST RESIDENTIAL THERMAL HEART
AWNING WINDOW ON BEVELBACK WEATHERBOARD
CAVITY CONSTRUCTION**

Date: 01.03.14

Scale: 1:2

CAD Ref.: FTAWBW-CS

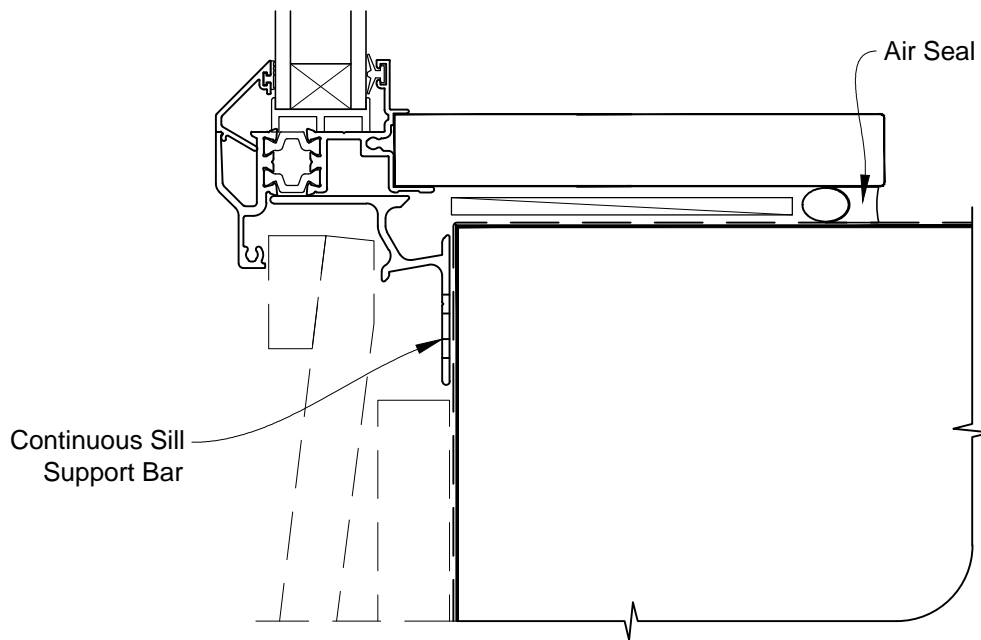


**INSTALLATION DETAIL - FIRST RESIDENTIAL THERMAL HEART
AWNING WINDOW ON BEVELBACK WEATHERBOARD
CAVITY CONSTRUCTION**

Date: 01.03.14

Scale: 1:2

CAD Ref.: FTAWBW-CS2

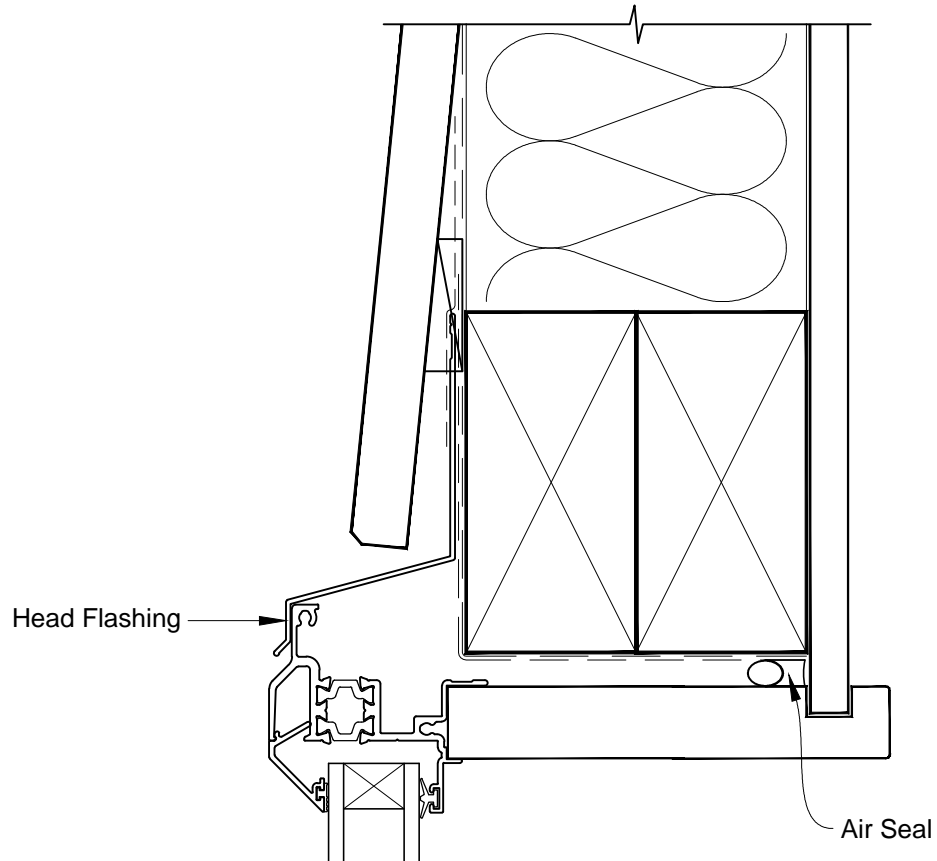


**INSTALLATION DETAIL - FIRST RESIDENTIAL THERMAL HEART
AWNING WINDOW ON BEVELBACK WEATHERBOARD
DIRECT FIXED CLADDING**

Date: 01.03.14

Scale: 1:2

CAD Ref.: FTAWBW-DH

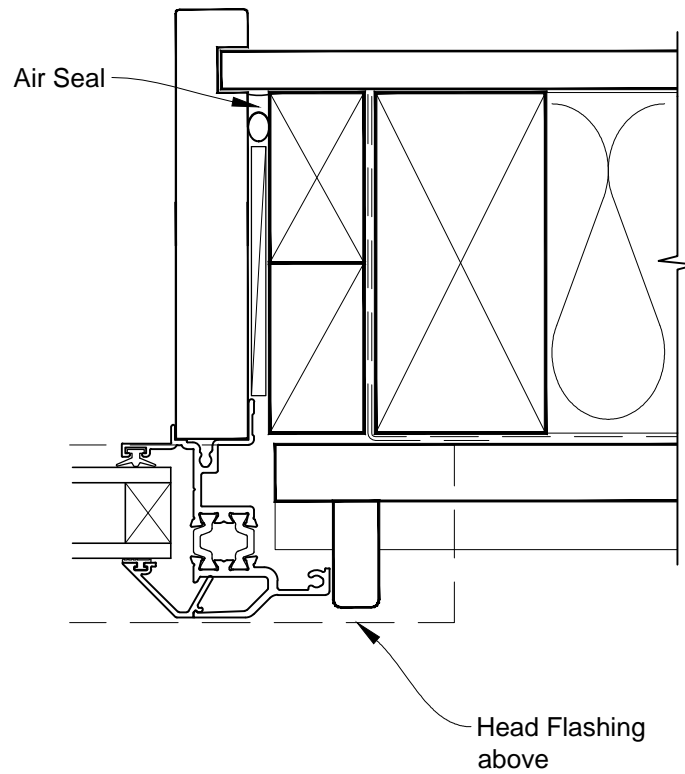


**INSTALLATION DETAIL - FIRST RESIDENTIAL THERMAL HEART
AWNING WINDOW ON BEVELBACK WEATHERBOARD
DIRECT FIXED CLADDING**

Date: 01.03.14

Scale: 1:2

CAD Ref.: FTAWBW-DJ

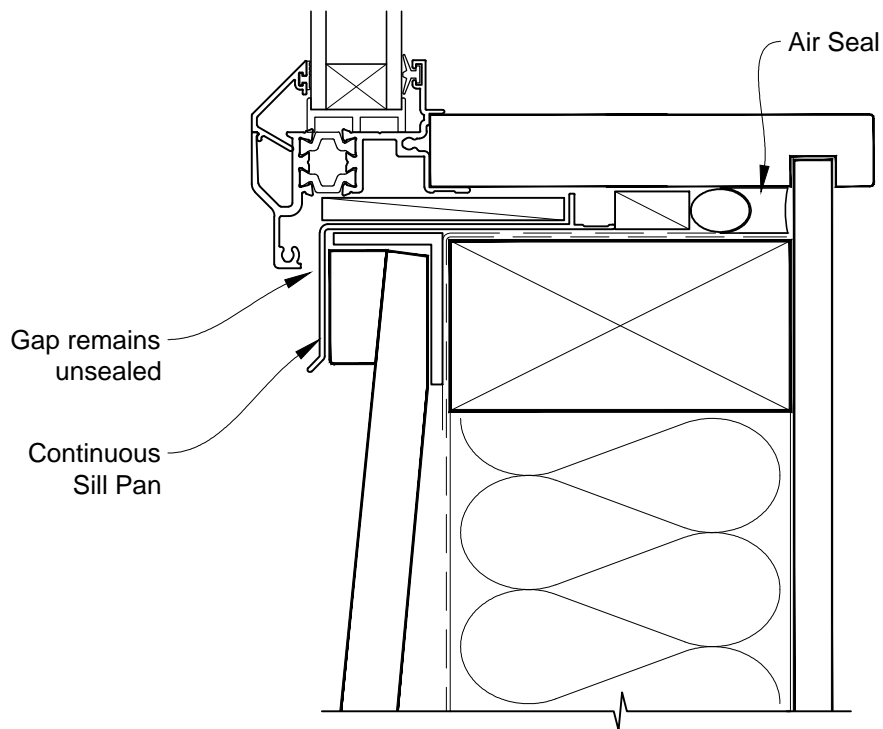


**INSTALLATION DETAIL - FIRST RESIDENTIAL THERMAL HEART
AWNING WINDOW ON BEVELBACK WEATHERBOARD
DIRECT FIXED CLADDING**

Date: 01.03.14

Scale: 1:2

CAD Ref.: FTAWBW-DS



**INSTALLATION DETAIL - FIRST RESIDENTIAL THERMAL HEART
AWNING WINDOW ON BEVELBACK WEATHERBOARD
DIRECT FIXED CLADDING**

Date: 01.03.14

Scale: 1:2

CAD Ref.: FTAWBW-DS2

