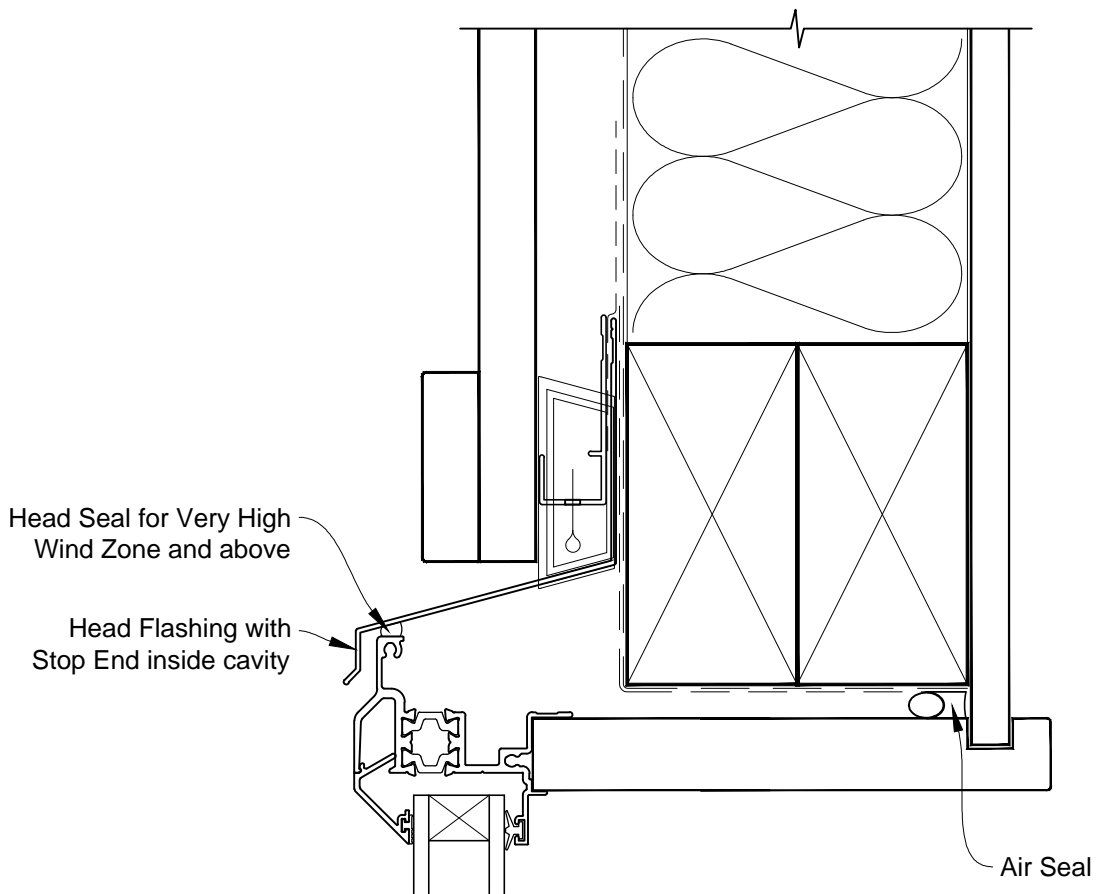


**INSTALLATION DETAIL - FIRST RESIDENTIAL THERMAL HEART  
AWNING WINDOW ON BOARD & BATTEN  
CAVITY CONSTRUCTION**

Date: 01.03.14

Scale: 1:2

CAD Ref.: FTAWBB-CH

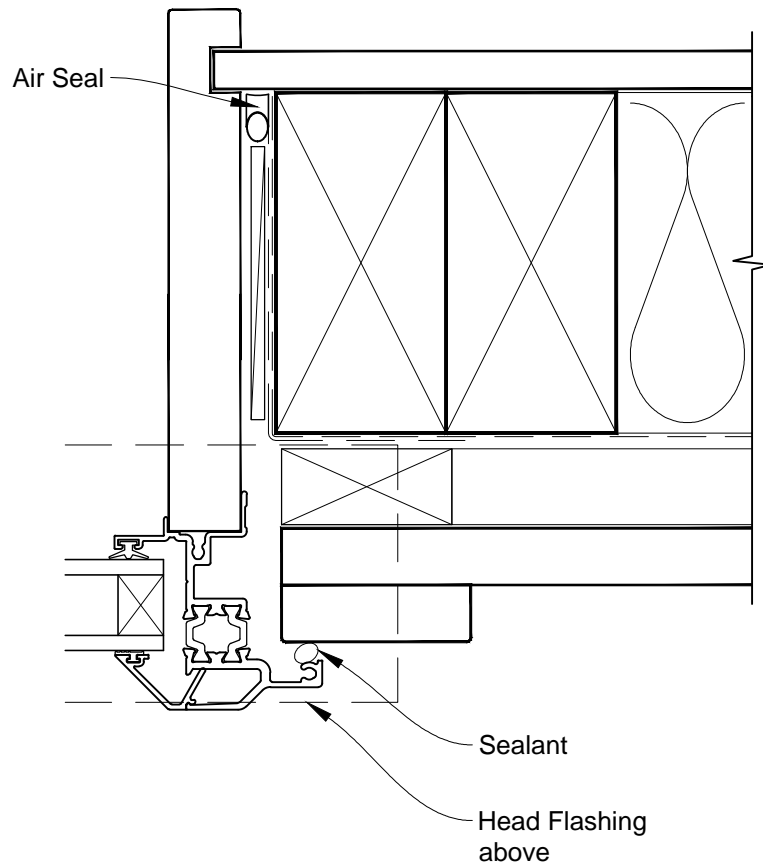


**INSTALLATION DETAIL - FIRST RESIDENTIAL THERMAL HEART  
AWNING WINDOW ON BOARD & BATTEN  
CAVITY CONSTRUCTION**

Date: 01.03.14

Scale: 1:2

CAD Ref.: FTAWBB-CJ

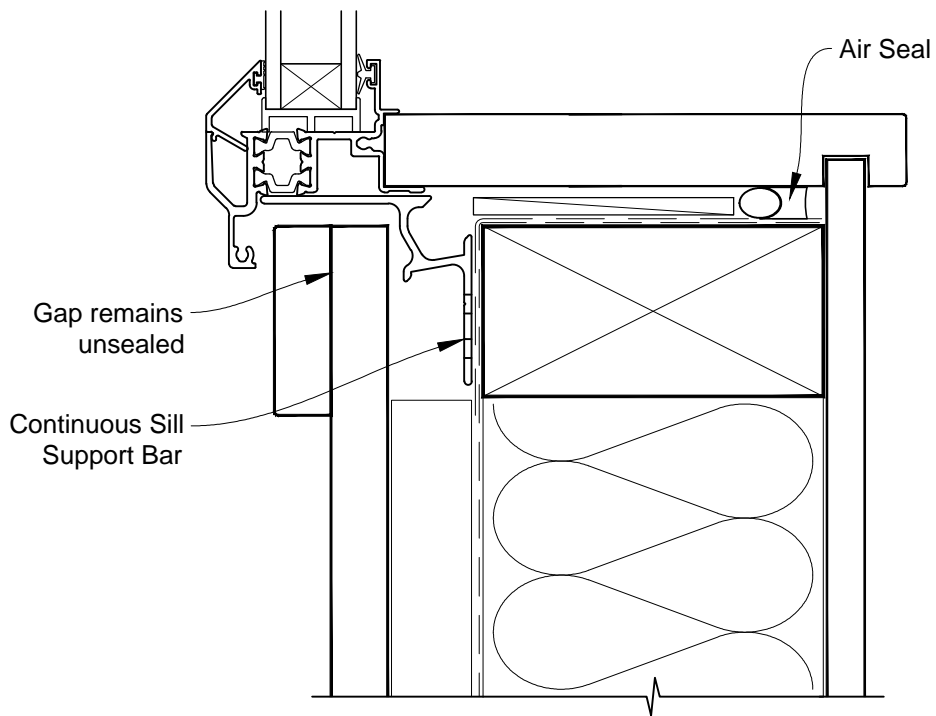


**INSTALLATION DETAIL - FIRST RESIDENTIAL THERMAL HEART  
AWNING WINDOW ON BOARD & BATTEN  
CAVITY CONSTRUCTION**

Date: 01.03.14

Scale: 1:2

CAD Ref.: FTAWBB-CS

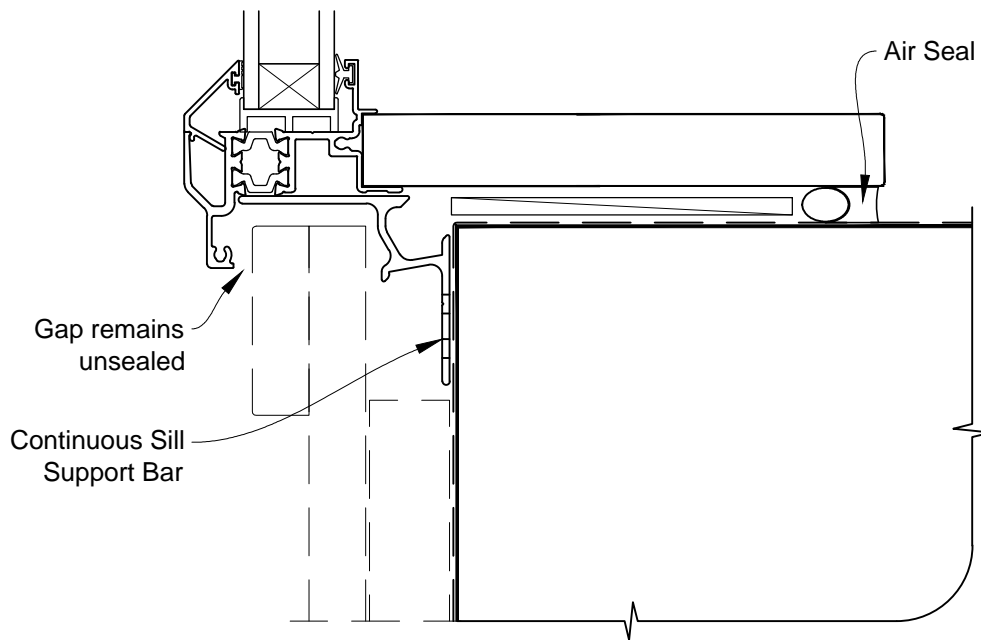


**INSTALLATION DETAIL - FIRST RESIDENTIAL THERMAL HEART  
AWNING WINDOW ON BOARD & BATTEN  
CAVITY CONSTRUCTION**

Date: 01.03.14

Scale: 1:2

CAD Ref.: FTAWBB-CS2

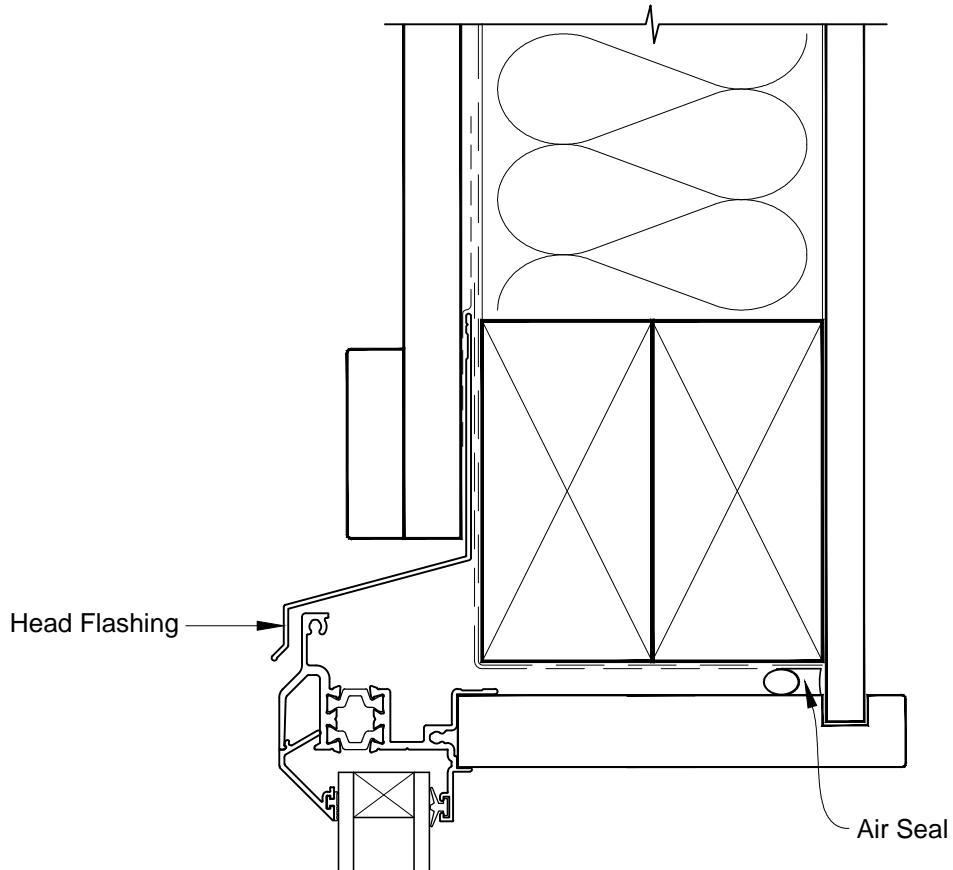


**INSTALLATION DETAIL - FIRST RESIDENTIAL THERMAL HEART  
AWNING WINDOW ON BOARD & BATTEN  
DIRECT FIXED CLADDING**

Date: 01.03.14

Scale: 1:2

CAD Ref.: FTAWBB-DH

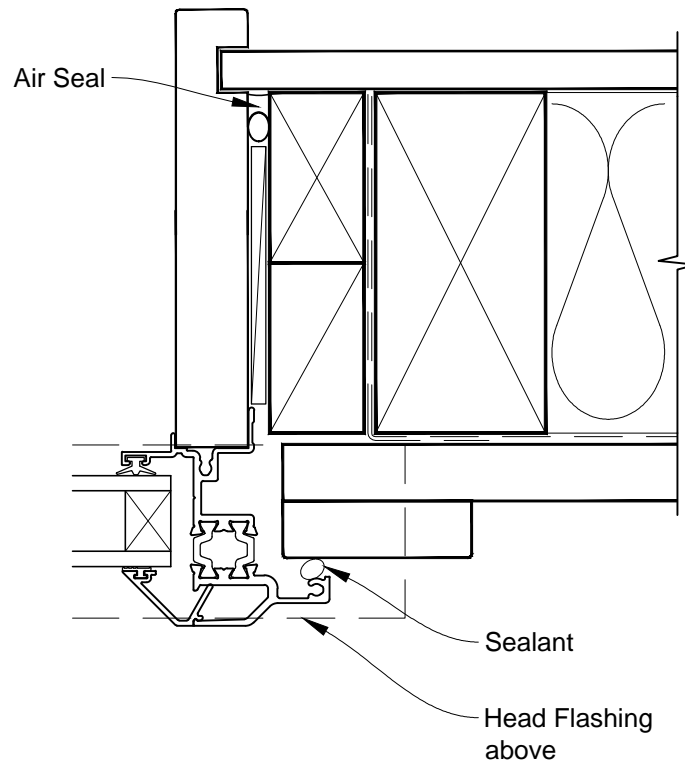


**INSTALLATION DETAIL - FIRST RESIDENTIAL THERMAL HEART  
AWNING WINDOW ON BOARD & BATTEN  
DIRECT FIXED CLADDING**

Date: 01.03.14

Scale: 1:2

CAD Ref.: FTAWBB-DJ

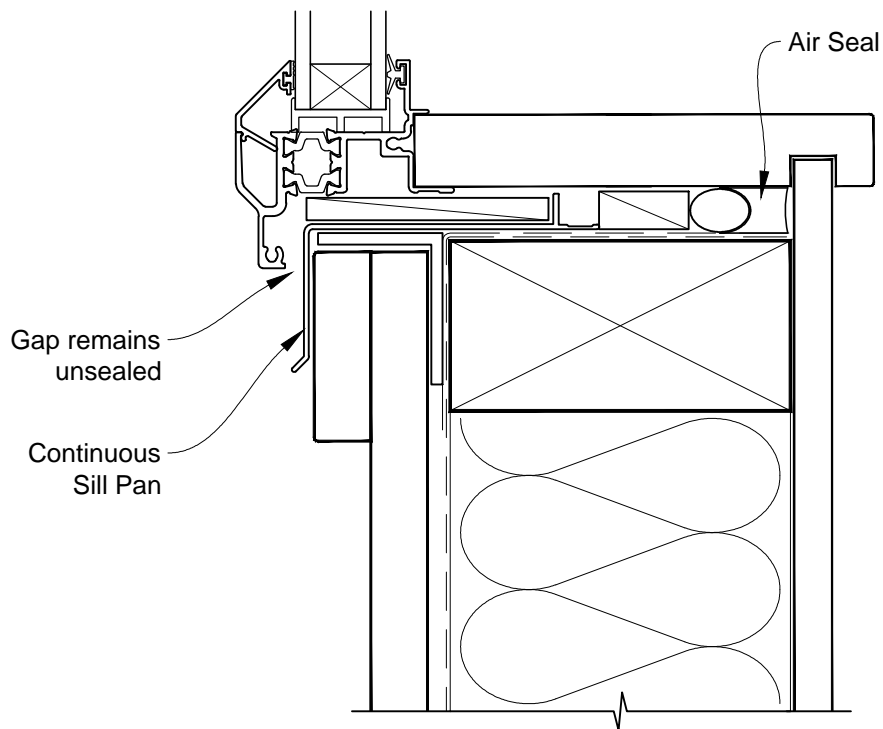


**INSTALLATION DETAIL - FIRST RESIDENTIAL THERMAL HEART  
AWNING WINDOW ON BOARD & BATTEN  
DIRECT FIXED CLADDING**

Date: 01.03.14

Scale: 1:2

CAD Ref.: FTAWBB-DS



**INSTALLATION DETAIL - FIRST RESIDENTIAL THERMAL HEART  
AWNING WINDOW ON BOARD & BATTEN  
DIRECT FIXED CLADDING**

Date: 01.03.14

Scale: 1:2

CAD Ref.: FTAWBB-DS2

