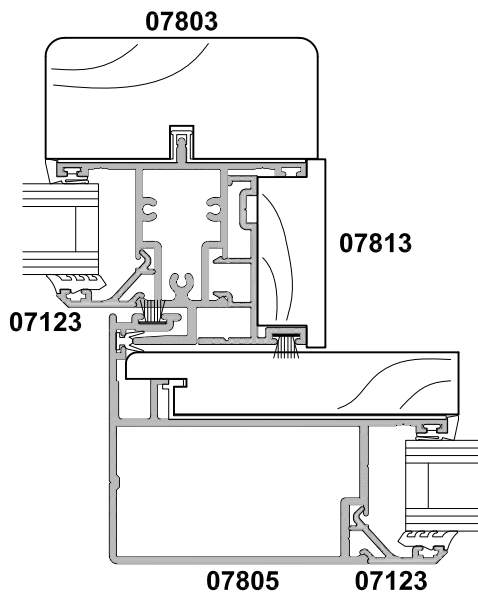
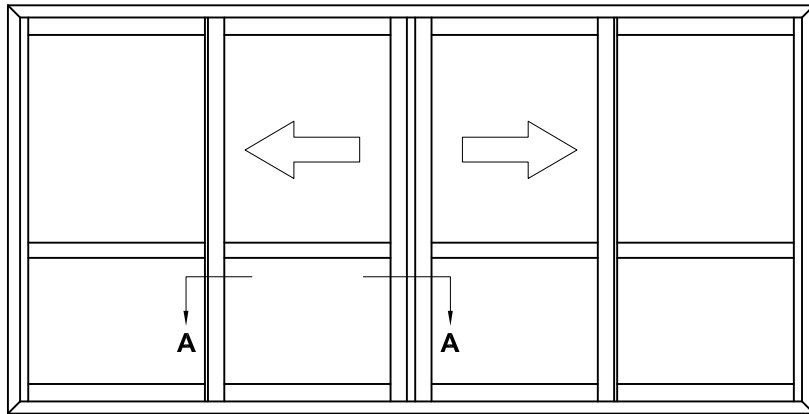




SLIDING DOOR, 4 PANEL FSSF CROSS SECTION

Cad Ref. SSD07-0 Scale 1:2 Date 01.06.11



SECTION A-A

