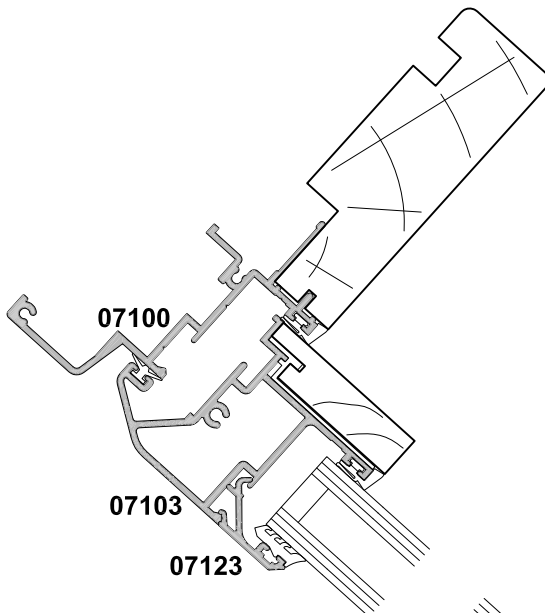
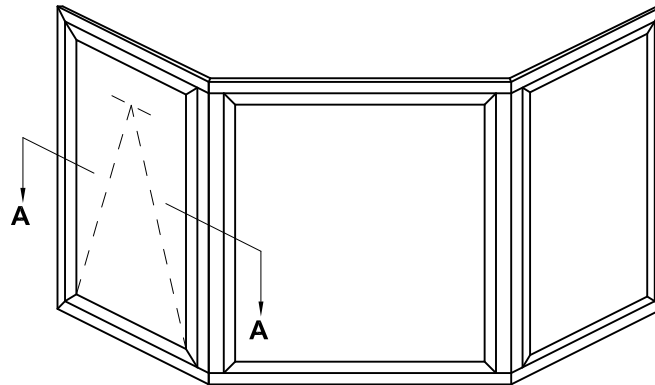


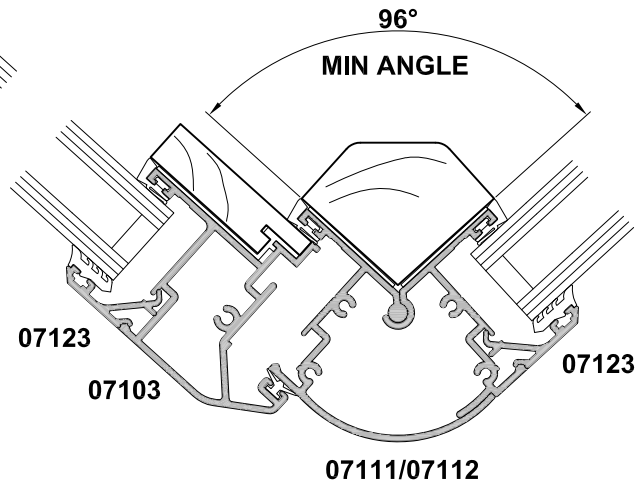


ADJUSTABLE BAY WINDOW CROSS SECTION

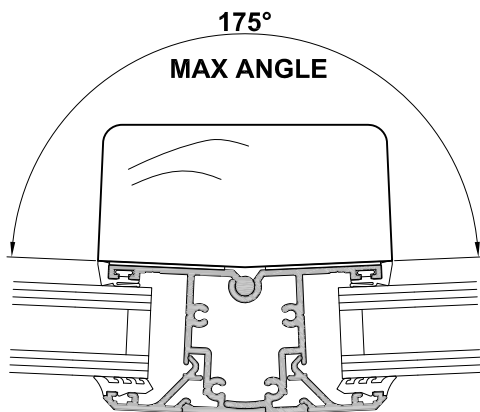
Cad Ref. SGH03-0 Scale 1:2 Date 01.06.11



SECTION A-A



ADJUSTABLE
CORNER OPTION



ADJUSTABLE
CORNER OPTION