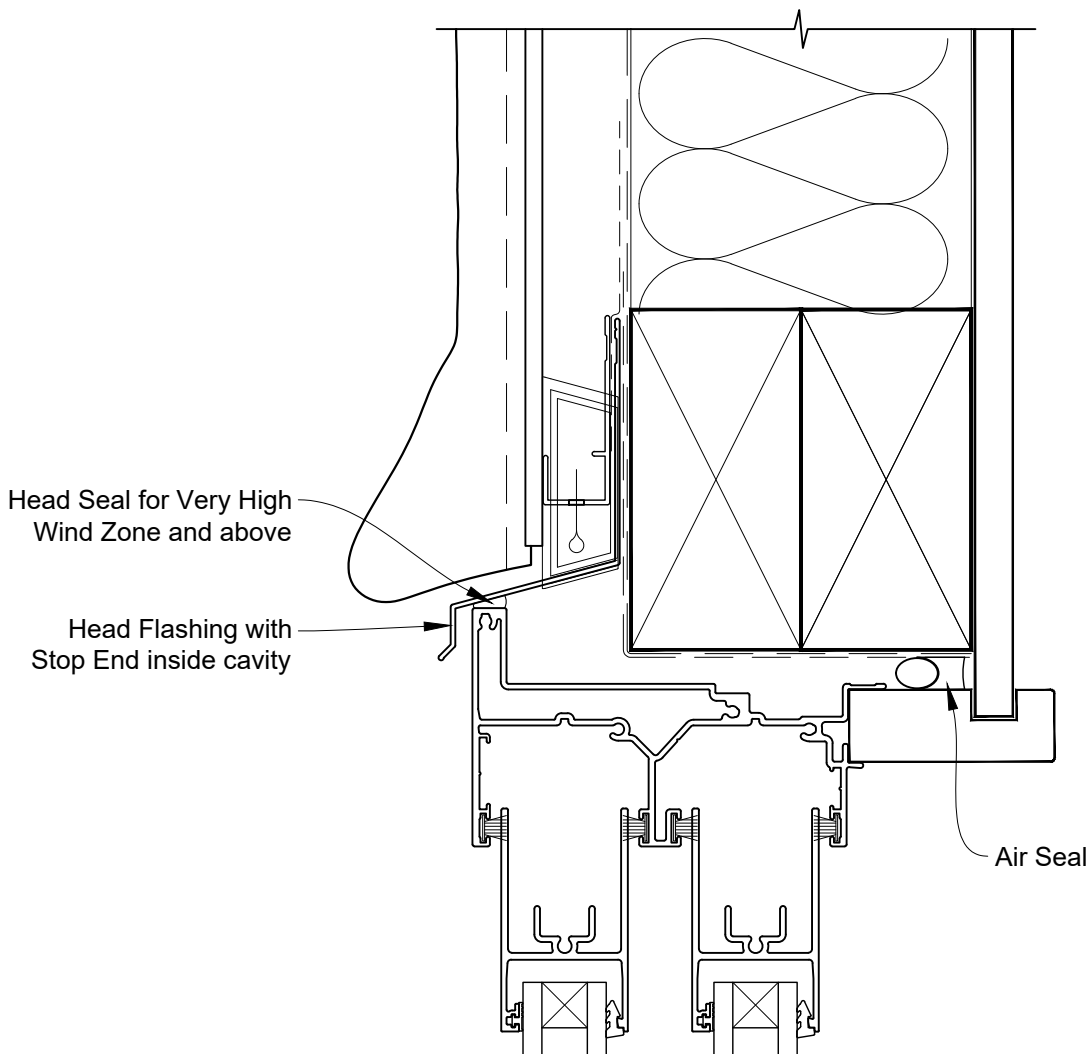


**INSTALLATION DETAIL - FIRST RESIDENTIAL
MULTISLIDER DOOR ON STUCCO
CAVITY CONSTRUCTION**

Date: 01.04.19

Scale: 1:2

CAD Ref.: FRTWST-CSH

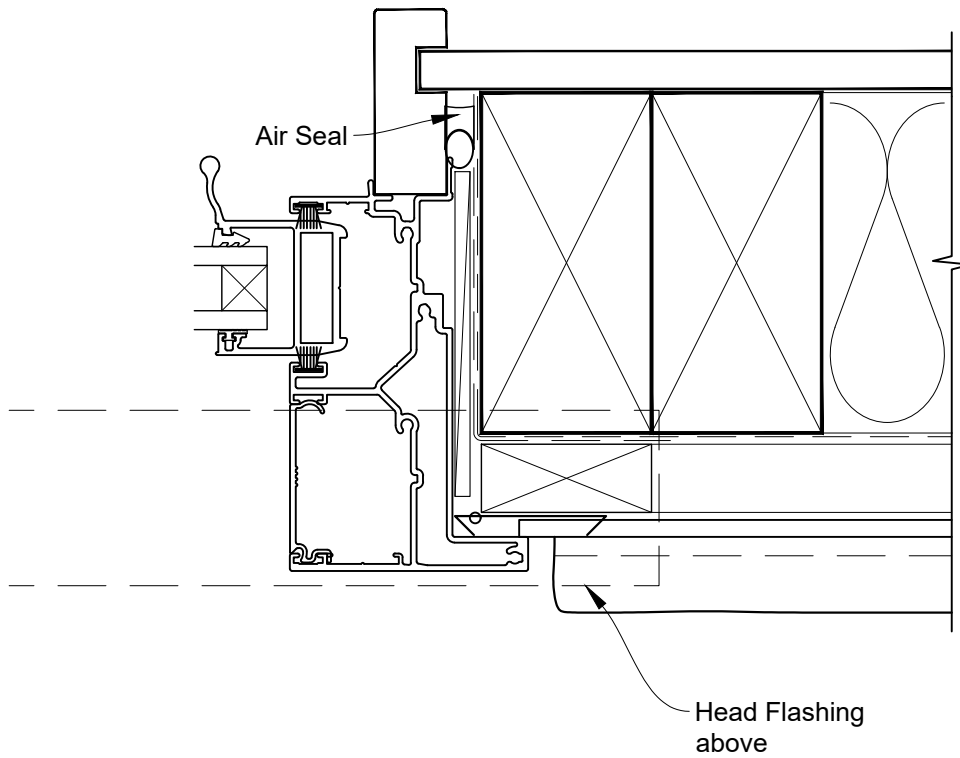


**INSTALLATION DETAIL - FIRST RESIDENTIAL
MULTISLIDER DOOR ON STUCCO
CAVITY CONSTRUCTION**

Date: 01.04.19

Scale: 1:2

CAD Ref.: FRTWST-CSJ



**INSTALLATION DETAIL - FIRST RESIDENTIAL
MULTISLIDER DOOR ON STUCCO
CAVITY CONSTRUCTION**

Date: 01.04.19

Scale: 1:2

CAD Ref.: FRTWST-CSS

