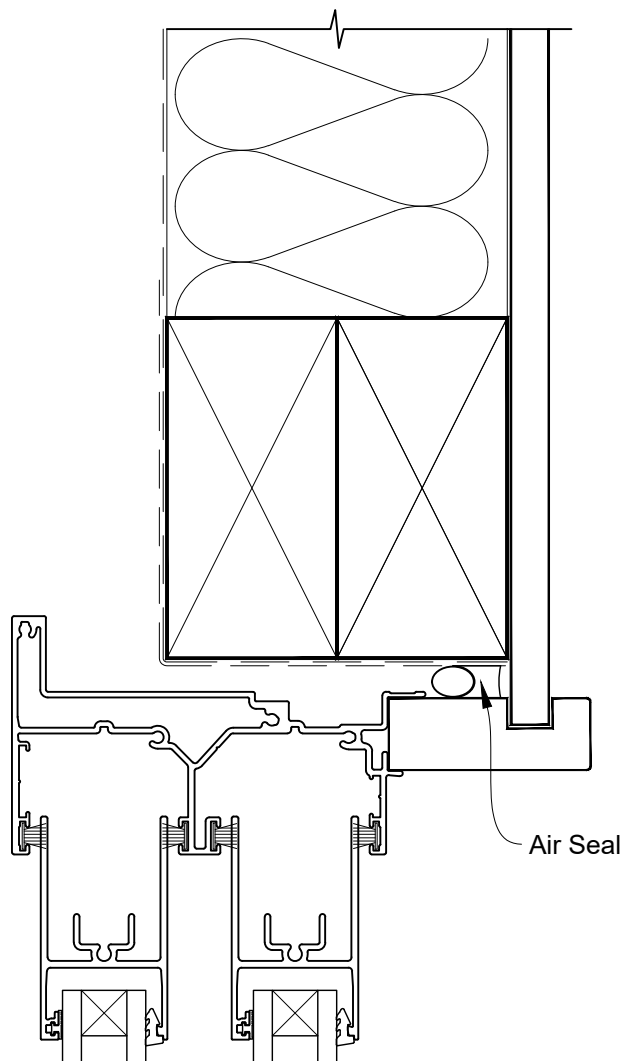


**INSTALLATION DETAIL - FIRST RESIDENTIAL  
TWIN SLIDER WINDOW ON NO CLADDING  
CAVITY CONSTRUCTION**

Date: 01.04.19

Scale: 1:2

CAD Ref.: FRTWNC-CSH

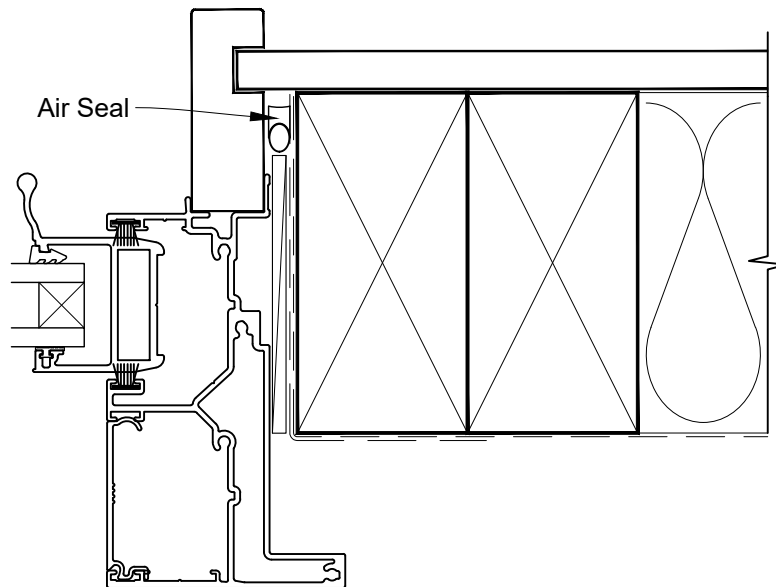


**INSTALLATION DETAIL - FIRST RESIDENTIAL  
TWIN SLIDER WINDOW ON NO CLADDING  
CAVITY CONSTRUCTION**

Date: 01.04.19

Scale: 1:2

CAD Ref.: FRTWNC-CSJ



**INSTALLATION DETAIL - FIRST RESIDENTIAL  
TWIN SLIDER WINDOW ON NO CLADDING  
CAVITY CONSTRUCTION**

Date: 01.04.19

Scale: 1:2

CAD Ref.: FRTWNC-CSS

