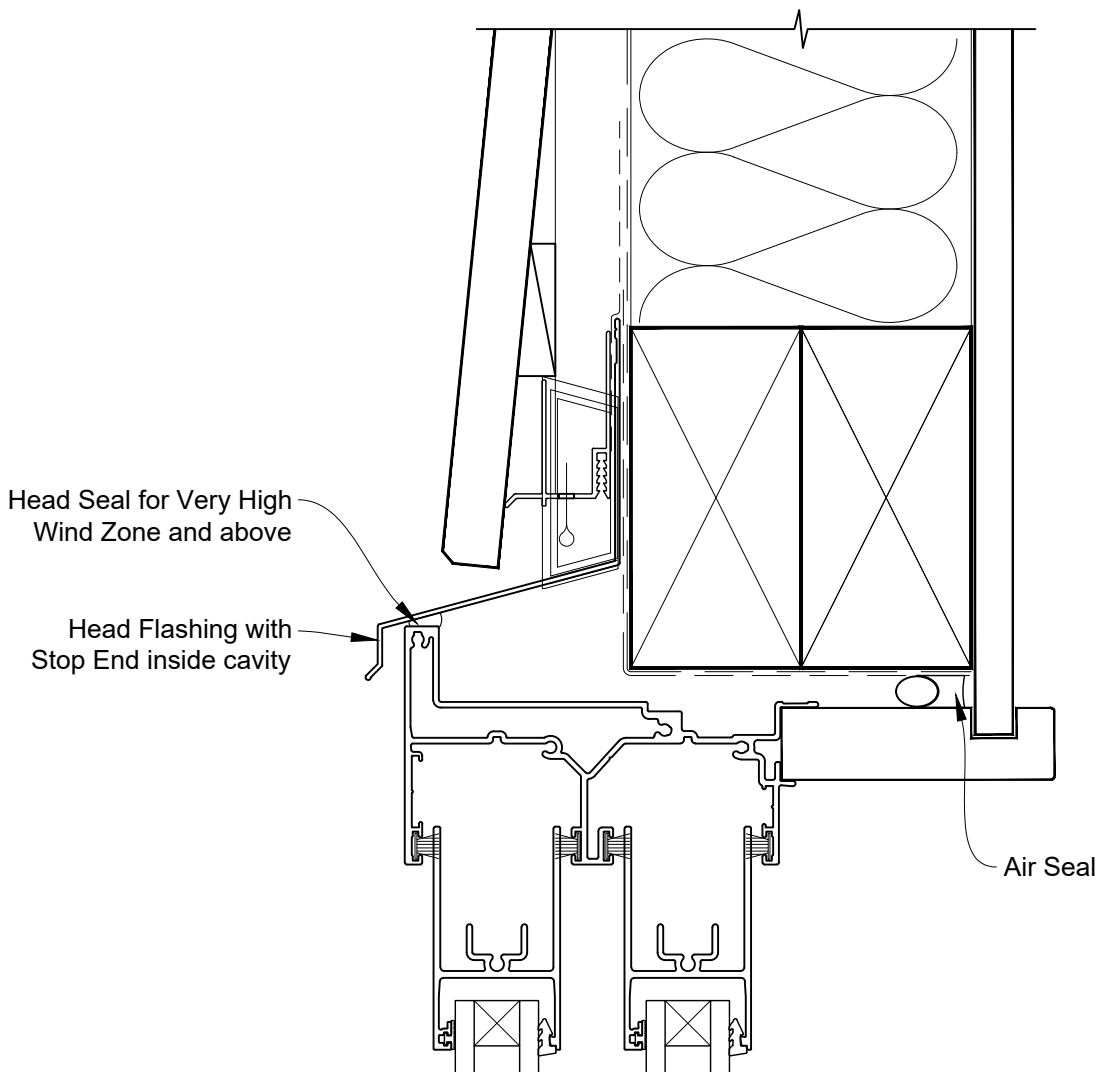


**INSTALLATION DETAIL - FIRST RESIDENTIAL
TWIN SLIDER WINDOW ON BEVELBACK
WEATHERBOARD - CAVITY CONSTRUCTION**

Date: 01.04.19

Scale: 1:2

CAD Ref.: FRTWBW-CSH

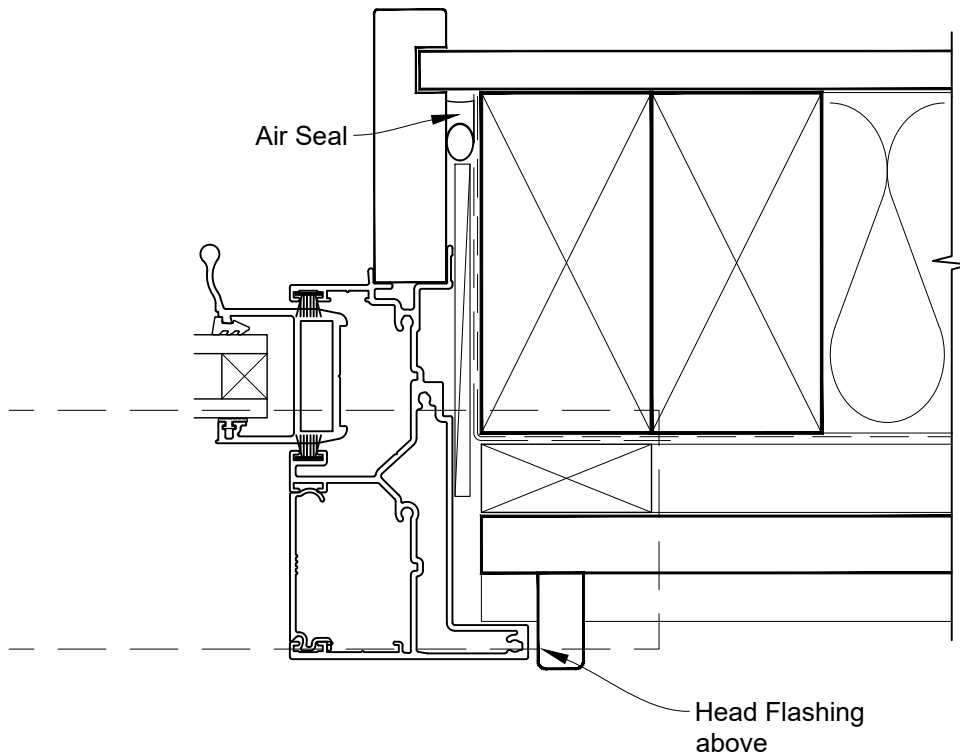


**INSTALLATION DETAIL - FIRST RESIDENTIAL
TWIN SLIDER WINDOW ON BEVELBACK
WEATHERBOARD - CAVITY CONSTRUCTION**

Date: 01.04.19

Scale: 1:2

CAD Ref.: FRTWBW-CSJ



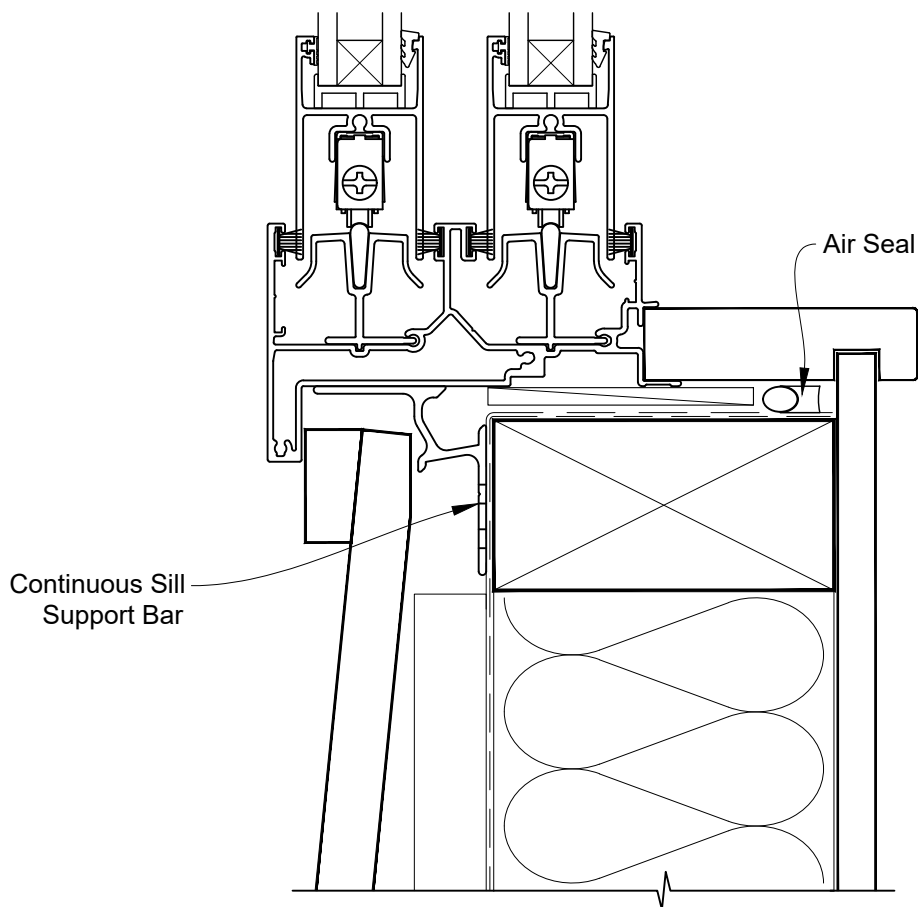


**INSTALLATION DETAIL - FIRST RESIDENTIAL
TWIN SLIDER WINDOW ON BEVELBACK
WEATHERBOARD - CAVITY CONSTRUCTION**

Date: 01.04.19

Scale: 1:2

CAD Ref.: FRTWBW-CSS

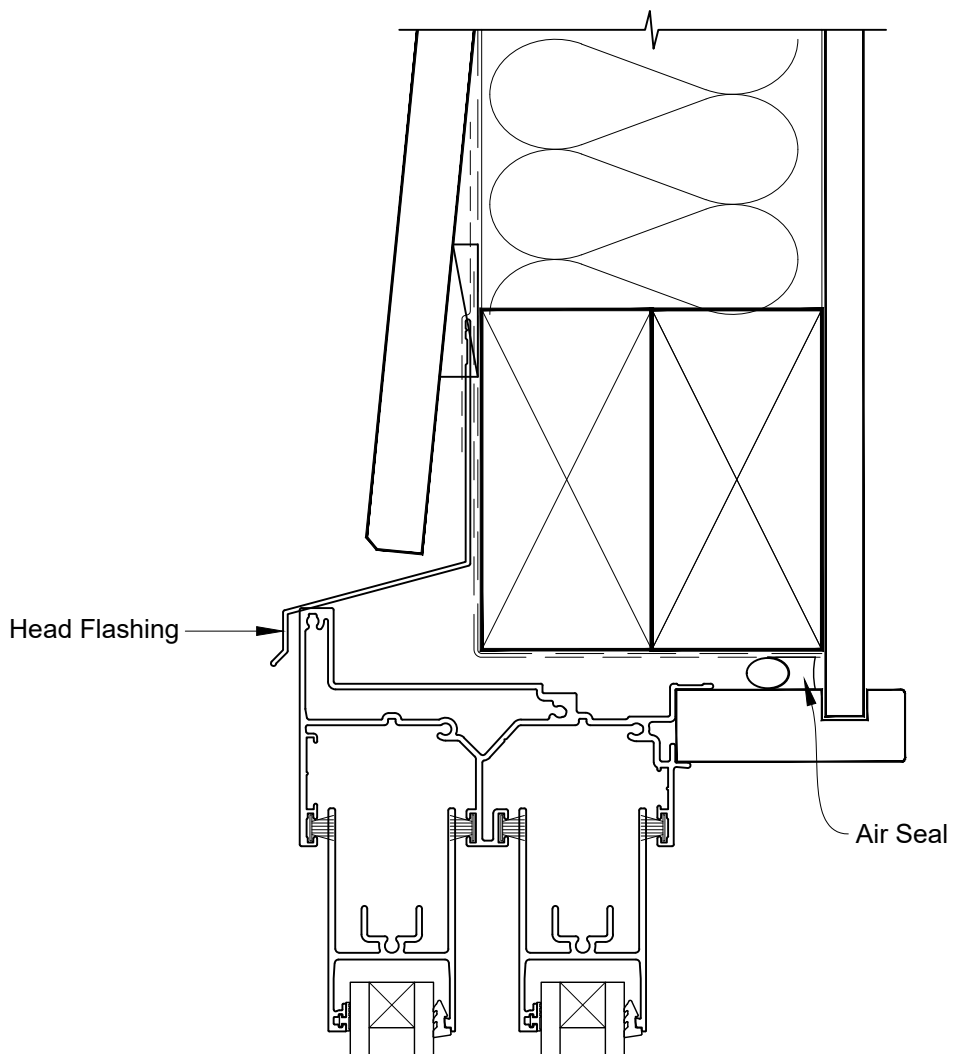


**INSTALLATION DETAIL - FIRST RESIDENTIAL
TWIN SLIDER WINDOW ON BEVELBACK
WEATHERBOARD - DIRECT FIXED CONSTRUCTION**

Date: 01.04.19

Scale: 1:2

CAD Ref.: FRTWBW-DSH

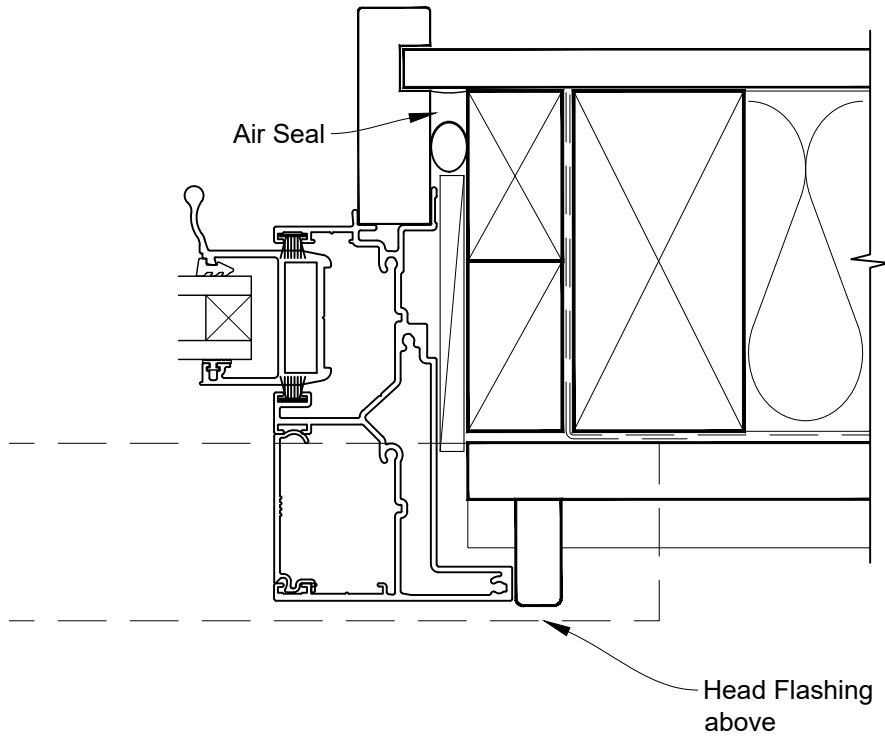


**INSTALLATION DETAIL - FIRST RESIDENTIAL
TWIN SLIDER WINDOW ON BEVELBACK
WEATHERBOARD - DIRECT FIXED CONSTRUCTION**

Date: 01.04.19

Scale: 1:2

CAD Ref.: FRTWBW-DSJ



**INSTALLATION DETAIL - FIRST RESIDENTIAL
TWIN SLIDER WINDOW ON BEVELBACK
WEATHERBOARD - DIRECT FIXED CONSTRUCTION**

Date: 01.04.19

Scale: 1:2

CAD Ref.: FRTWBW-DSS

