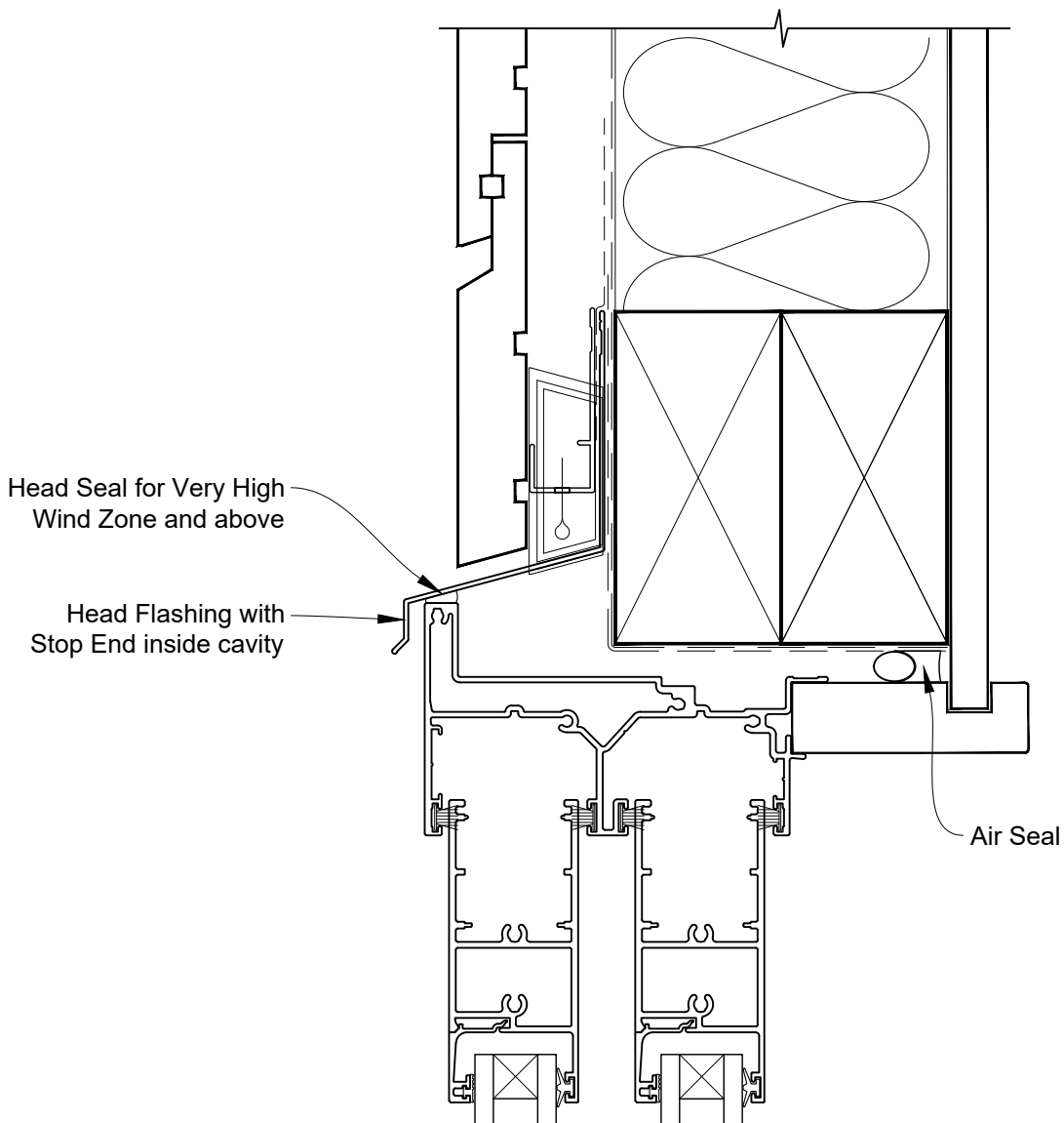


**INSTALLATION DETAIL - FIRST RESIDENTIAL  
TWIN SLIDER DOOR ON RUSTICATED WEATHERBOARD  
CAVITY CONSTRUCTION**

Date: 01.04.19

Scale: 1:2

CAD Ref.: FRTSRW-CSH

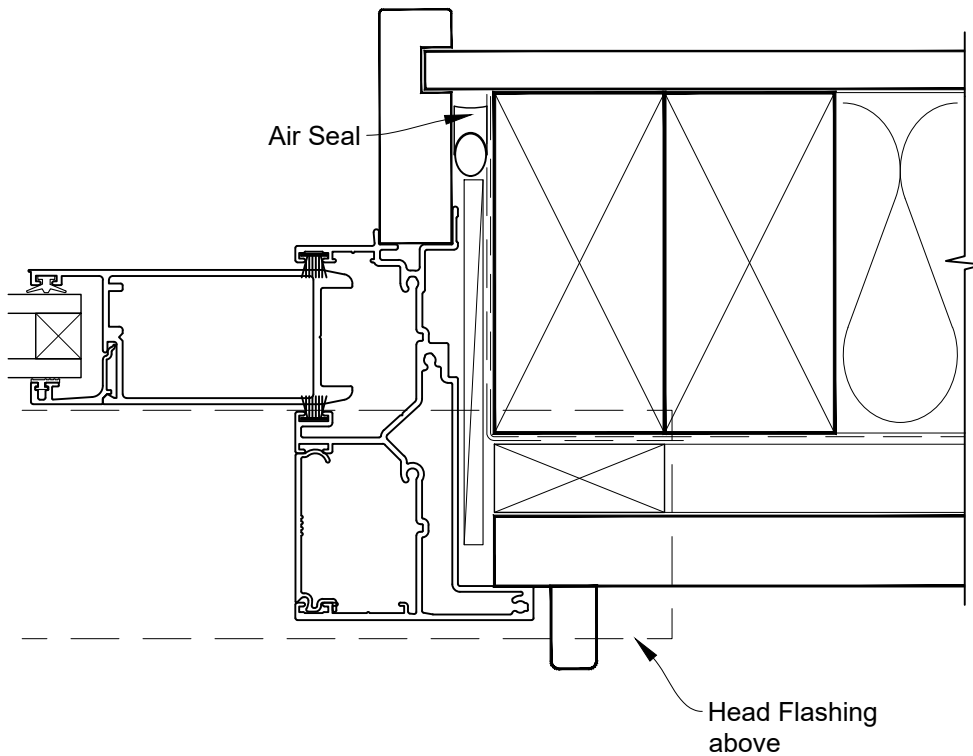


**INSTALLATION DETAIL - FIRST RESIDENTIAL  
TWIN SLIDER DOOR ON RUSTICATED WEATHERBOARD  
CAVITY CONSTRUCTION**

Date: 01.04.19

Scale: 1:2

CAD Ref.: FRTSRW-CSJ

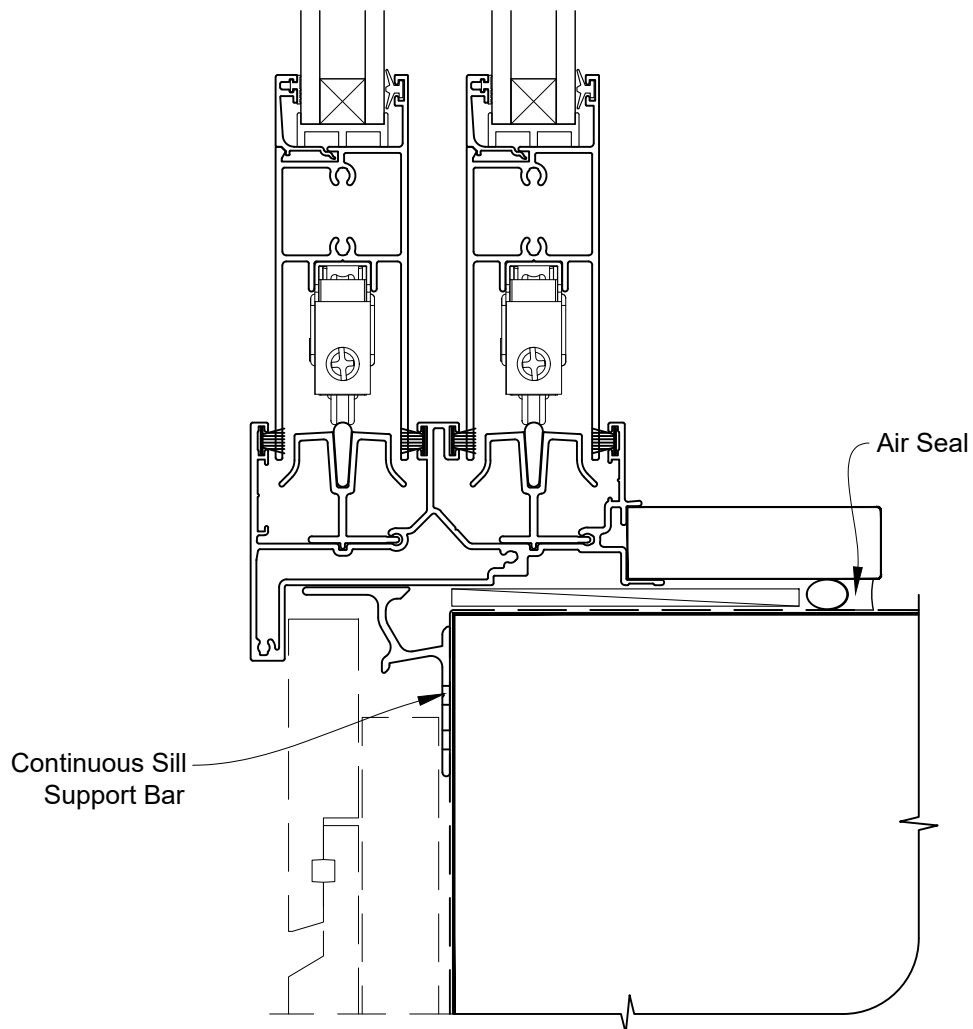


**INSTALLATION DETAIL - FIRST RESIDENTIAL  
TWIN SLIDER DOOR ON RUSTICATED WEATHERBOARD  
CAVITY CONSTRUCTION**

Date: 01.04.19

Scale: 1:2

CAD Ref.: FRTSRW-CSS

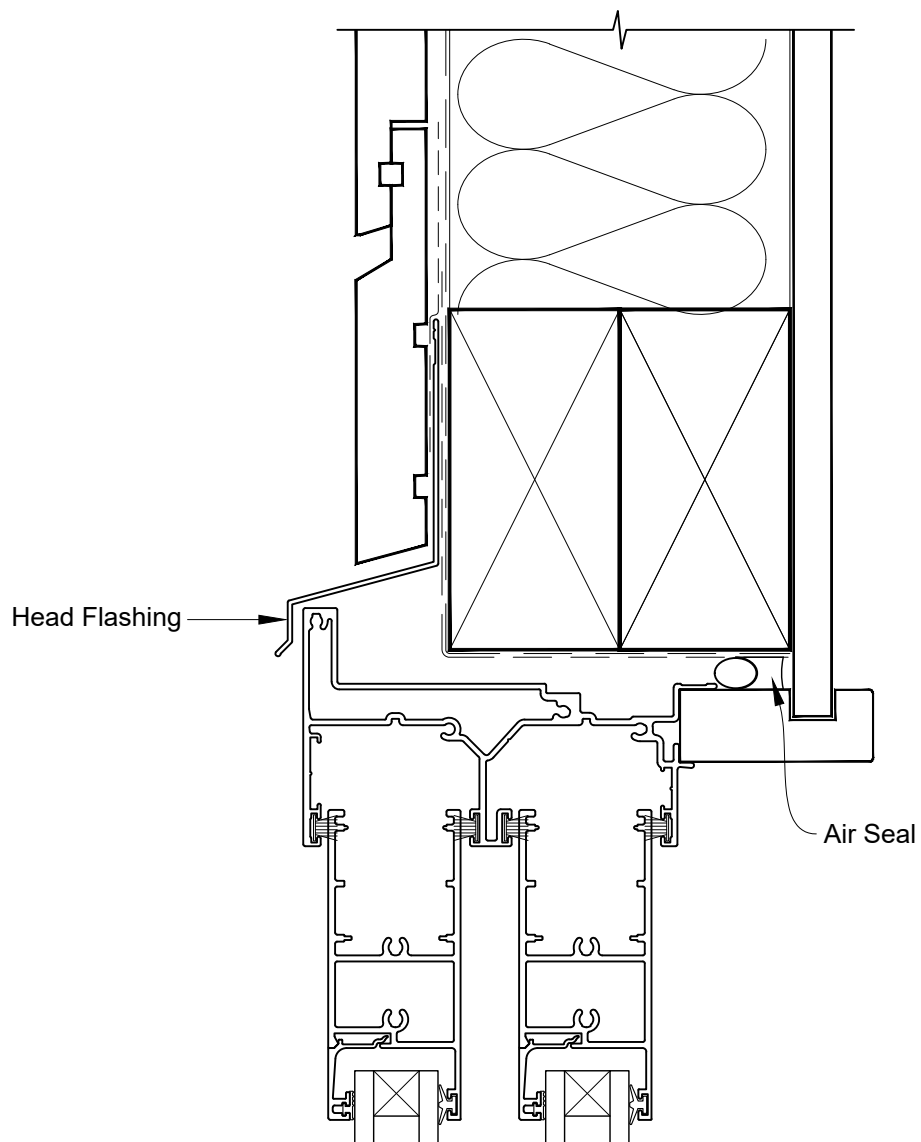


**INSTALLATION DETAIL - FIRST RESIDENTIAL  
TWIN SLIDER DOOR ON RUSTICATED WEATHERBOARD  
DIRECT FIXED CONSTRUCTION**

Date: 01.04.19

Scale: 1:2

CAD Ref.: FRTSRW-DSH

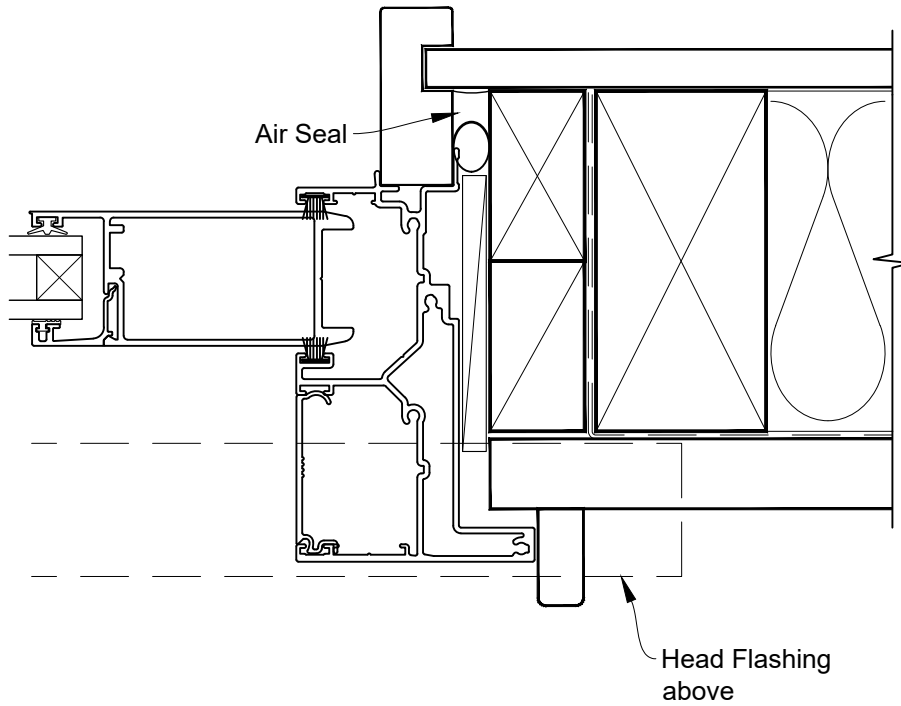


**INSTALLATION DETAIL - FIRST RESIDENTIAL  
TWIN SLIDER DOOR ON RUSTICATED WEATHERBOARD  
DIRECT FIXED CONSTRUCTION**

Date: 01.04.19

Scale: 1:2

CAD Ref.: FRTSRW-DSJ



**INSTALLATION DETAIL - FIRST RESIDENTIAL  
TWIN SLIDER DOOR ON RUSTICATED WEATHERBOARD  
DIRECT FIXED CONSTRUCTION**

Date: 01.04.19

Scale: 1:2

CAD Ref.: FRTSRW-DSS

