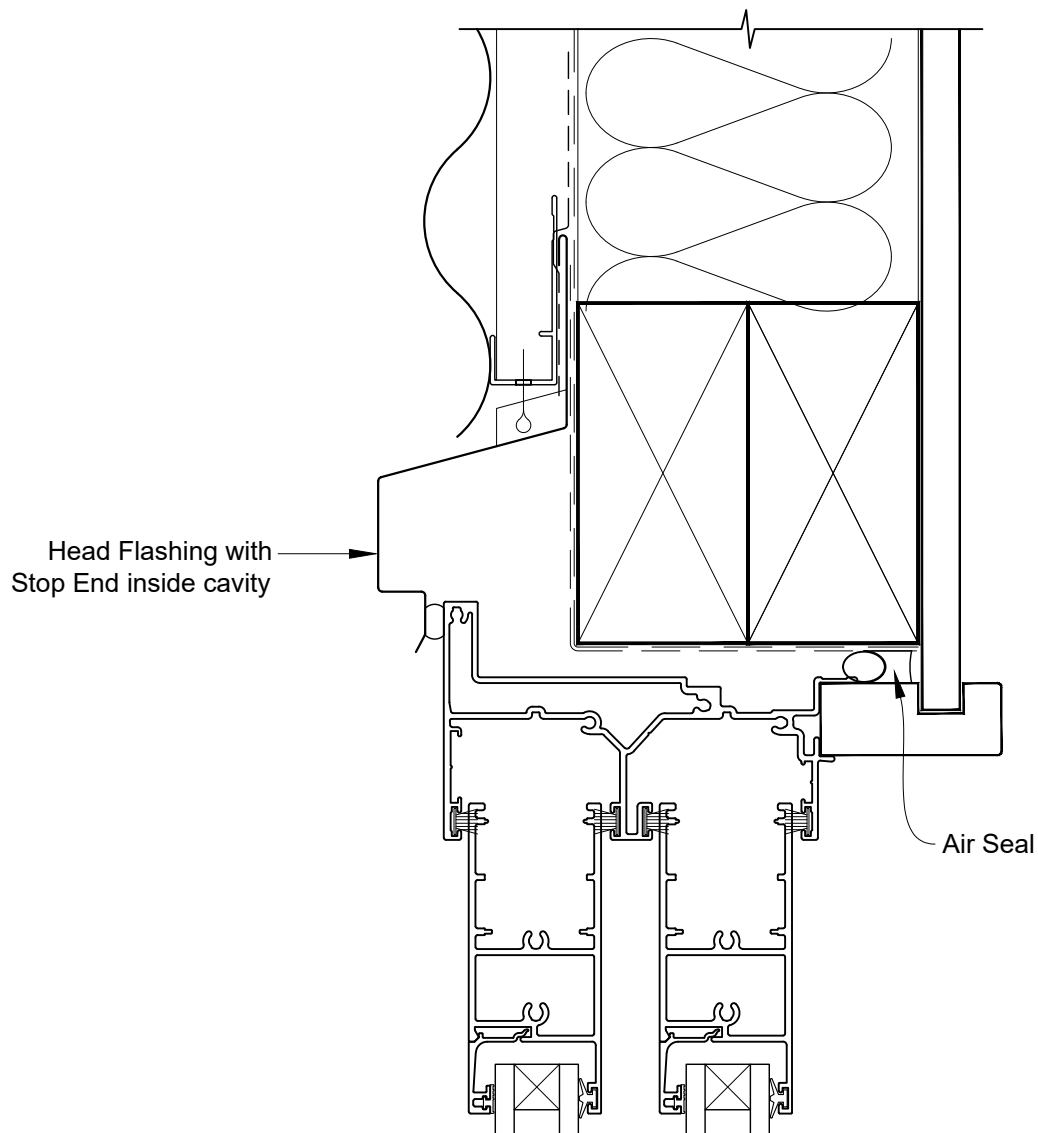


**INSTALLATION DETAIL - FIRST RESIDENTIAL
TWIN SLIDER DOOR ON PROFILE METAL
CAVITY CONSTRUCTION**

Date: 01.04.19

Scale: 1:2

CAD Ref.: FRTSPM-CSH

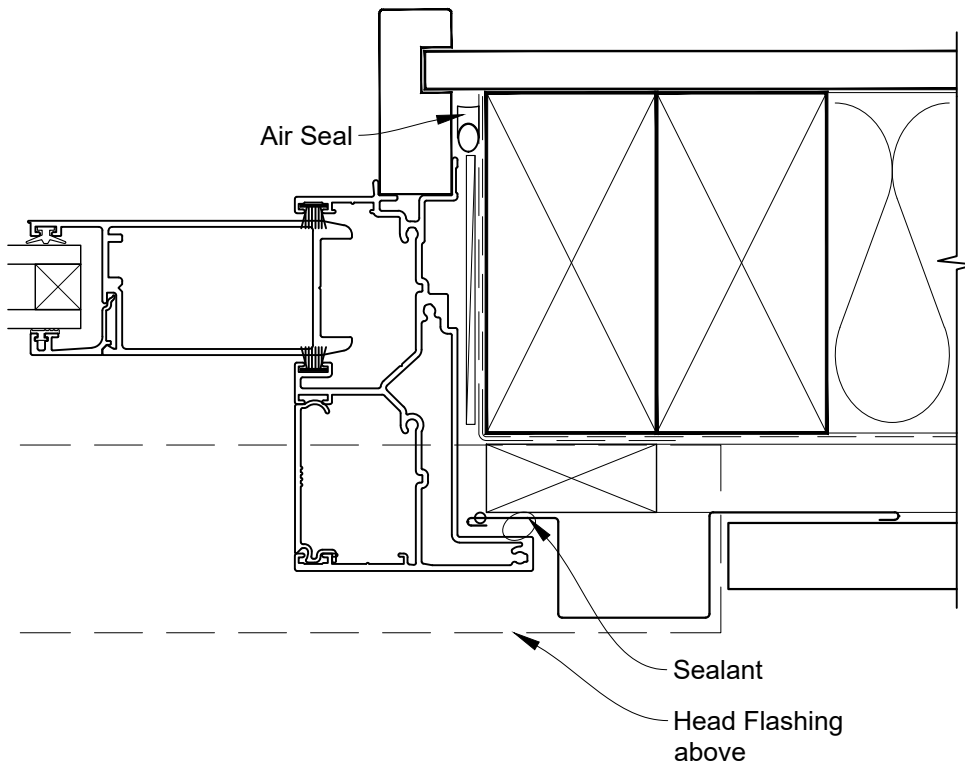


**INSTALLATION DETAIL - FIRST RESIDENTIAL
TWIN SLIDER DOOR ON PROFILE METAL
CAVITY CONSTRUCTION**

Date: 01.04.19

Scale: 1:2

CAD Ref.: FRTSPM-CSJ

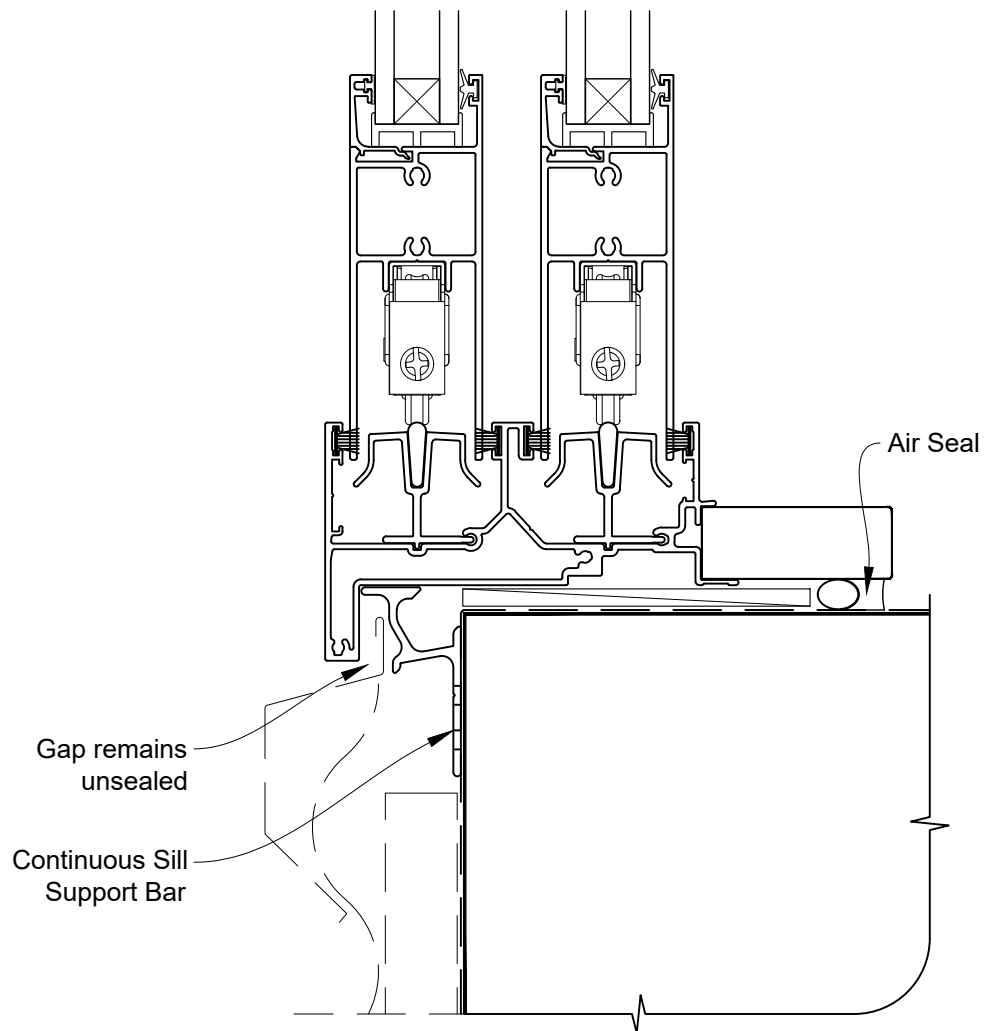


**INSTALLATION DETAIL - FIRST RESIDENTIAL
TWIN SLIDER DOOR ON PROFILE METAL
CAVITY CONSTRUCTION**

Date: 01.04.19

Scale: 1:2

CAD Ref.: FRTSPM-CSS

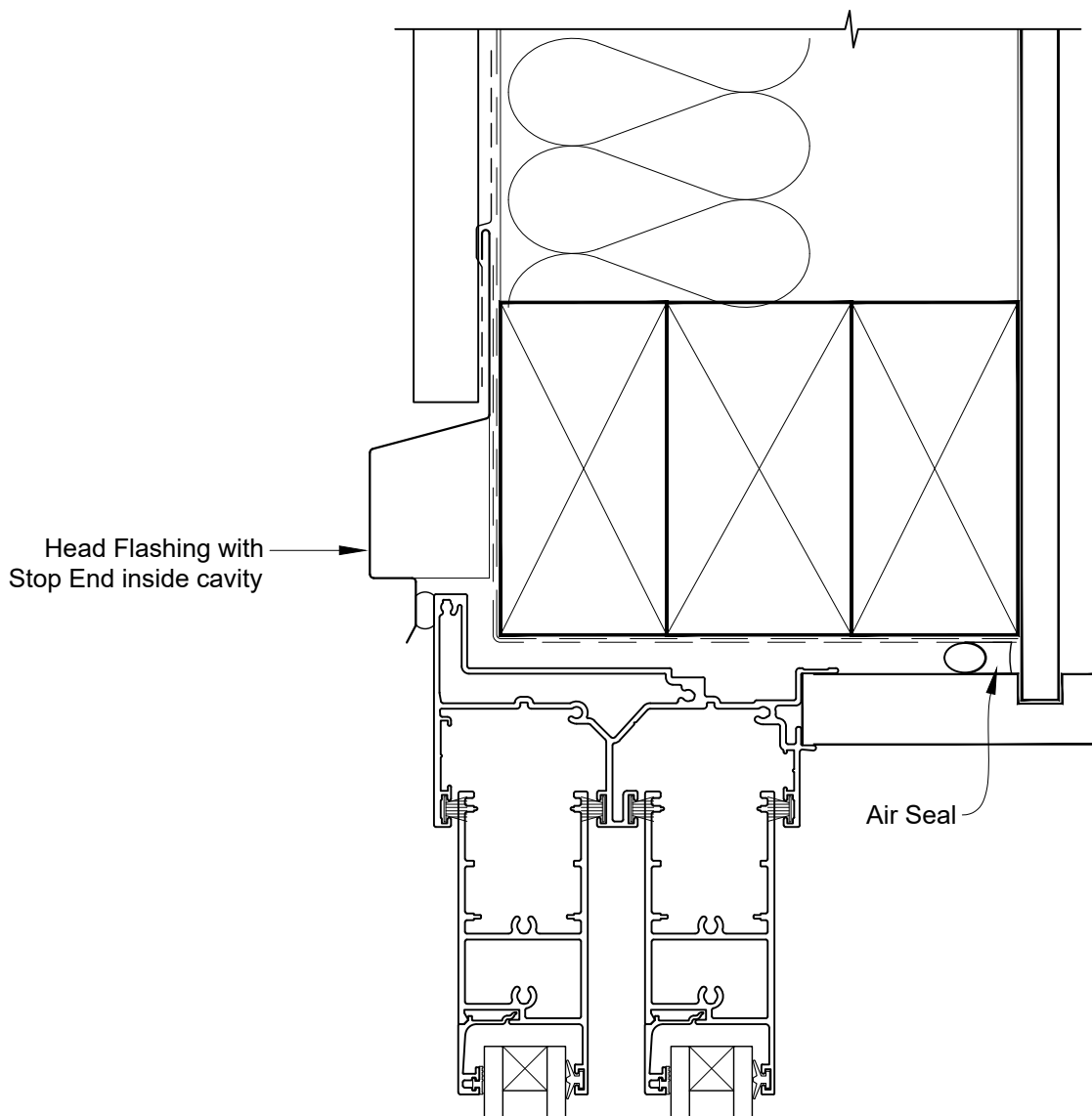


**INSTALLATION DETAIL - FIRST RESIDENTIAL
TWIN SLIDER DOOR ON PROFILE METAL
DIRECT FIXED CONSTRUCTION**

Date: 01.04.19

Scale: 1:2

CAD Ref.: FRTSPM-DSH

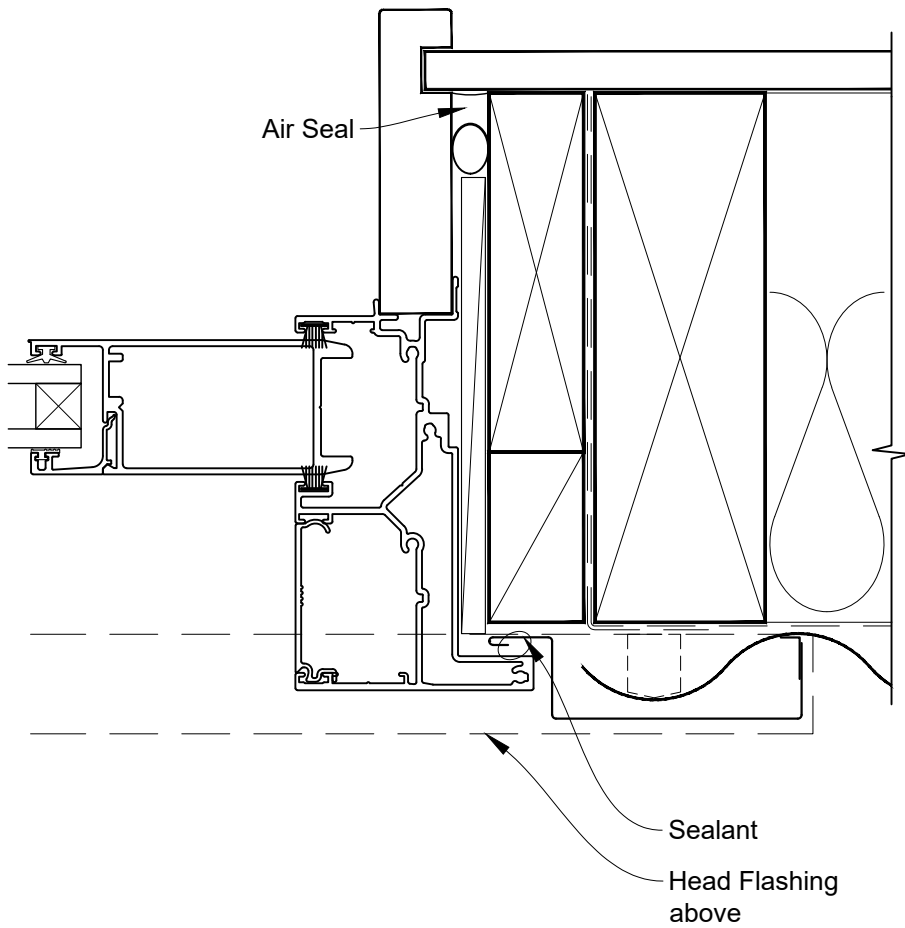


**INSTALLATION DETAIL - FIRST RESIDENTIAL
TWIN SLIDER DOOR ON PROFILE METAL
DIRECT FIXED CONSTRUCTION**

Date: 01.04.19

Scale: 1:2

CAD Ref.: FRTSPM-DSJ



**INSTALLATION DETAIL - FIRST RESIDENTIAL
TWIN SLIDER DOOR ON PROFILE METAL
DIRECT FIXED CONSTRUCTION**

Date: 01.04.19

Scale: 1:2

CAD Ref.: FRTSPM-DSS

