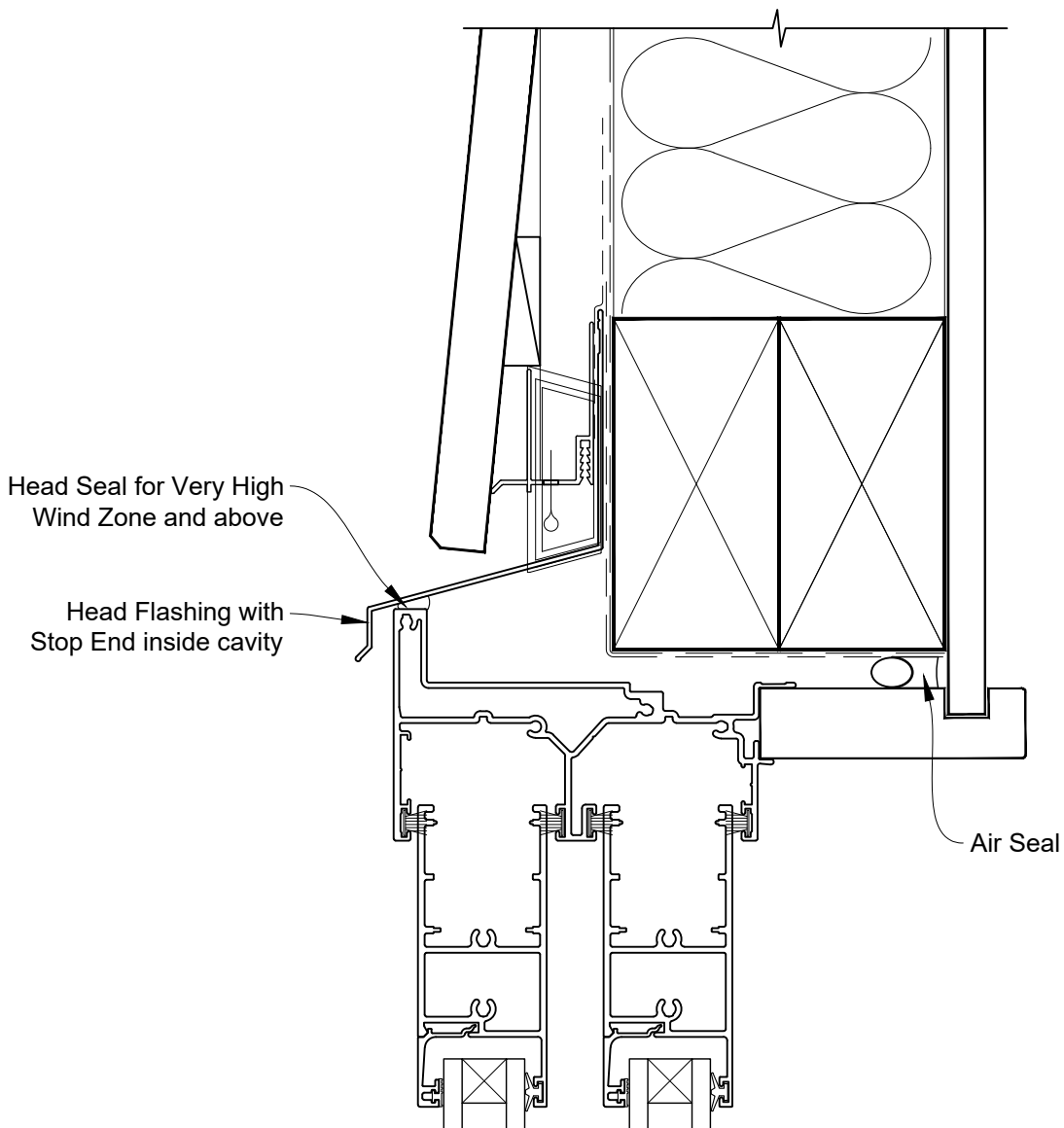


**INSTALLATION DETAIL - FIRST RESIDENTIAL
TWIN SLIDER DOOR ON BEVELBACK WEATHERBOARD
CAVITY CONSTRUCTION**

Date: 01.04.19

Scale: 1:2

CAD Ref.: FRTSBW-CSH

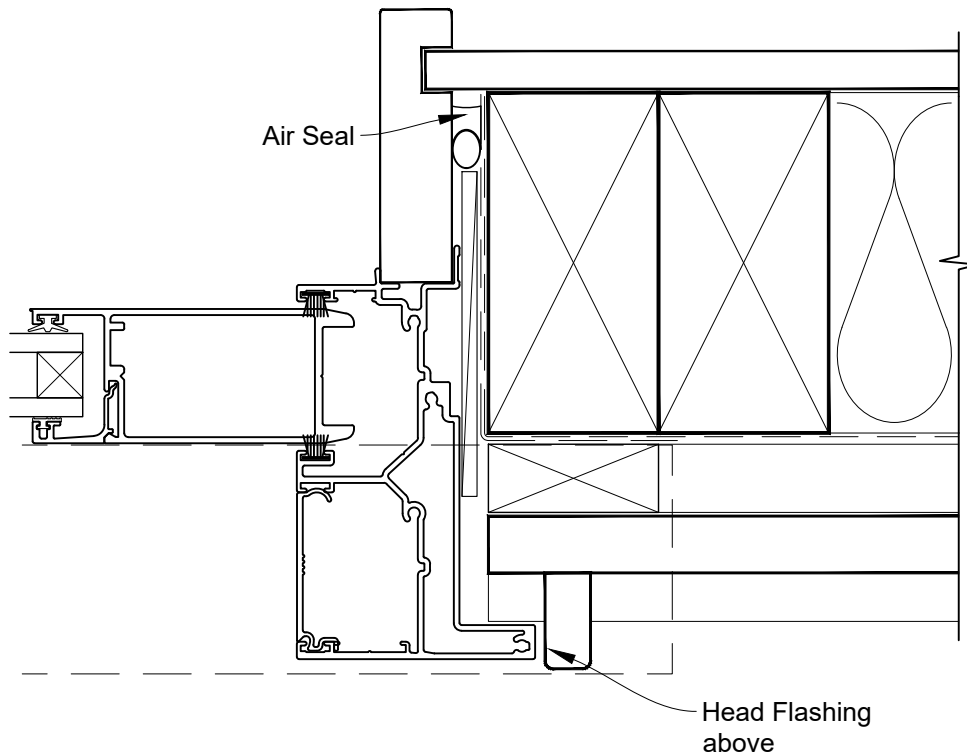


**INSTALLATION DETAIL - FIRST RESIDENTIAL
TWIN SLIDER DOOR ON BEVELBACK WEATHERBOARD
CAVITY CONSTRUCTION**

Date: 01.04.19

Scale: 1:2

CAD Ref.: FRTSBW-CSJ

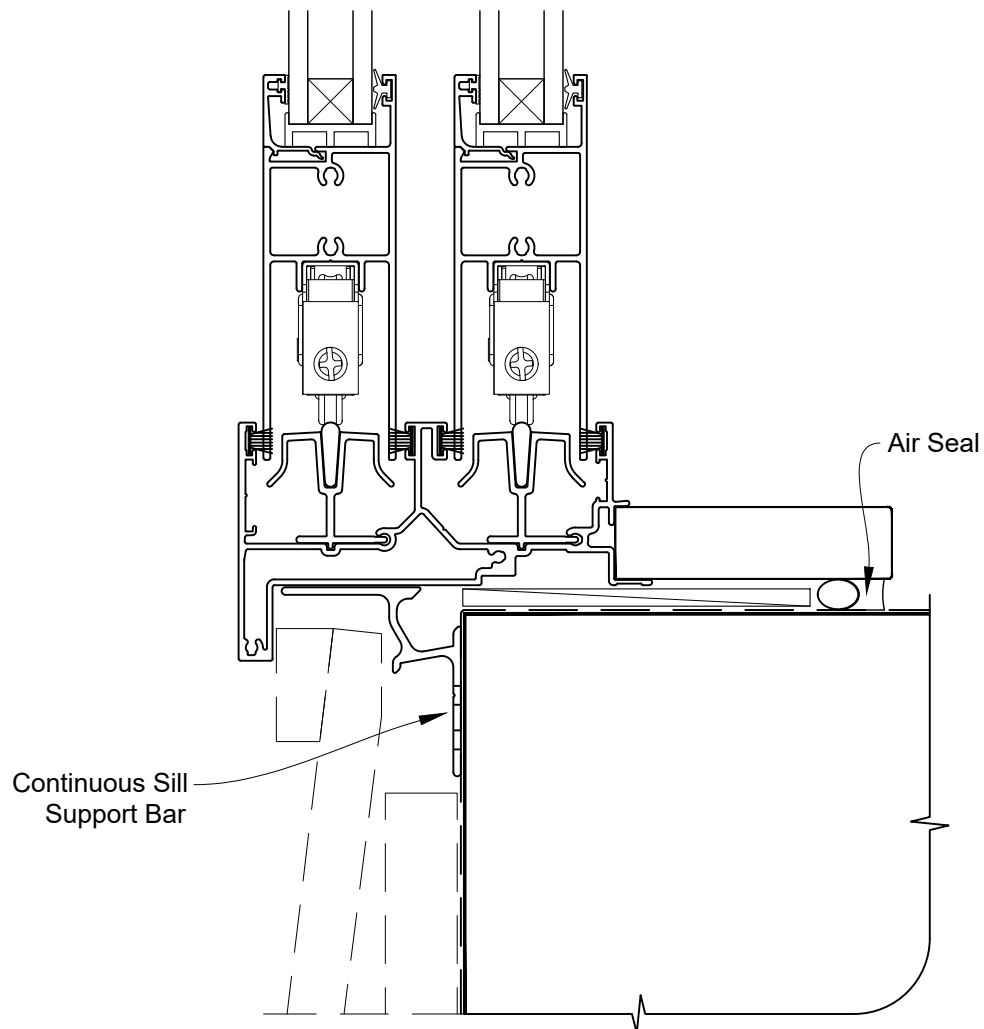


**INSTALLATION DETAIL - FIRST RESIDENTIAL
TWIN SLIDER DOOR ON BEVELBACK WEATHERBOARD
CAVITY CONSTRUCTION**

Date: 01.04.19

Scale: 1:2

CAD Ref.: FRTSBW-CSS

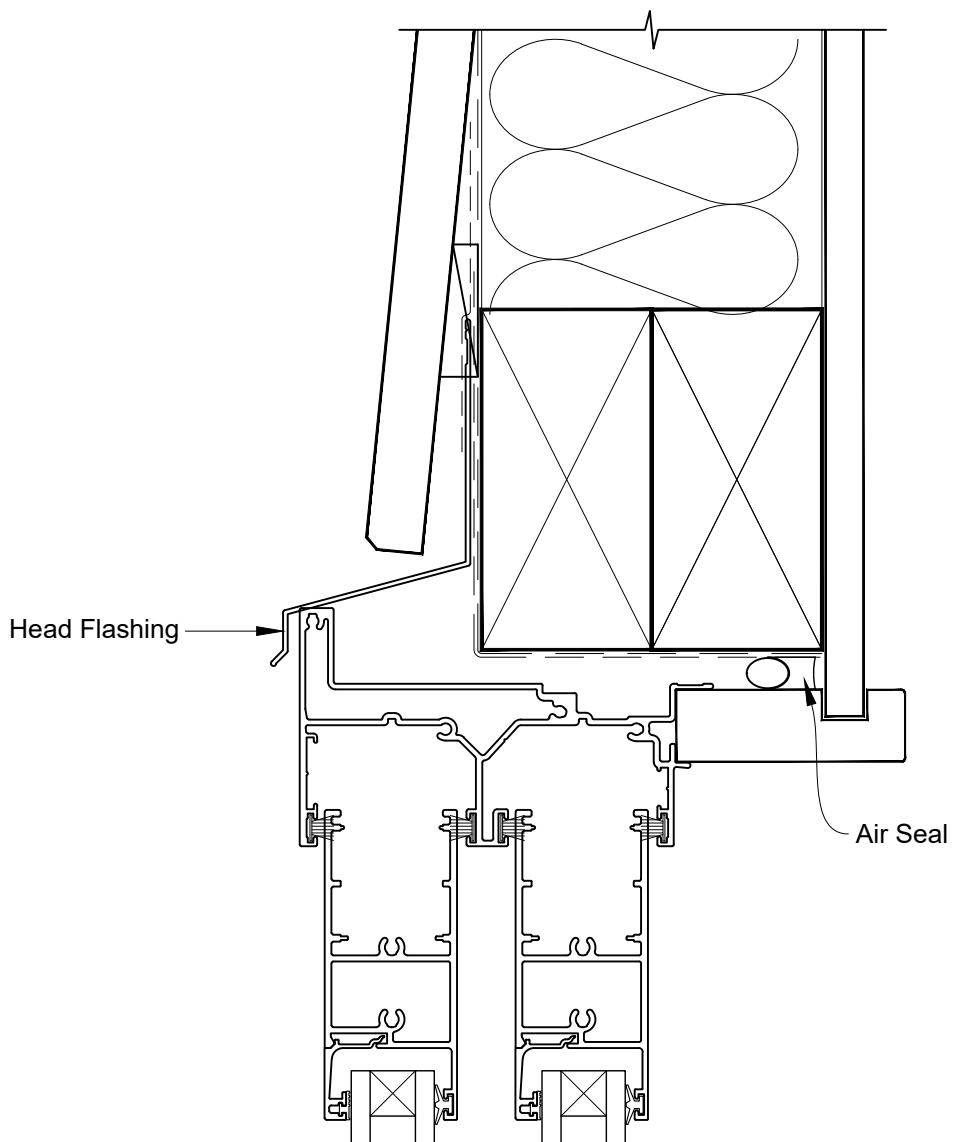


**INSTALLATION DETAIL - FIRST RESIDENTIAL
TWIN SLIDER DOOR ON BEVELBACK WEATHERBOARD
DIRECT FIXED CONSTRUCTION**

Date: 01.04.19

Scale: 1:2

CAD Ref.: FRTSBW-DSH

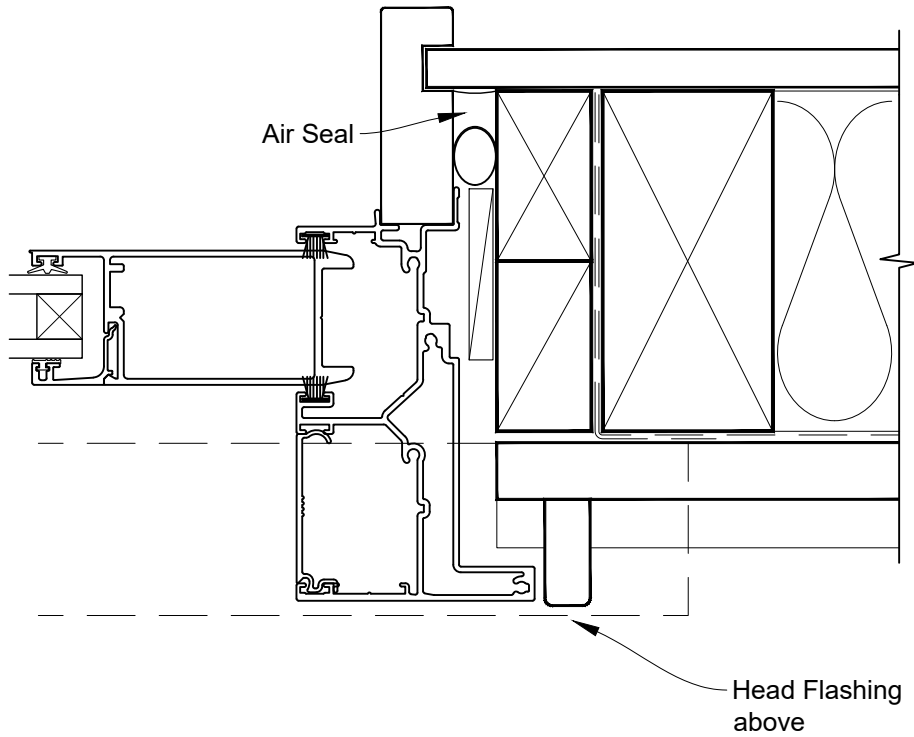


**INSTALLATION DETAIL - FIRST RESIDENTIAL
TWIN SLIDER DOOR ON BEVELBACK WEATHERBOARD
DIRECT FIXED CONSTRUCTION**

Date: 01.04.19

Scale: 1:2

CAD Ref.: FRTSBW-DSJ



**INSTALLATION DETAIL - FIRST RESIDENTIAL
TWIN SLIDER DOOR ON BEVELBACK WEATHERBOARD
DIRECT FIXED CONSTRUCTION**

Date: 01.04.19

Scale: 1:2

CAD Ref.: FRTSBW-DSS

