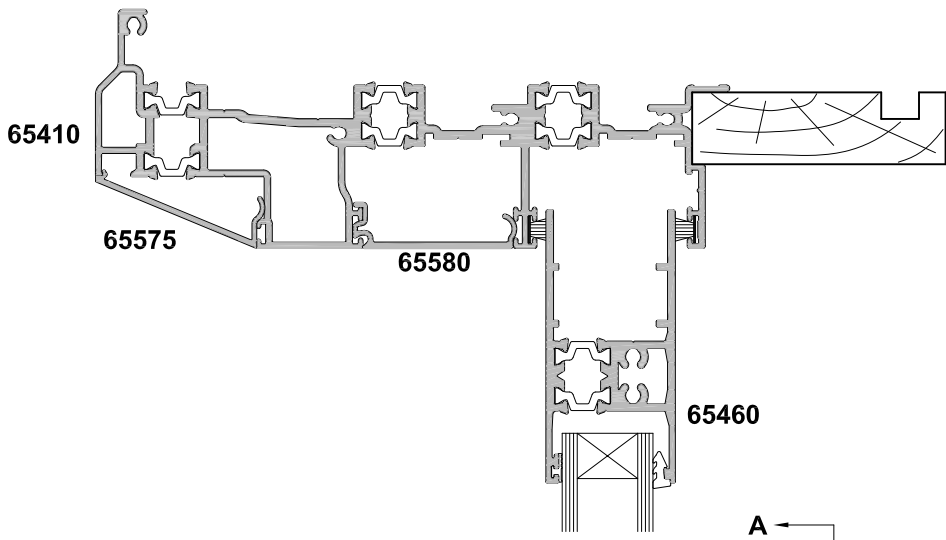


**CROSS SECTION**

Date 30.01.18 Scale 1:2



**SECTION A-A**

