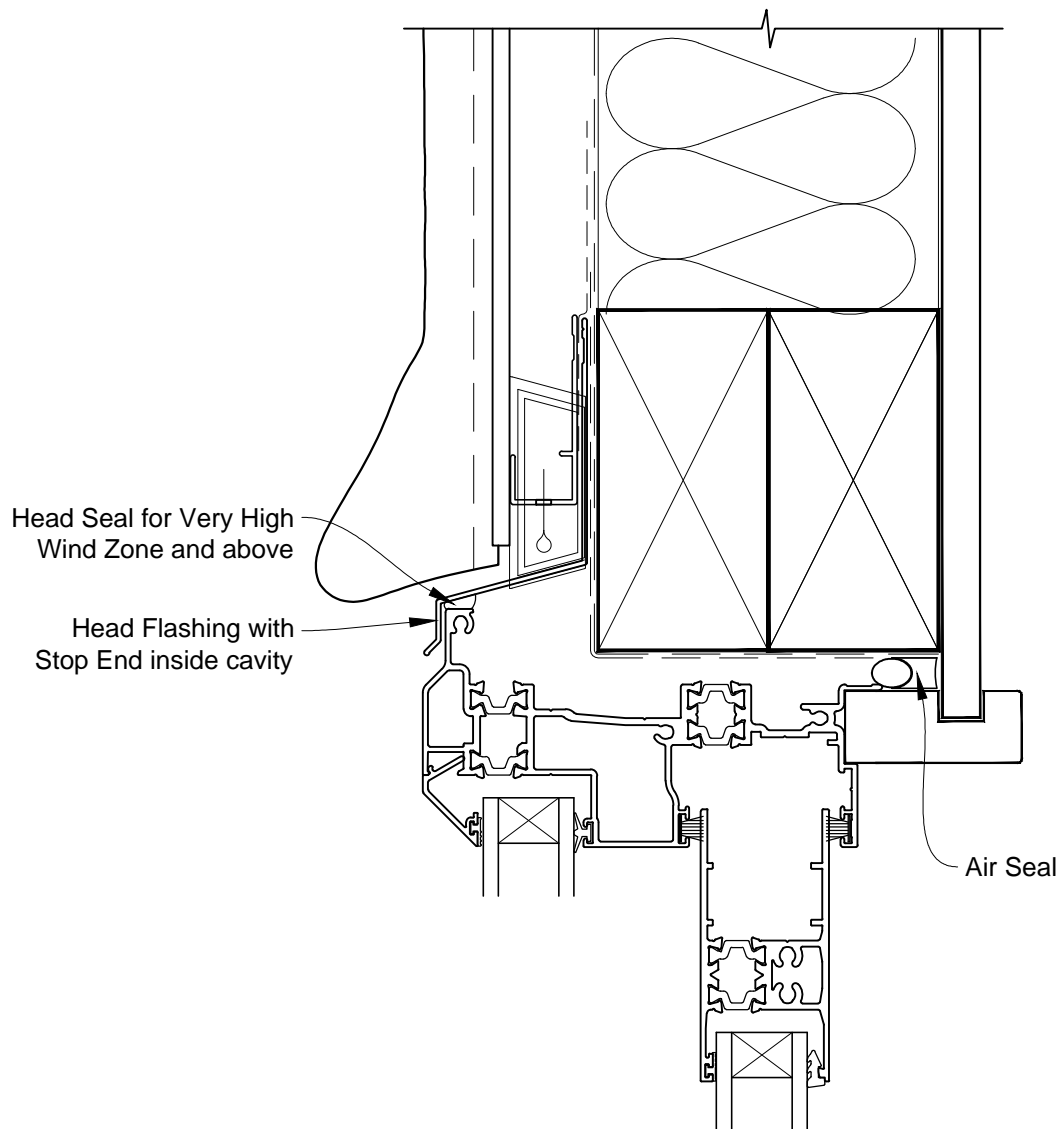


**INSTALLATION DETAIL - FIRST RESIDENTIAL THERMAL HEART  
SLIDING WINDOW ON STUCCO  
CAVITY CONSTRUCTION**

Date: 01.03.14

Scale: 1:2

CAD Ref.: FTSWST-CH

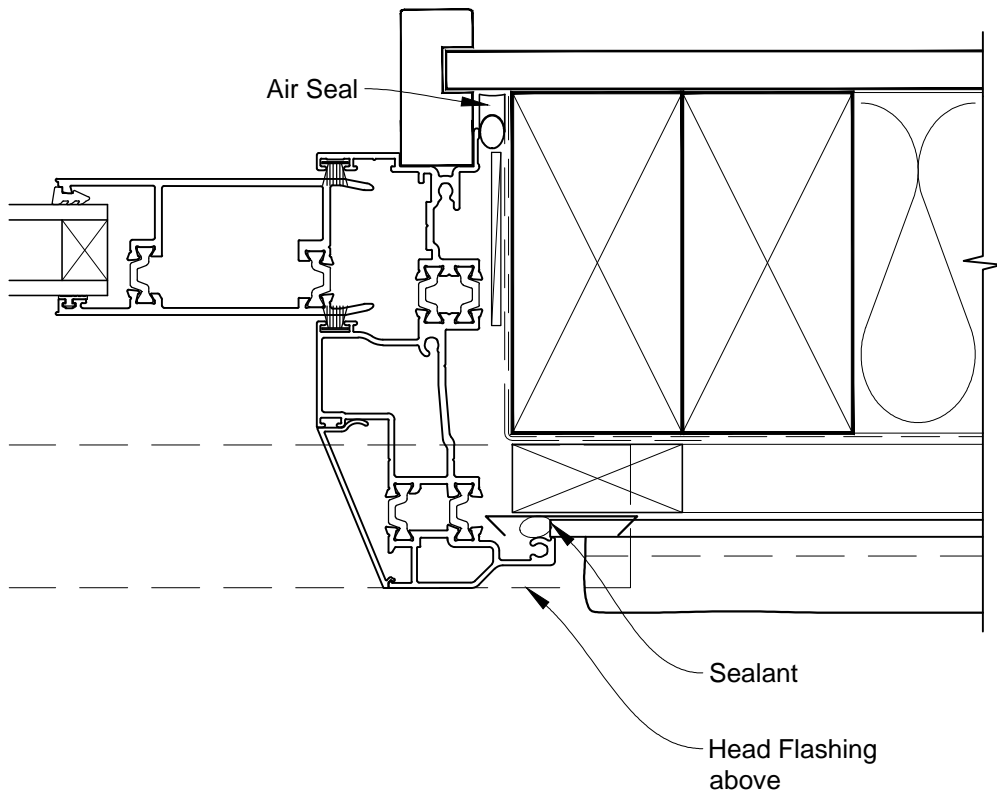


**INSTALLATION DETAIL - FIRST RESIDENTIAL THERMAL HEART  
SLIDING WINDOW ON STUCCO  
CAVITY CONSTRUCTION**

Date: 01.03.14

Scale: 1:2

CAD Ref.: FTSWST-CJ

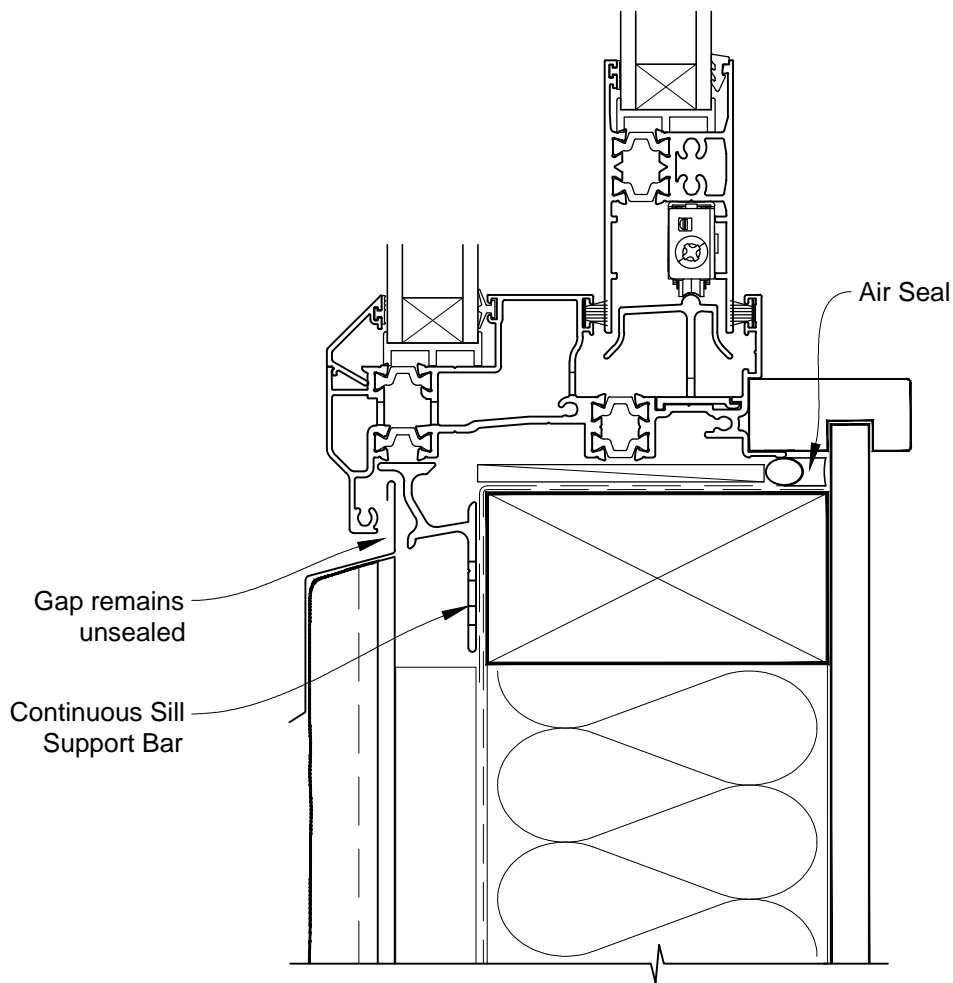


**INSTALLATION DETAIL - FIRST RESIDENTIAL THERMAL HEART  
SLIDING WINDOW ON STUCCO  
CAVITY CONSTRUCTION**

Date: 01.03.14

Scale: 1:2

CAD Ref.: FTSWST-CS



**INSTALLATION DETAIL - FIRST RESIDENTIAL THERMAL HEART  
SLIDING WINDOW ON STUCCO  
CAVITY CONSTRUCTION**

Date: 01.03.14

Scale: 1:2

CAD Ref.: FTSWST-CS2

