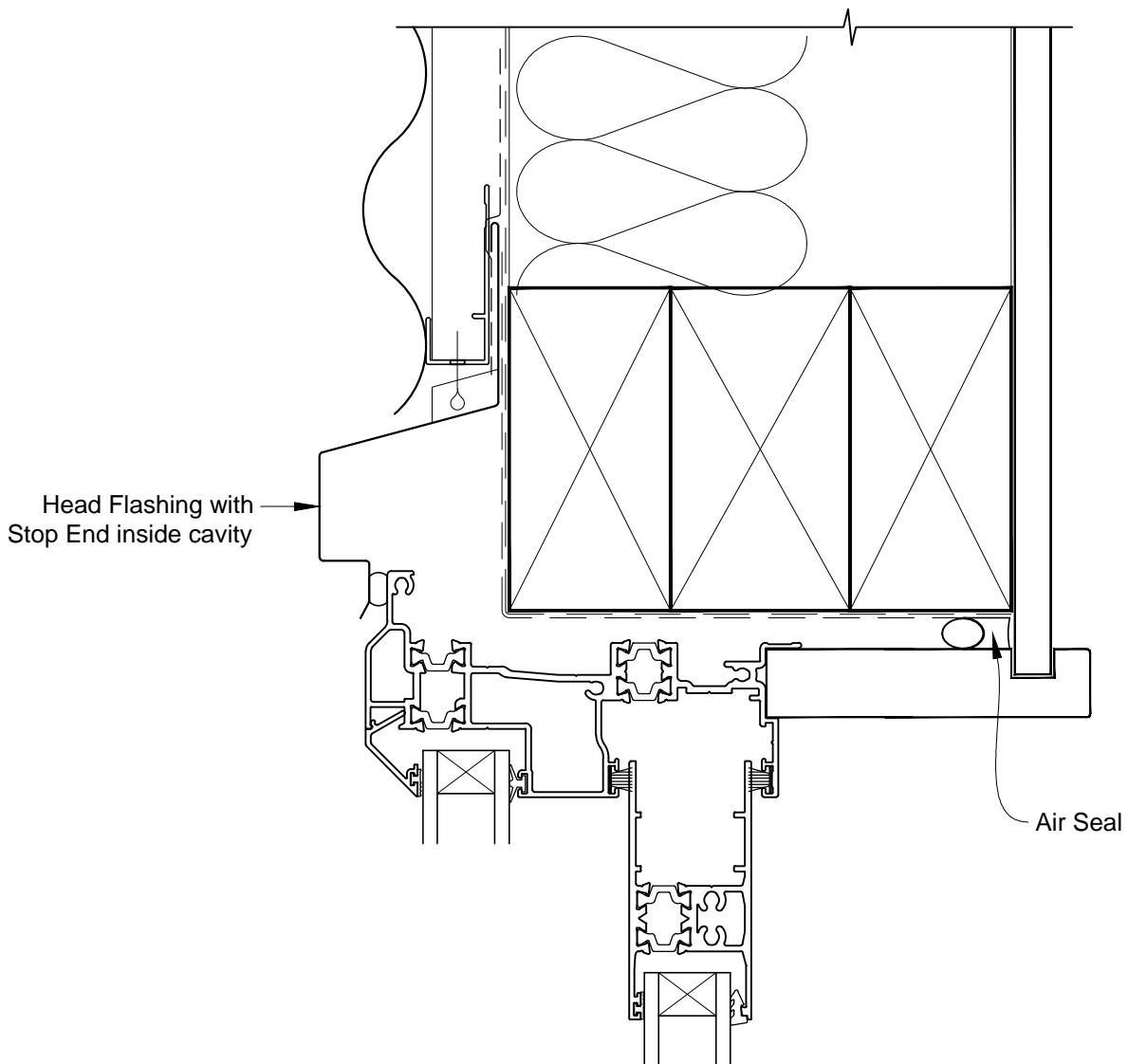


**INSTALLATION DETAIL - FIRST RESIDENTIAL THERMAL HEART
SLIDING WINDOW ON PROFILE METAL
CAVITY CONSTRUCTION**

Date: 01.03.14

Scale: 1:2

CAD Ref.: FTSWPM-CH

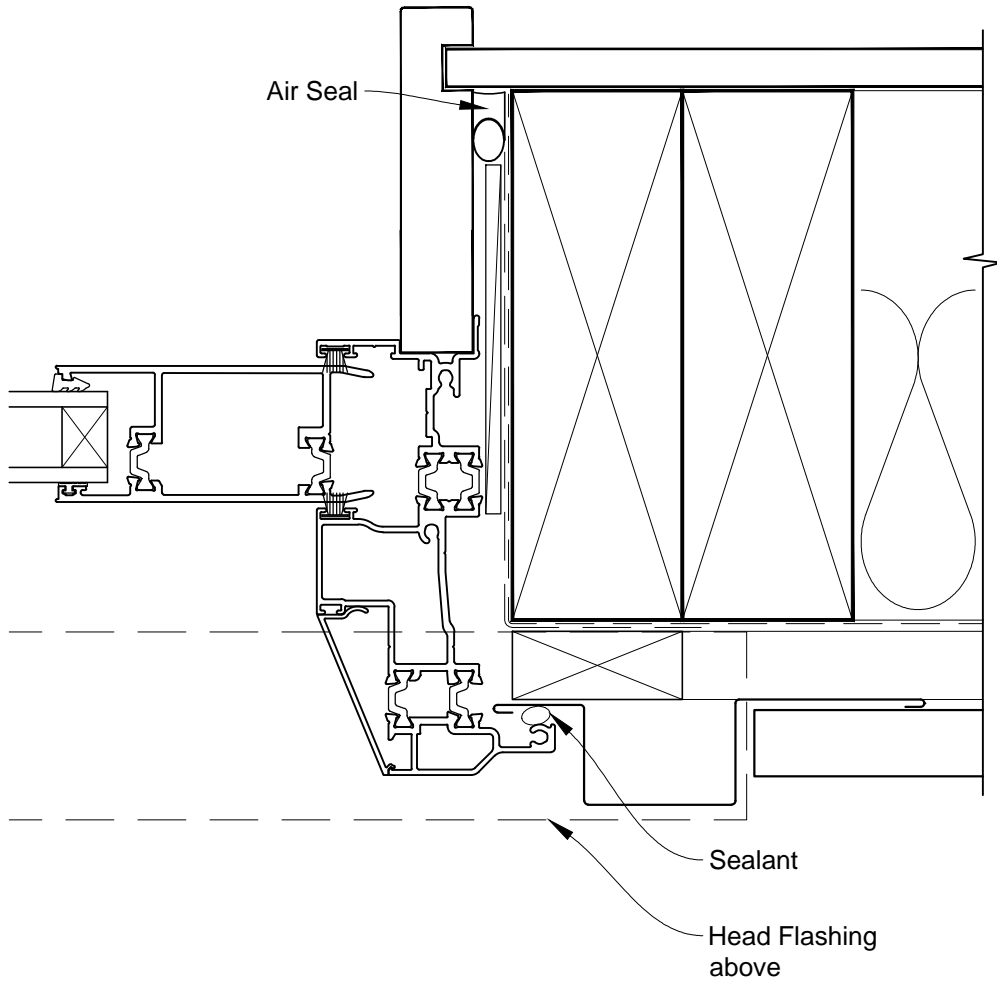


**INSTALLATION DETAIL - FIRST RESIDENTIAL THERMAL HEART
SLIDING WINDOW ON PROFILE METAL
CAVITY CONSTRUCTION**

Date: 01.03.14

Scale: 1:2

CAD Ref.: FTSWPM-CJ

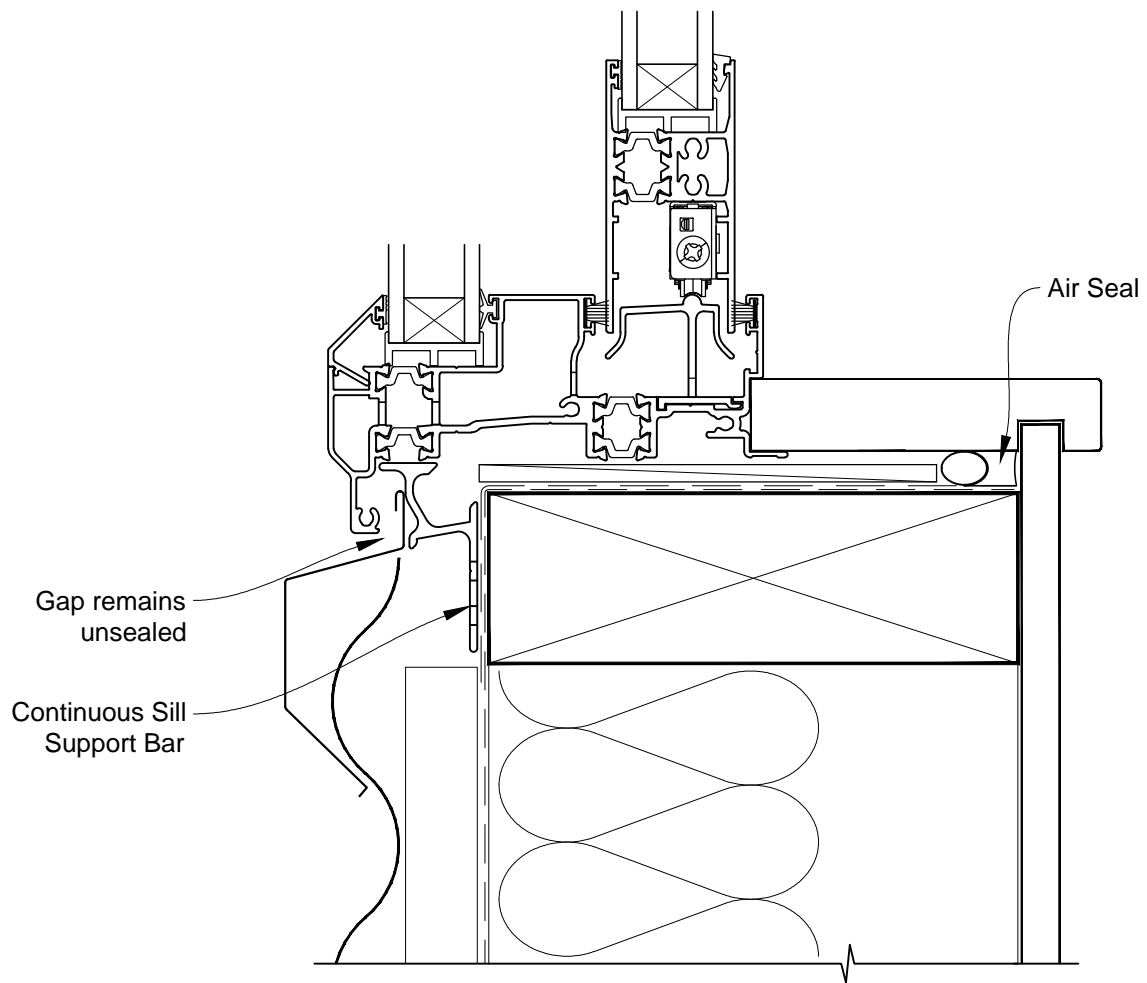


**INSTALLATION DETAIL - FIRST RESIDENTIAL THERMAL HEART
SLIDING WINDOW ON PROFILE METAL
CAVITY CONSTRUCTION**

Date: 01.03.14

Scale: 1:2

CAD Ref.: FTSWPM-CS

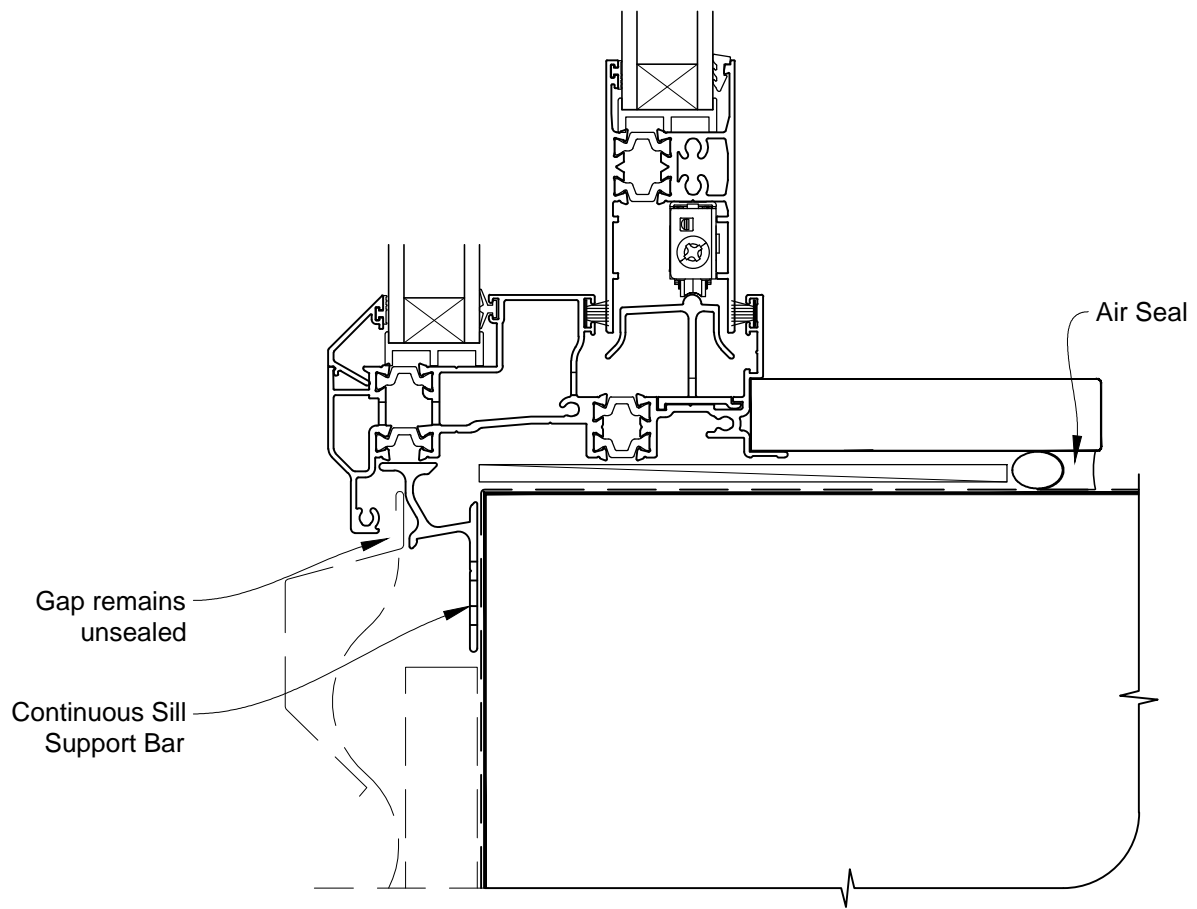


**INSTALLATION DETAIL - FIRST RESIDENTIAL THERMAL HEART
SLIDING WINDOW ON PROFILE METAL
CAVITY CONSTRUCTION**

Date: 01.03.14

Scale: 1:2

CAD Ref.: FTSWPM-CS2

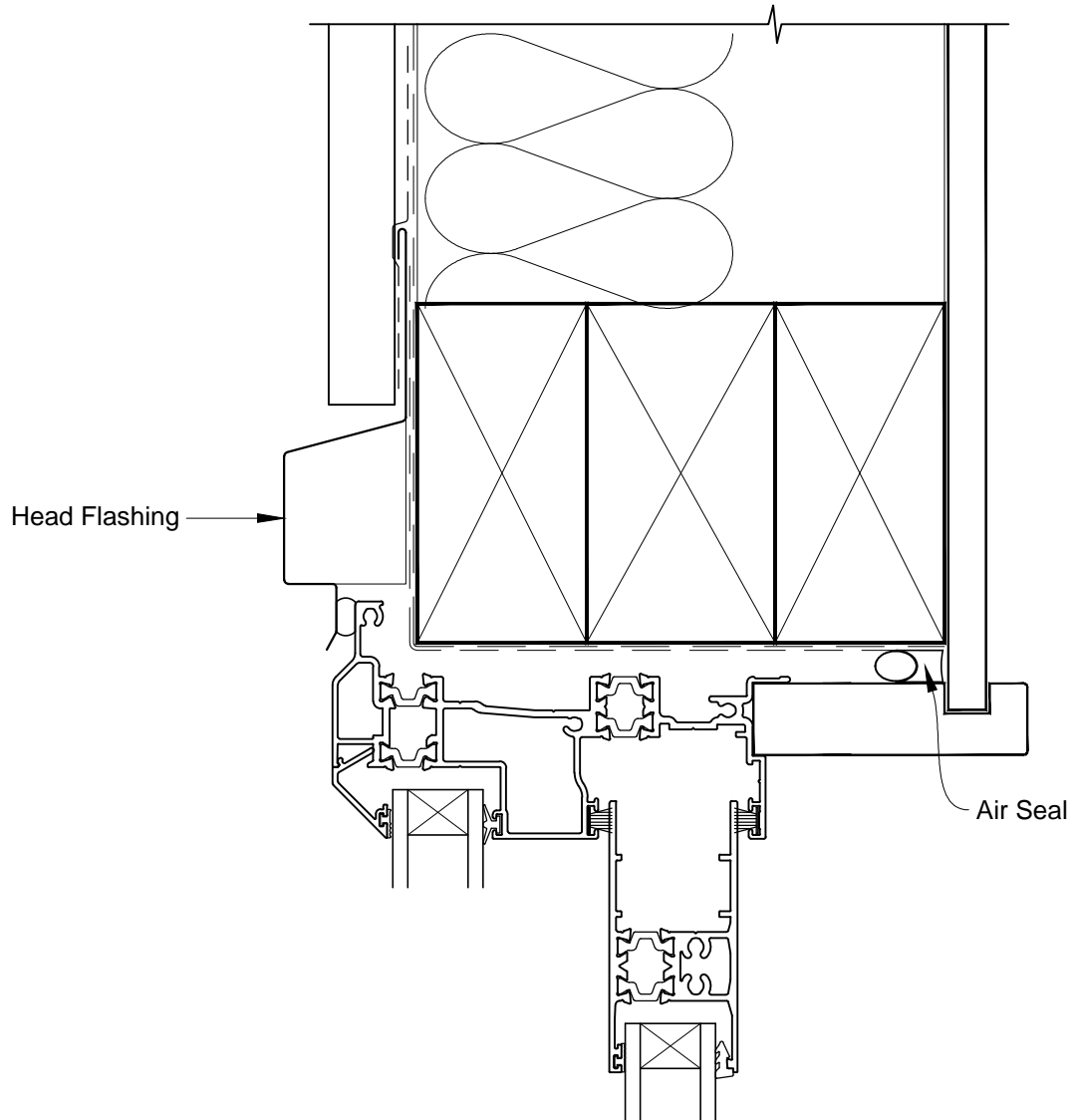


**INSTALLATION DETAIL - FIRST RESIDENTIAL THERMAL HEART
SLIDING WINDOW ON PROFILE METAL
DIRECT FIXED CLADDING**

Date: 01.03.14

Scale: 1:2

CAD Ref.: FTSWPM-DH

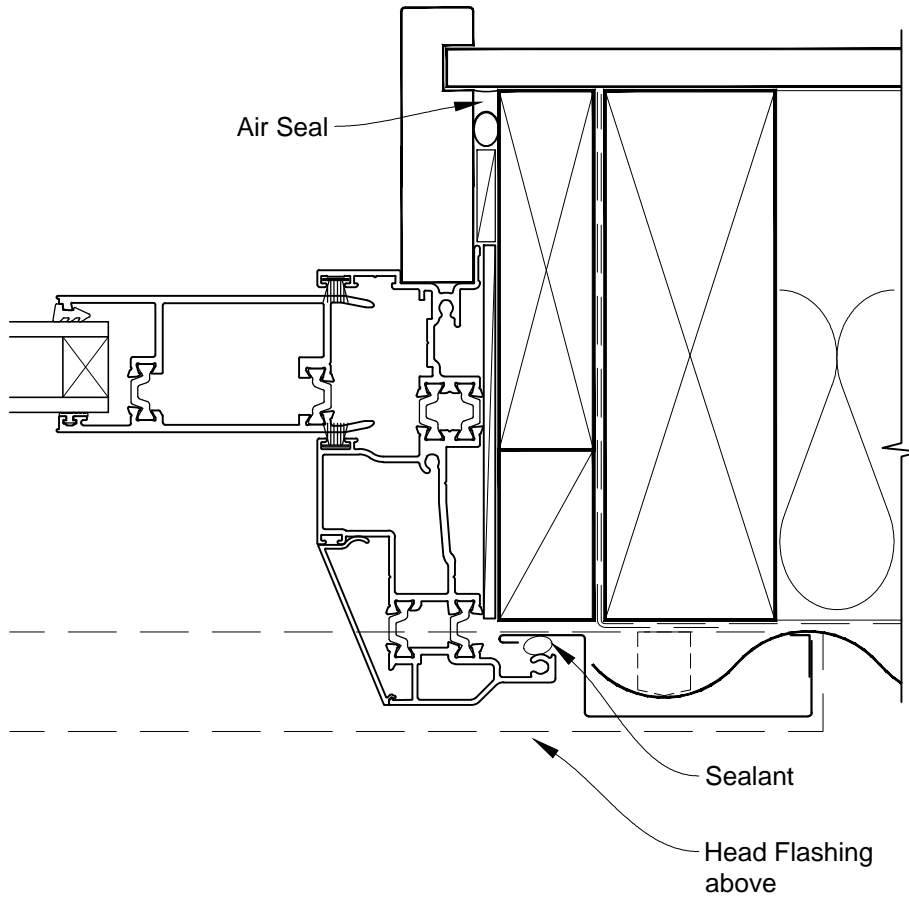


**INSTALLATION DETAIL - FIRST RESIDENTIAL THERMAL HEART
SLIDING WINDOW ON PROFILE METAL
DIRECT FIXED CLADDING**

Date: 01.03.14

Scale: 1:2

CAD Ref.: FTSWPM-DJ

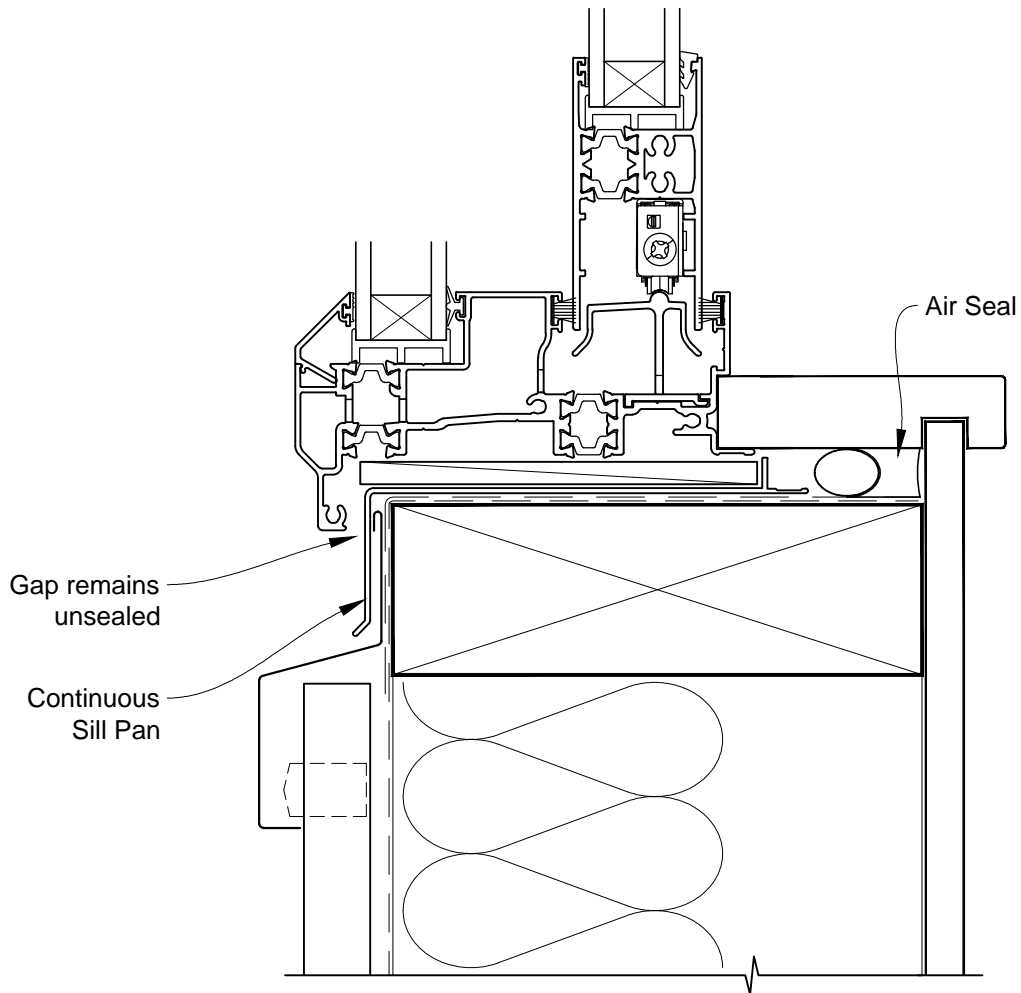


**INSTALLATION DETAIL - FIRST RESIDENTIAL THERMAL HEART
SLIDING WINDOW ON PROFILE METAL
DIRECT FIXED CLADDING**

Date: 01.03.14

Scale: 1:2

CAD Ref.: FTSWPM-DS



**INSTALLATION DETAIL - FIRST RESIDENTIAL THERMAL HEART
SLIDING WINDOW ON PROFILE METAL
DIRECT FIXED CLADDING**

Date: 01.03.14

Scale: 1:2

CAD Ref.: FTSWPM-DS2

