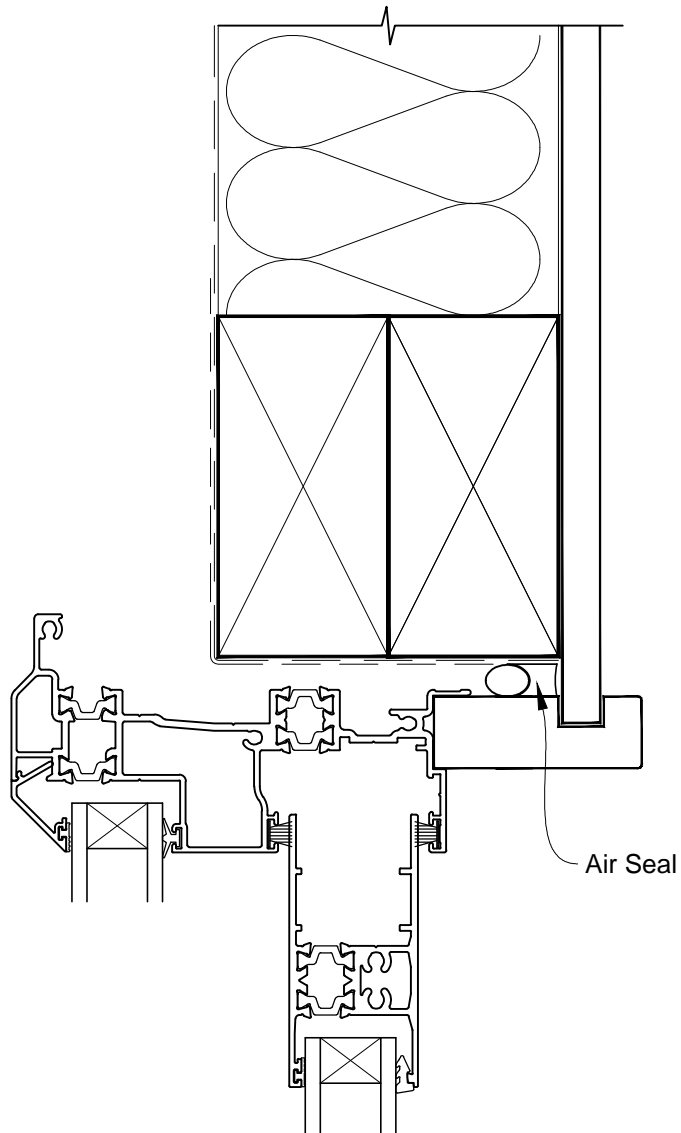


**INSTALLATION DETAIL - FIRST RESIDENTIAL THERMAL HEART
SLIDING WINDOW ON NO CLADDING
CAVITY CONSTRUCTION**

Date: 01.03.14

Scale: 1:2

CAD Ref.: FTSWNC-CH

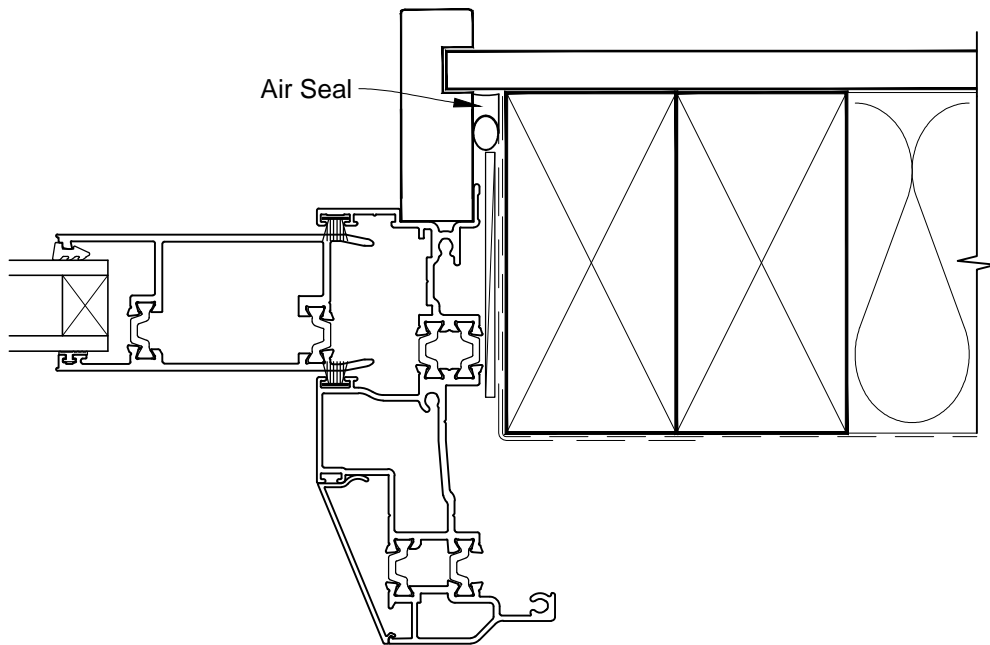


**INSTALLATION DETAIL - FIRST RESIDENTIAL THERMAL HEART
SLIDING WINDOW ON NO CLADDING
CAVITY CONSTRUCTION**

Date: 01.03.14

Scale: 1:2

CAD Ref.: FTSWNC-CJ

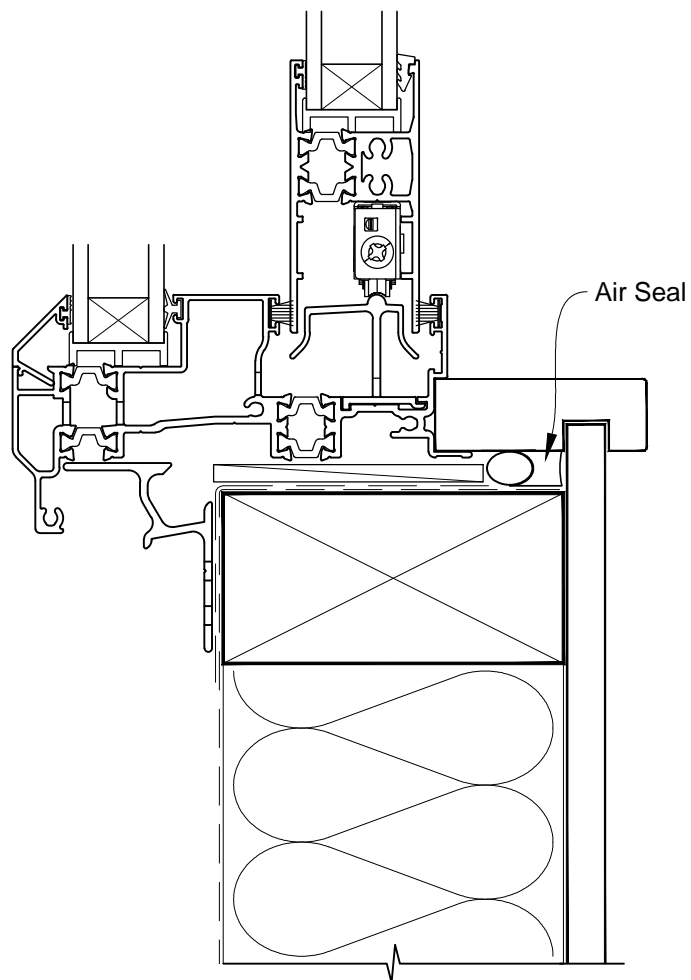


**INSTALLATION DETAIL - FIRST RESIDENTIAL THERMAL HEART
SLIDING WINDOW ON NO CLADDING
CAVITY CONSTRUCTION**

Date: 01.03.14

Scale: 1:2

CAD Ref.: FTSWNC-CS

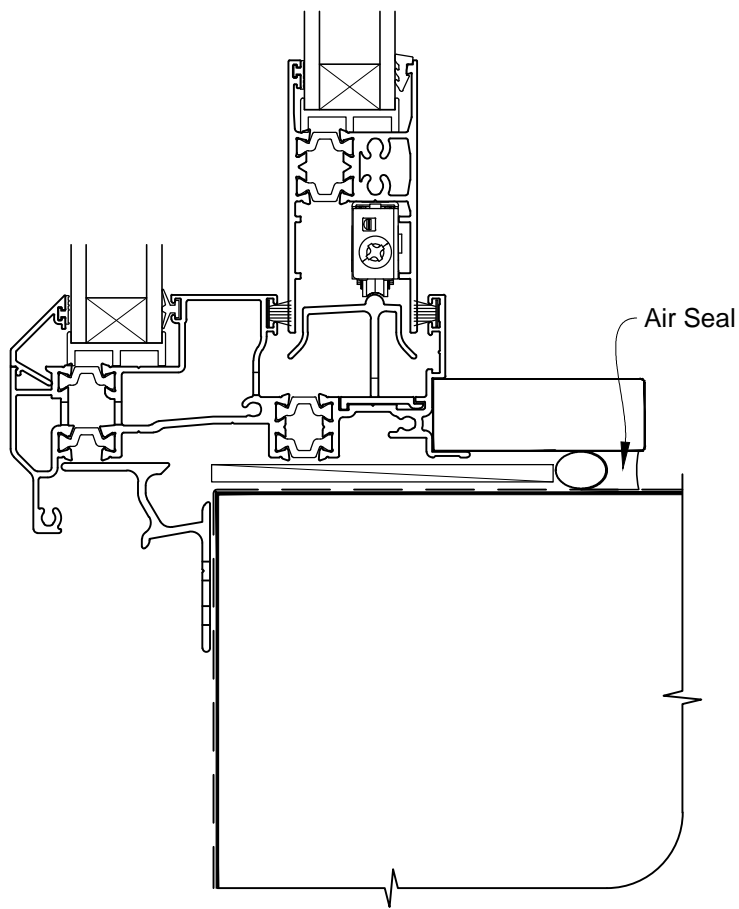


**INSTALLATION DETAIL - FIRST RESIDENTIAL THERMAL HEART
SLIDING WINDOW ON NO CLADDING
CAVITY CONSTRUCTION**

Date: 01.03.14

Scale: 1:2

CAD Ref.: FTSWNC-CS2

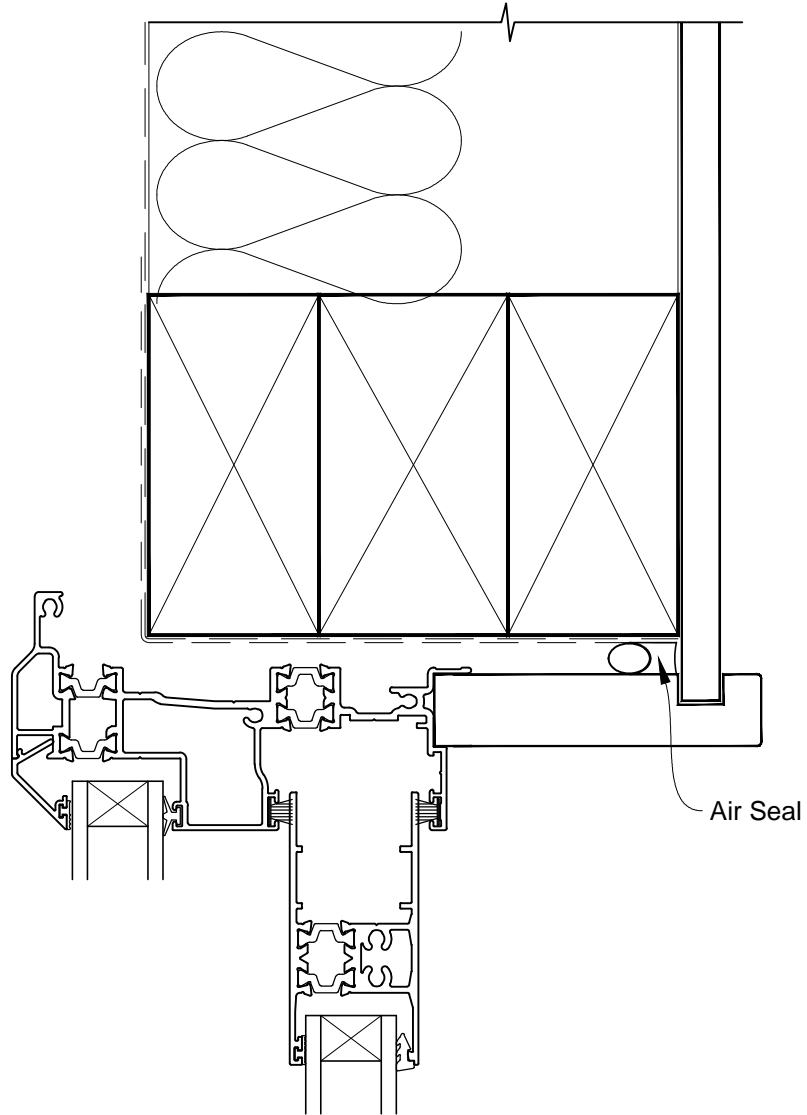


**INSTALLATION DETAIL - FIRST RESIDENTIAL THERMAL HEART
SLIDING WINDOW ON NO CLADDING
DIRECT FIXED CLADDING**

Date: 01.03.14

Scale: 1:2

CAD Ref.: FTSWNC-DH

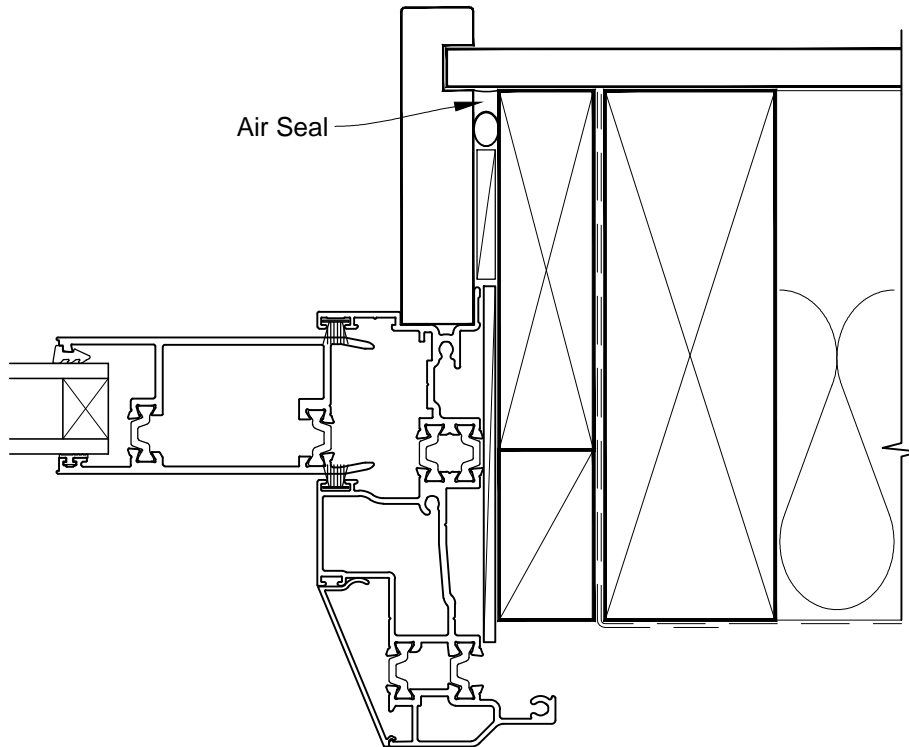


**INSTALLATION DETAIL - FIRST RESIDENTIAL THERMAL HEART
SLIDING WINDOW ON NO CLADDING
DIRECT FIXED CLADDING**

Date: 01.03.14

Scale: 1:2

CAD Ref.: FTSWNC-DJ

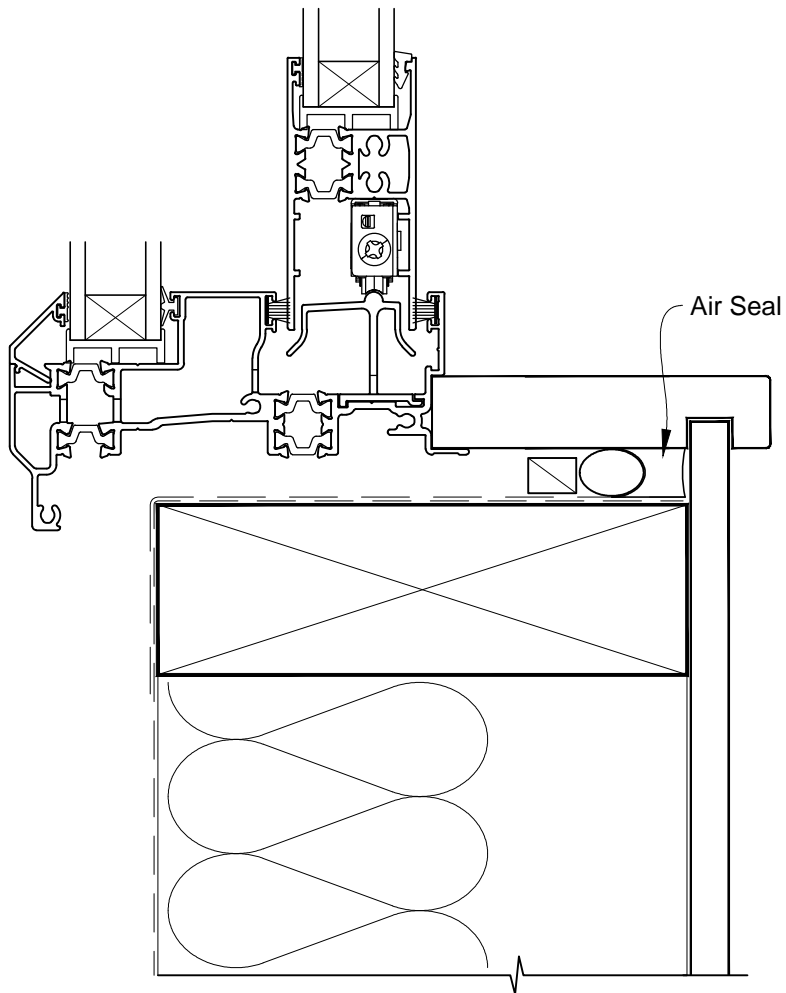


**INSTALLATION DETAIL - FIRST RESIDENTIAL THERMAL HEART
SLIDING WINDOW ON NO CLADDING
DIRECT FIXED CLADDING**

Date: 01.03.14

Scale: 1:2

CAD Ref.: FTSWNC-DS



**INSTALLATION DETAIL - FIRST RESIDENTIAL THERMAL HEART
SLIDING WINDOW ON NO CLADDING
DIRECT FIXED CLADDING**

Date: 01.03.14

Scale: 1:2

CAD Ref.: FTSWNC-DS2

