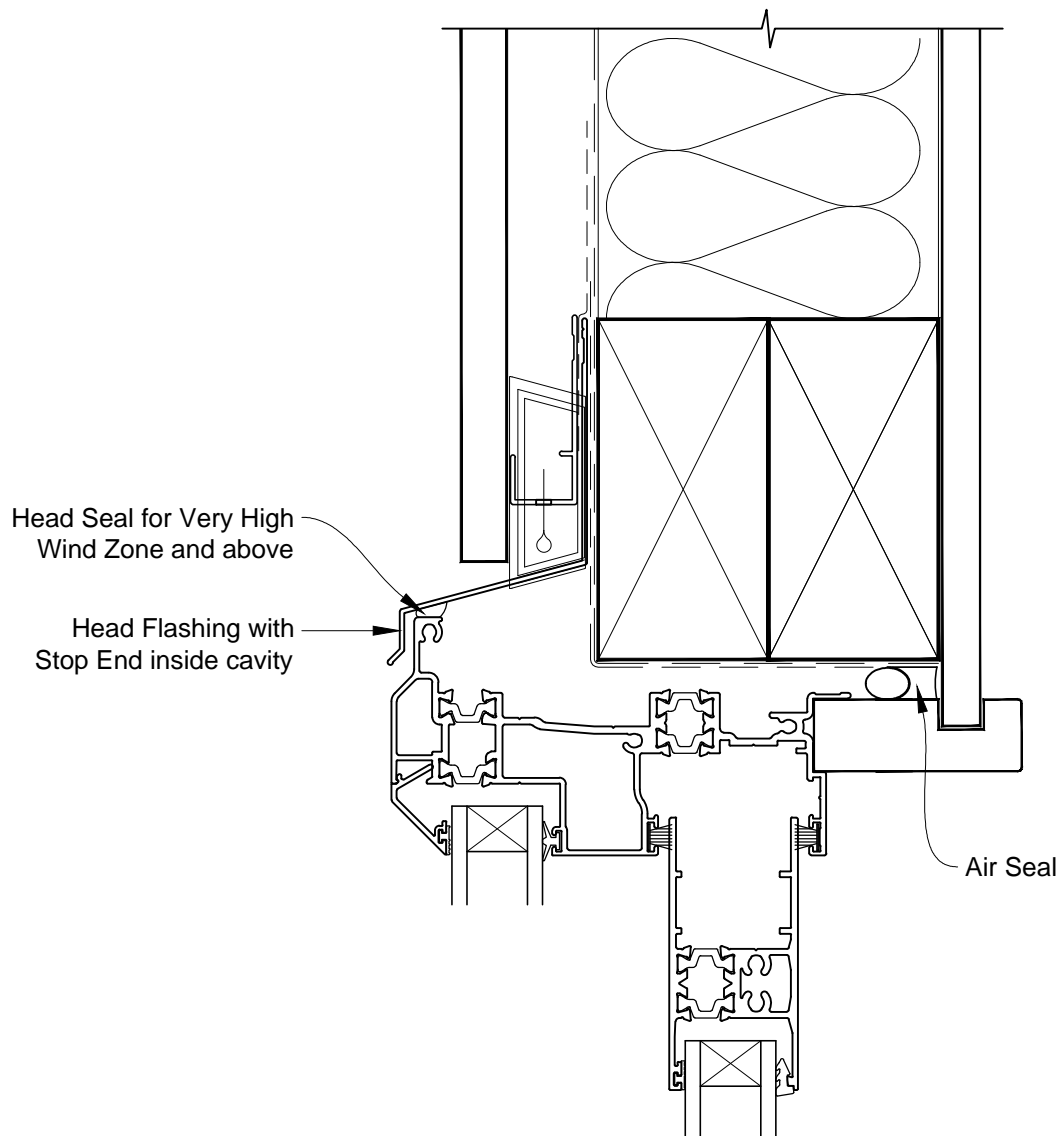


**INSTALLATION DETAIL - FIRST RESIDENTIAL THERMAL HEART
SLIDING WINDOW ON FLAT SHEET
CAVITY CONSTRUCTION**

Date: 01.03.14

Scale: 1:2

CAD Ref.: FTSWFS-CH

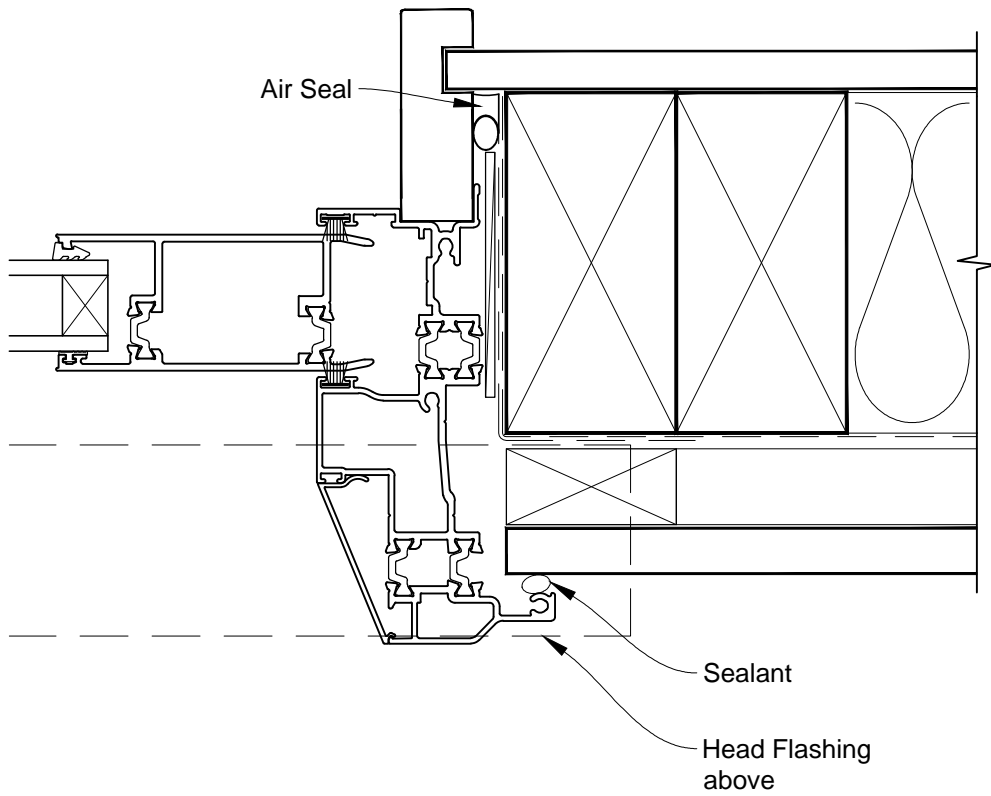


**INSTALLATION DETAIL - FIRST RESIDENTIAL THERMAL HEART
SLIDING WINDOW ON FLAT SHEET
CAVITY CONSTRUCTION**

Date: 01.03.14

Scale: 1:2

CAD Ref.: FTSWFS-CJ

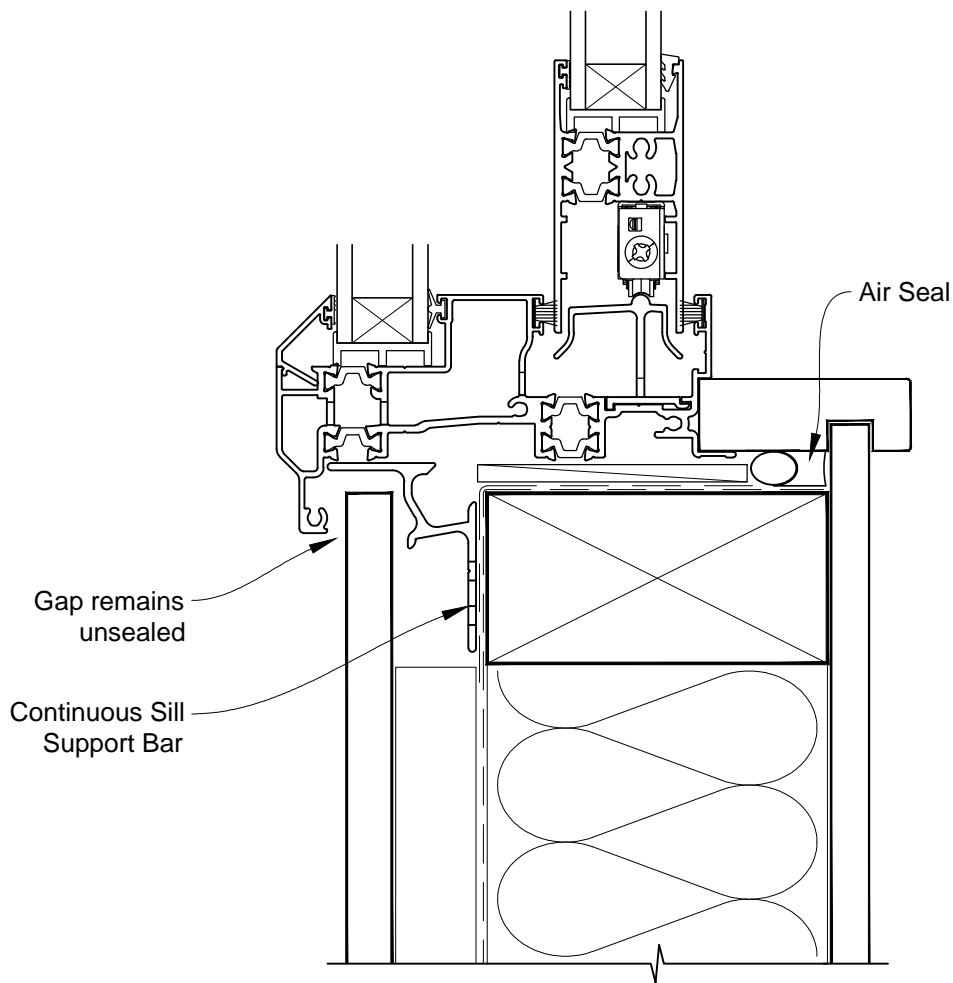


**INSTALLATION DETAIL - FIRST RESIDENTIAL THERMAL HEART
SLIDING WINDOW ON FLAT SHEET
CAVITY CONSTRUCTION**

Date: 01.03.14

Scale: 1:2

CAD Ref.: FTSWFS-CS

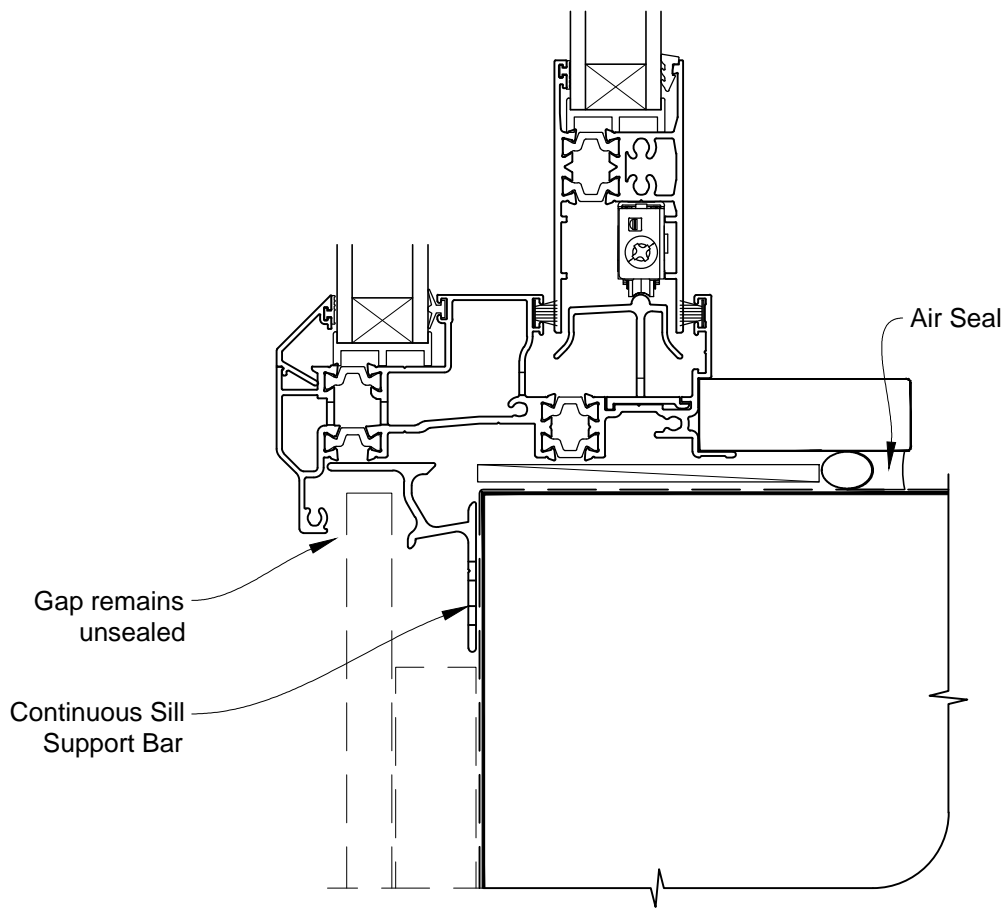


**INSTALLATION DETAIL - FIRST RESIDENTIAL THERMAL HEART
SLIDING WINDOW ON FLAT SHEET
CAVITY CONSTRUCTION**

Date: 01.03.14

Scale: 1:2

CAD Ref.: FTSWFS-CS2

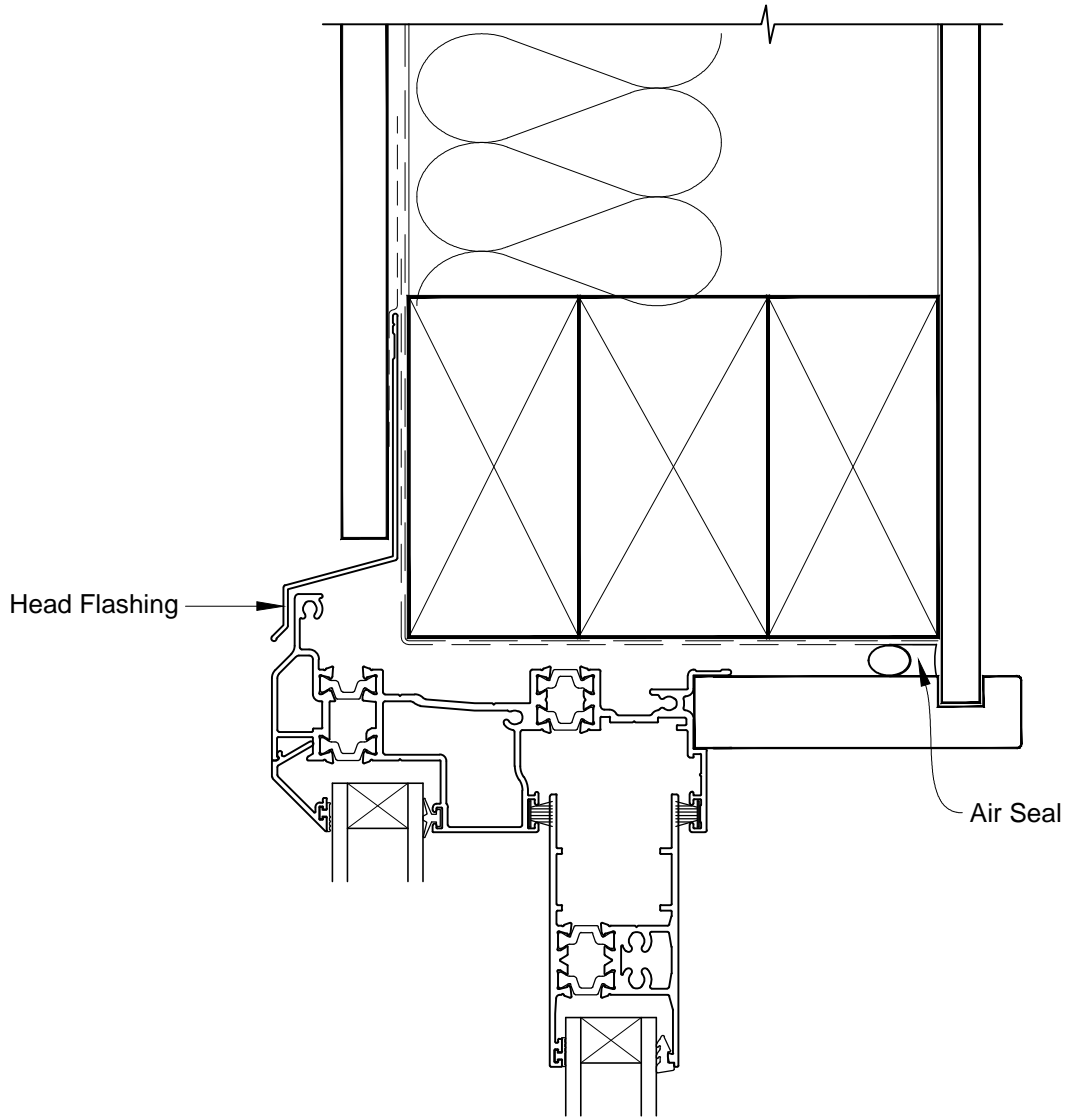


**INSTALLATION DETAIL - FIRST RESIDENTIAL THERMAL HEART
SLIDING WINDOW ON FLAT SHEET
DIRECT FIXED CLADDING**

Date: 01.03.14

Scale: 1:2

CAD Ref.: FTSWFS-DH

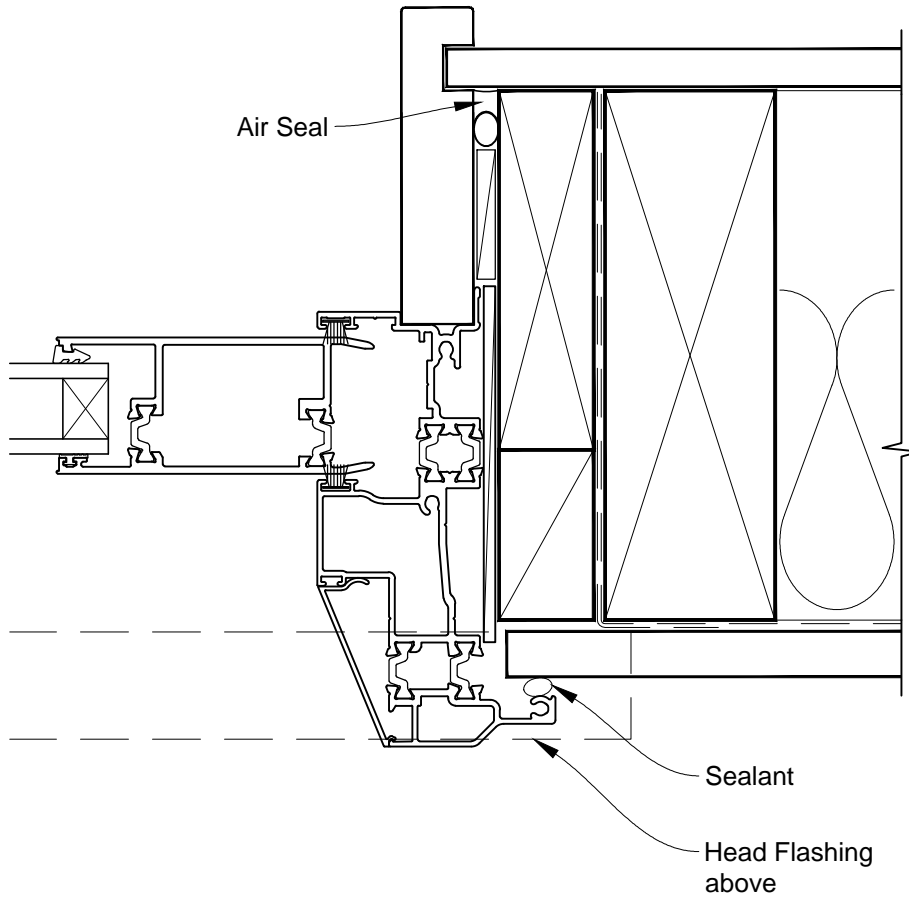


**INSTALLATION DETAIL - FIRST RESIDENTIAL THERMAL HEART
SLIDING WINDOW ON FLAT SHEET
DIRECT FIXED CLADDING**

Date: 01.03.14

Scale: 1:2

CAD Ref.: FTSWFS-DJ



**INSTALLATION DETAIL - FIRST RESIDENTIAL THERMAL HEART
SLIDING WINDOW ON FLAT SHEET
DIRECT FIXED CLADDING**

Date: 01.03.14

Scale: 1:2

CAD Ref.: FTSWFS-DS

