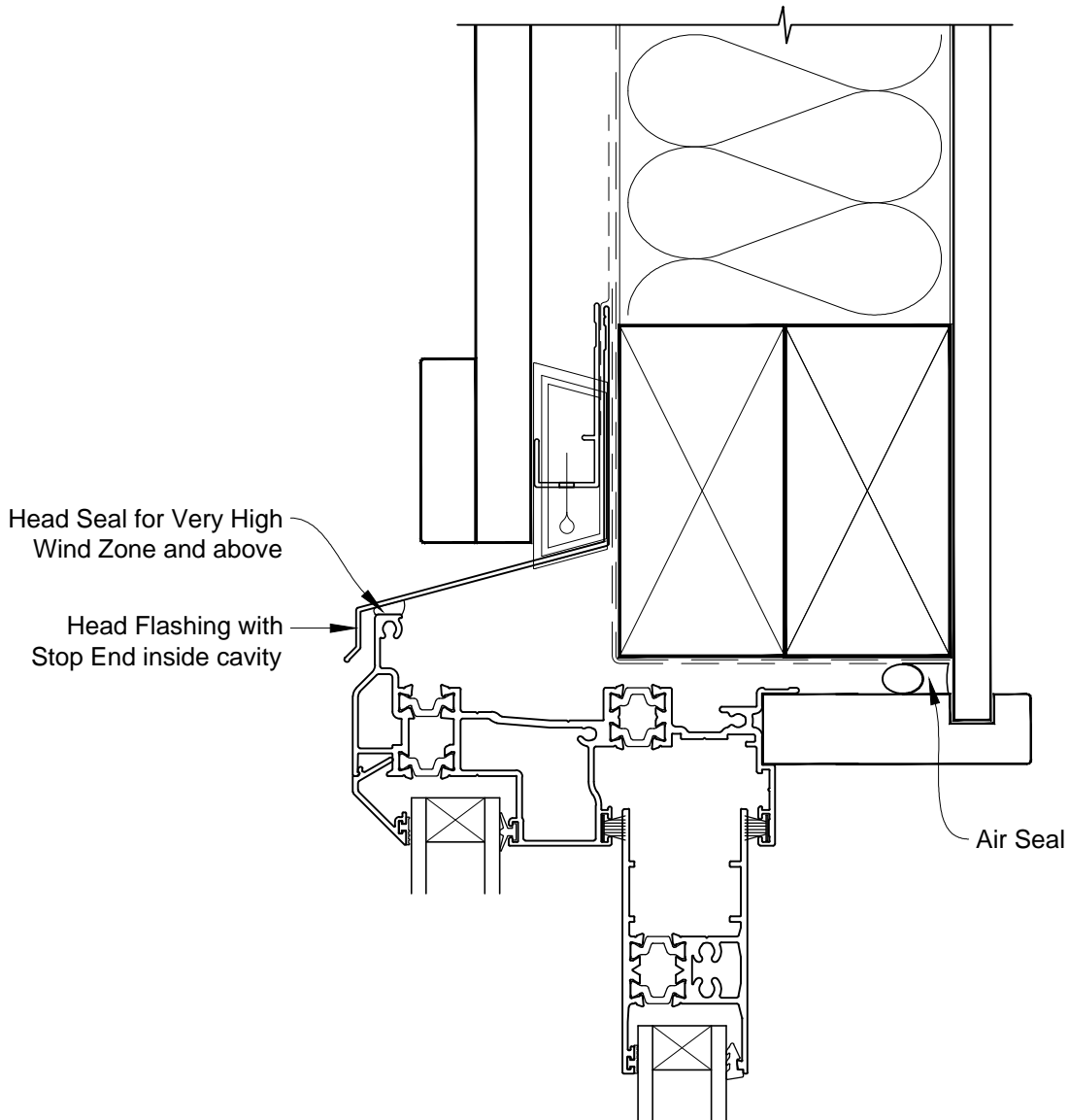


**INSTALLATION DETAIL - FIRST RESIDENTIAL THERMAL HEART
SLIDING WINDOW ON BOARD & BATTEN
CAVITY CONSTRUCTION**

Date: 01.03.14

Scale: 1:2

CAD Ref.: FTSWBB-CH

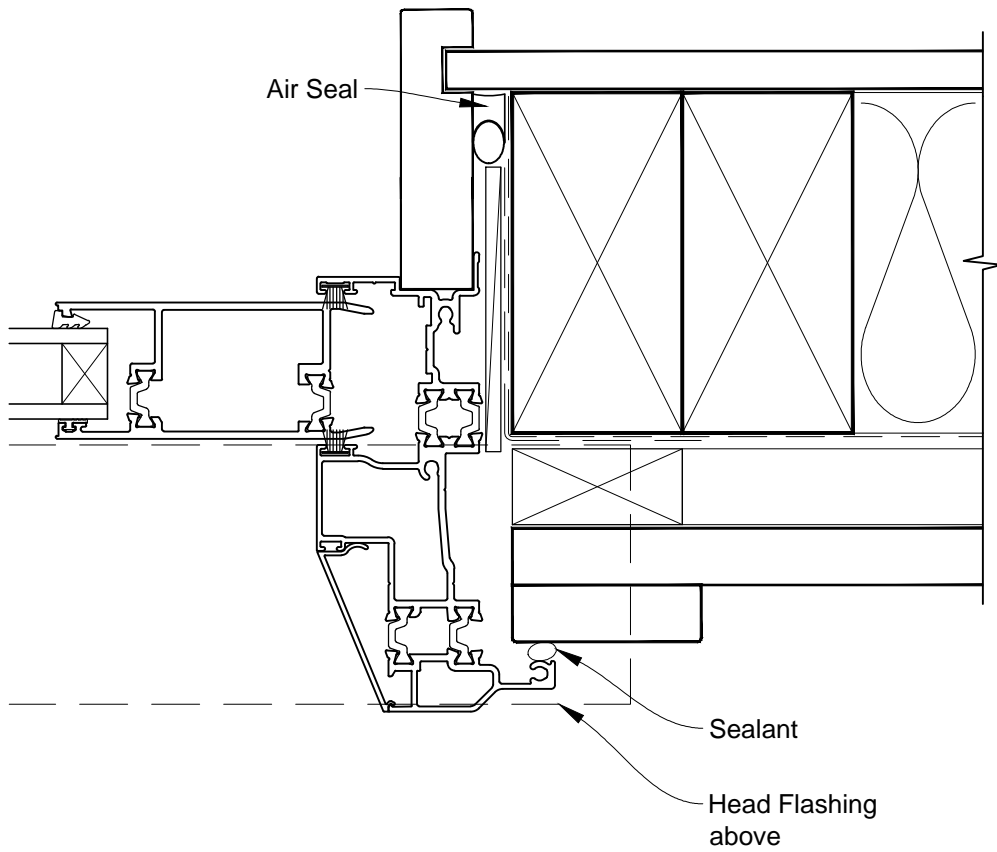


**INSTALLATION DETAIL - FIRST RESIDENTIAL THERMAL HEART
SLIDING WINDOW ON BOARD & BATTEN
CAVITY CONSTRUCTION**

Date: 01.03.14

Scale: 1:2

CAD Ref.: FTSWBB-CJ

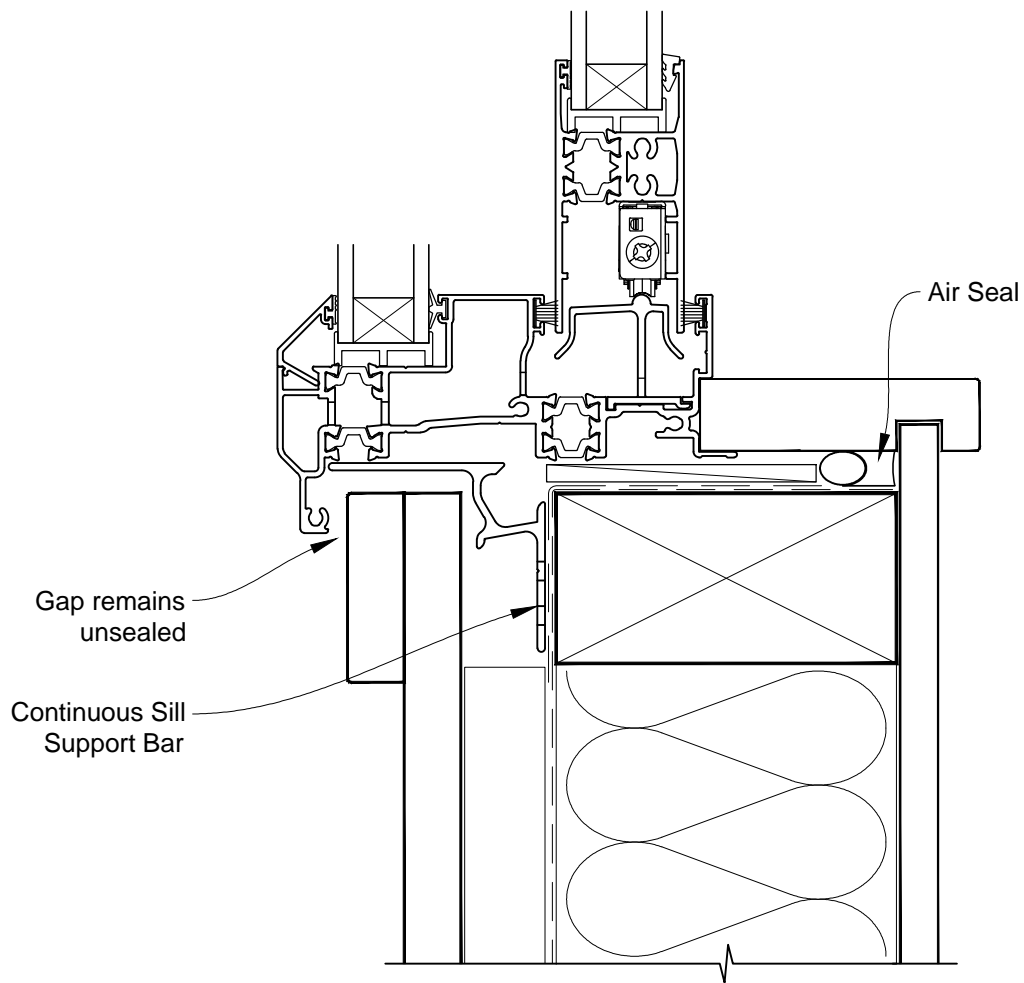


**INSTALLATION DETAIL - FIRST RESIDENTIAL THERMAL HEART
SLIDING WINDOW ON BOARD & BATTEN
CAVITY CONSTRUCTION**

Date: 01.03.14

Scale: 1:2

CAD Ref.: FTSWBB-CS

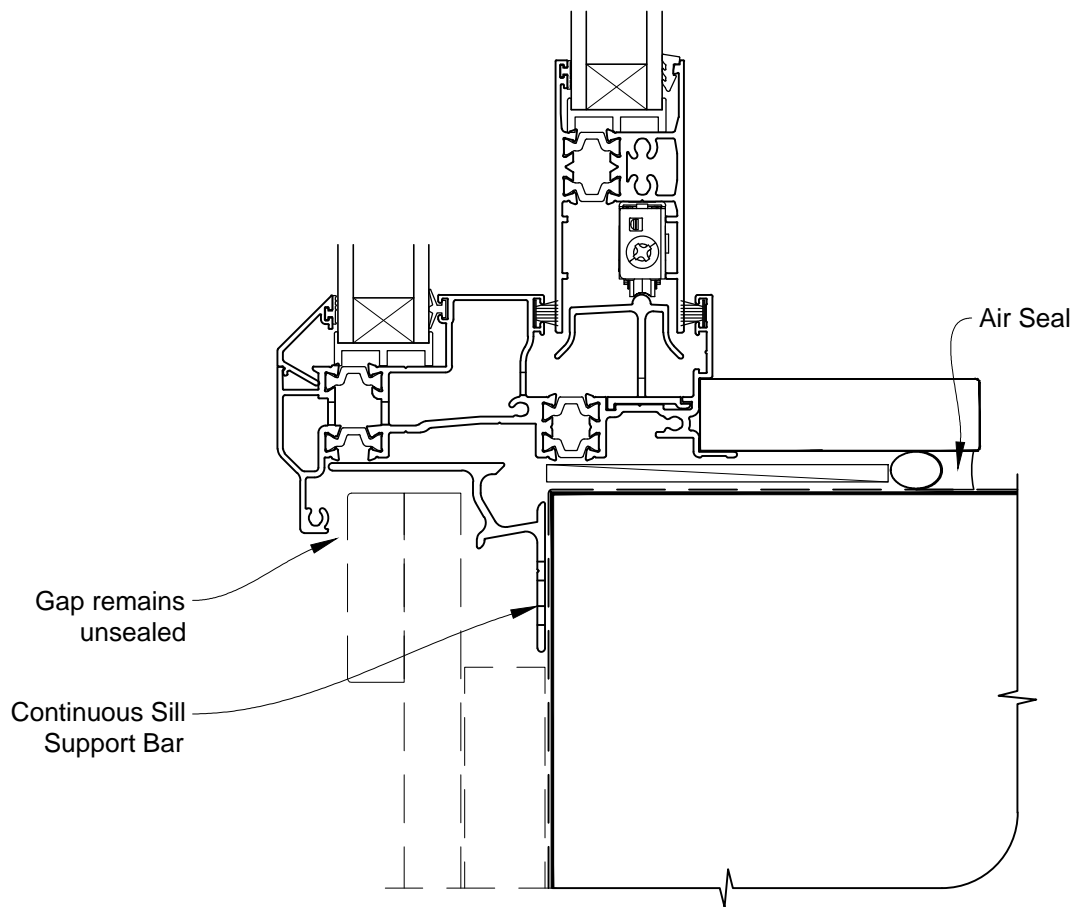


**INSTALLATION DETAIL - FIRST RESIDENTIAL THERMAL HEART
SLIDING WINDOW ON BOARD & BATTEN
CAVITY CONSTRUCTION**

Date: 01.03.14

Scale: 1:2

CAD Ref.: FTSWBB-CS2

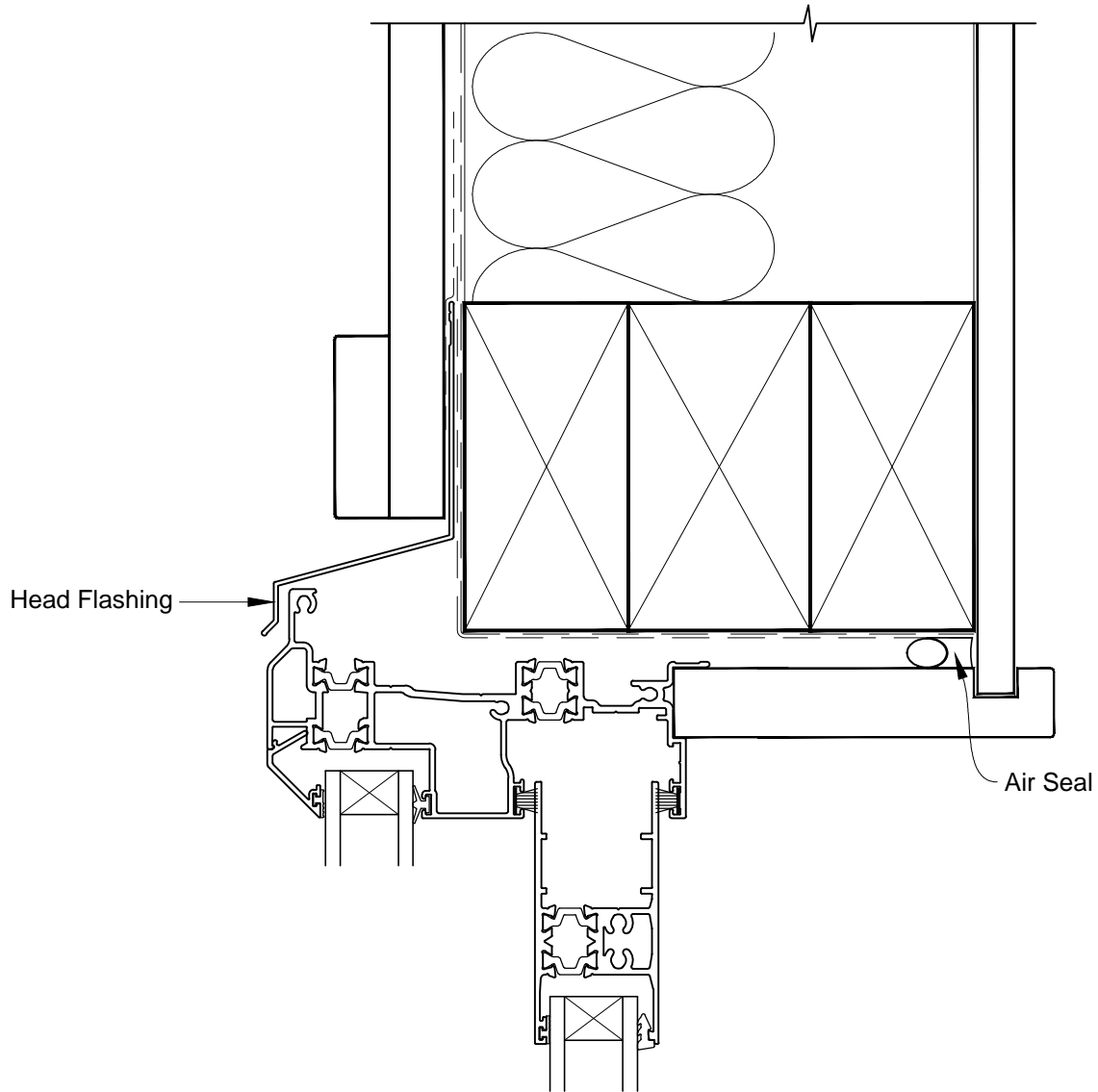


**INSTALLATION DETAIL - FIRST RESIDENTIAL THERMAL HEART
SLIDING WINDOW ON BOARD & BATTEN
DIRECT FIXED CLADDING**

Date: 01.03.14

Scale: 1:2

CAD Ref.: FTSWBB-DH

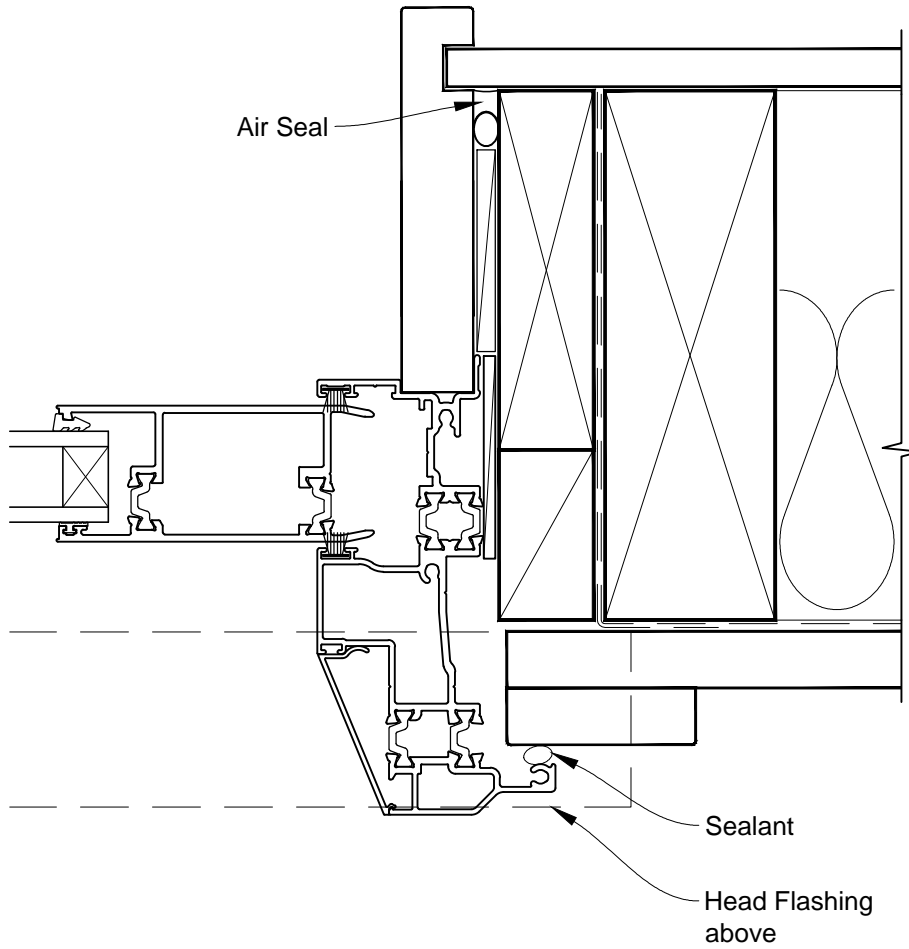


**INSTALLATION DETAIL - FIRST RESIDENTIAL THERMAL HEART
SLIDING WINDOW ON BOARD & BATTEN
DIRECT FIXED CLADDING**

Date: 01.03.14

Scale: 1:2

CAD Ref.: FTSWBB-DJ

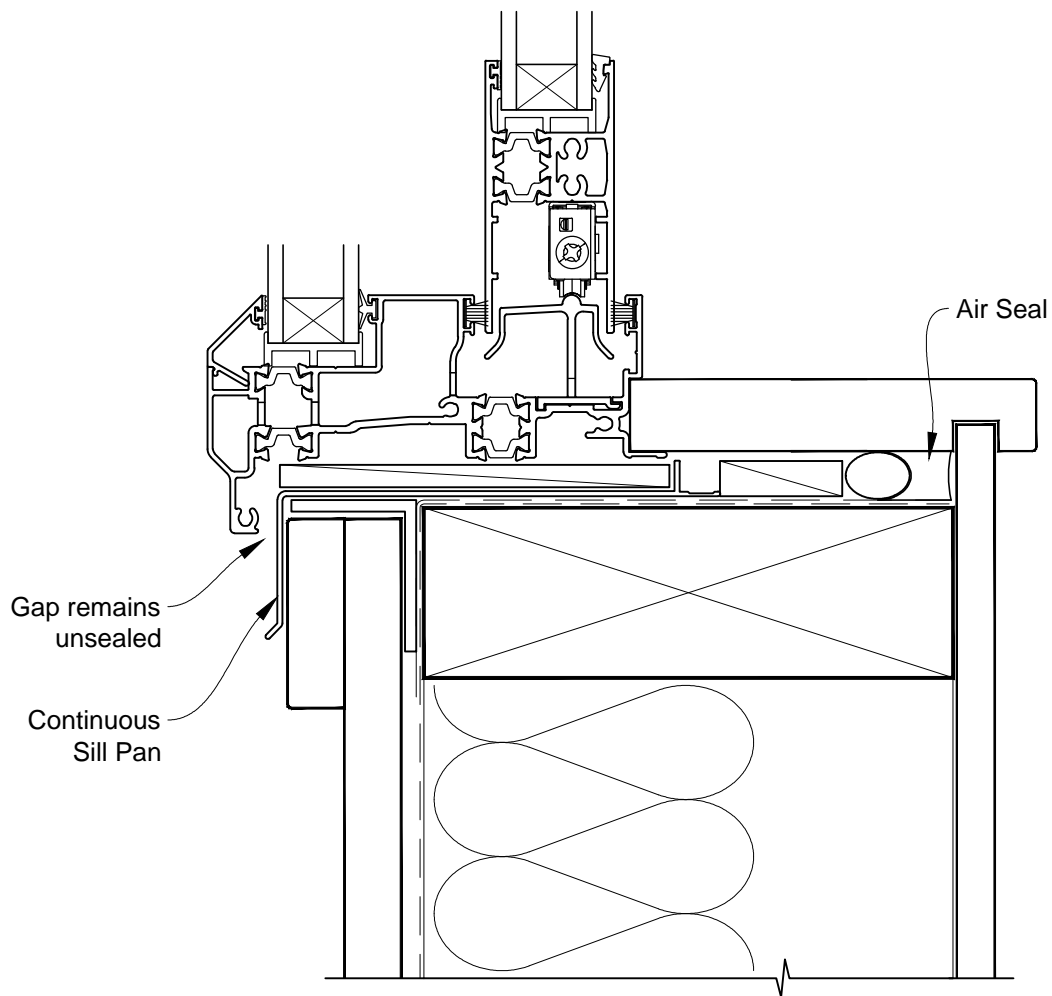


**INSTALLATION DETAIL - FIRST RESIDENTIAL THERMAL HEART
SLIDING WINDOW ON BOARD & BATTEN
DIRECT FIXED CLADDING**

Date: 01.03.14

Scale: 1:2

CAD Ref.: FTSWBB-DS



**INSTALLATION DETAIL - FIRST RESIDENTIAL THERMAL HEART
SLIDING WINDOW ON BOARD & BATTEN
DIRECT FIXED CLADDING**

Date: 01.03.14

Scale: 1:2

CAD Ref.: FTSWBB-DS2

