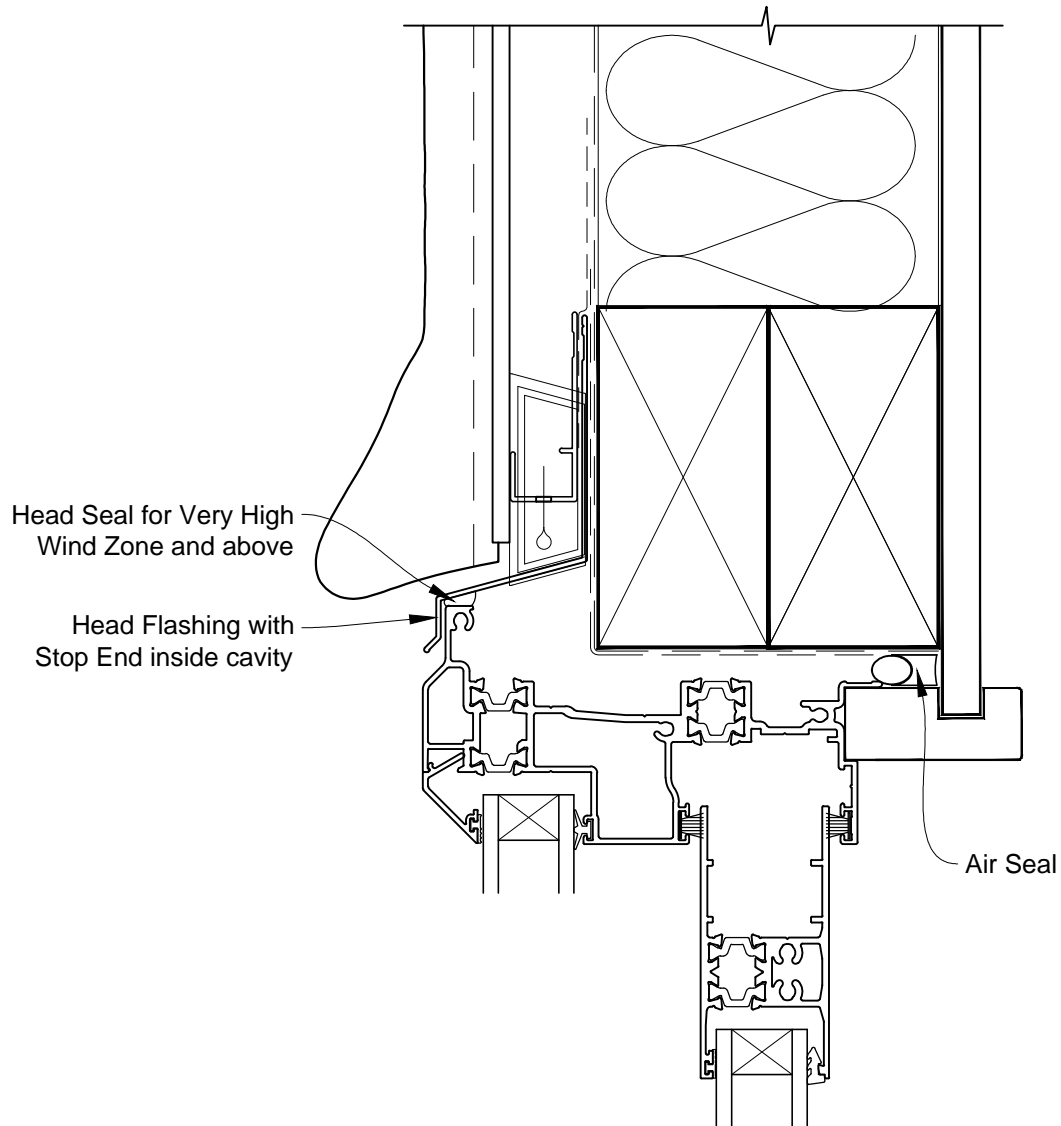


**INSTALLATION DETAIL - FIRST RESIDENTIAL THERMAL HEART
SLIDING DOOR ON STUCCO
CAVITY CONSTRUCTION**

Date: 01.03.14

Scale: 1:2

CAD Ref.: FTSDST-CH

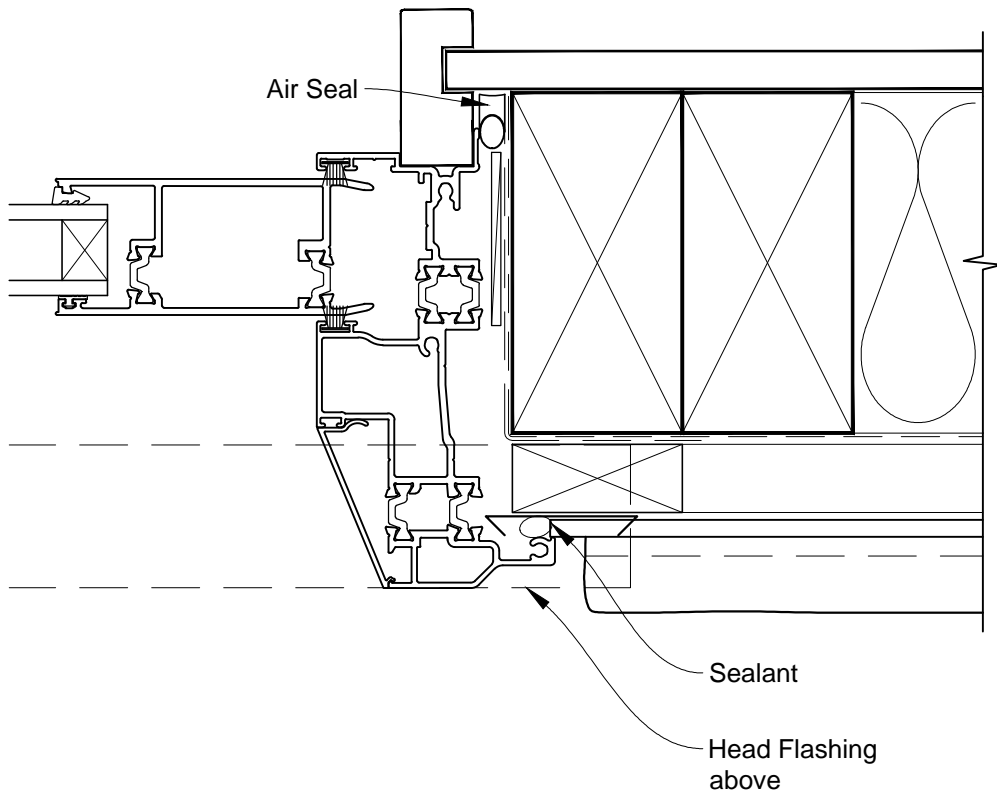


**INSTALLATION DETAIL - FIRST RESIDENTIAL THERMAL HEART
SLIDING DOOR ON STUCCO
CAVITY CONSTRUCTION**

Date: 01.03.14

Scale: 1:2

CAD Ref.: FTSDST-CJ



**INSTALLATION DETAIL - FIRST RESIDENTIAL THERMAL HEART
SLIDING DOOR ON STUCCO
CAVITY CONSTRUCTION**

Date: 01.03.14

Scale: 1:2

CAD Ref.: FTSDST-CS

