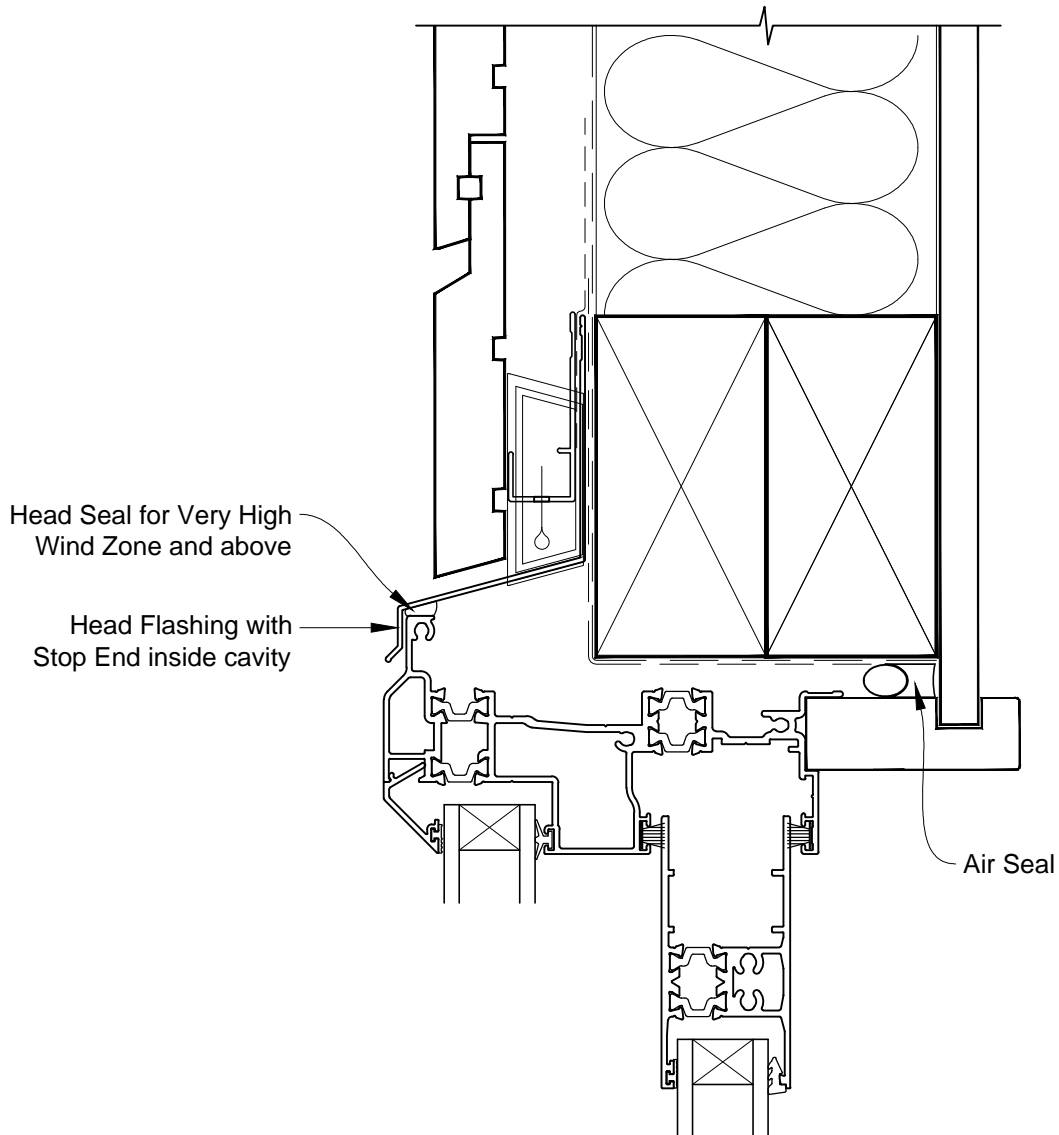


**INSTALLATION DETAIL - FIRST RESIDENTIAL THERMAL HEART  
SLIDING DOOR ON RUSTICATED WEATHERBOARD  
CAVITY CONSTRUCTION**

Date: 01.03.14

Scale: 1:2

CAD Ref.: FTSDRW-CH

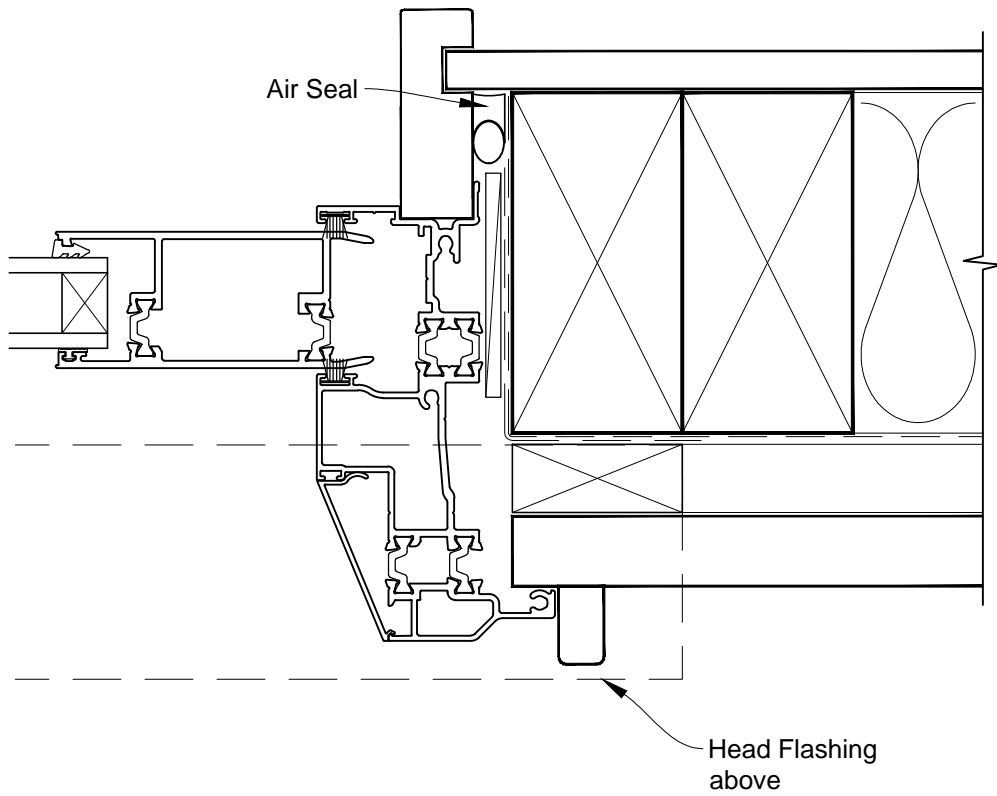


**INSTALLATION DETAIL - FIRST RESIDENTIAL THERMAL HEART  
SLIDING DOOR ON RUSTICATED WEATHERBOARD  
CAVITY CONSTRUCTION**

Date: 01.03.14

Scale: 1:2

CAD Ref.: FTSDRW-CJ

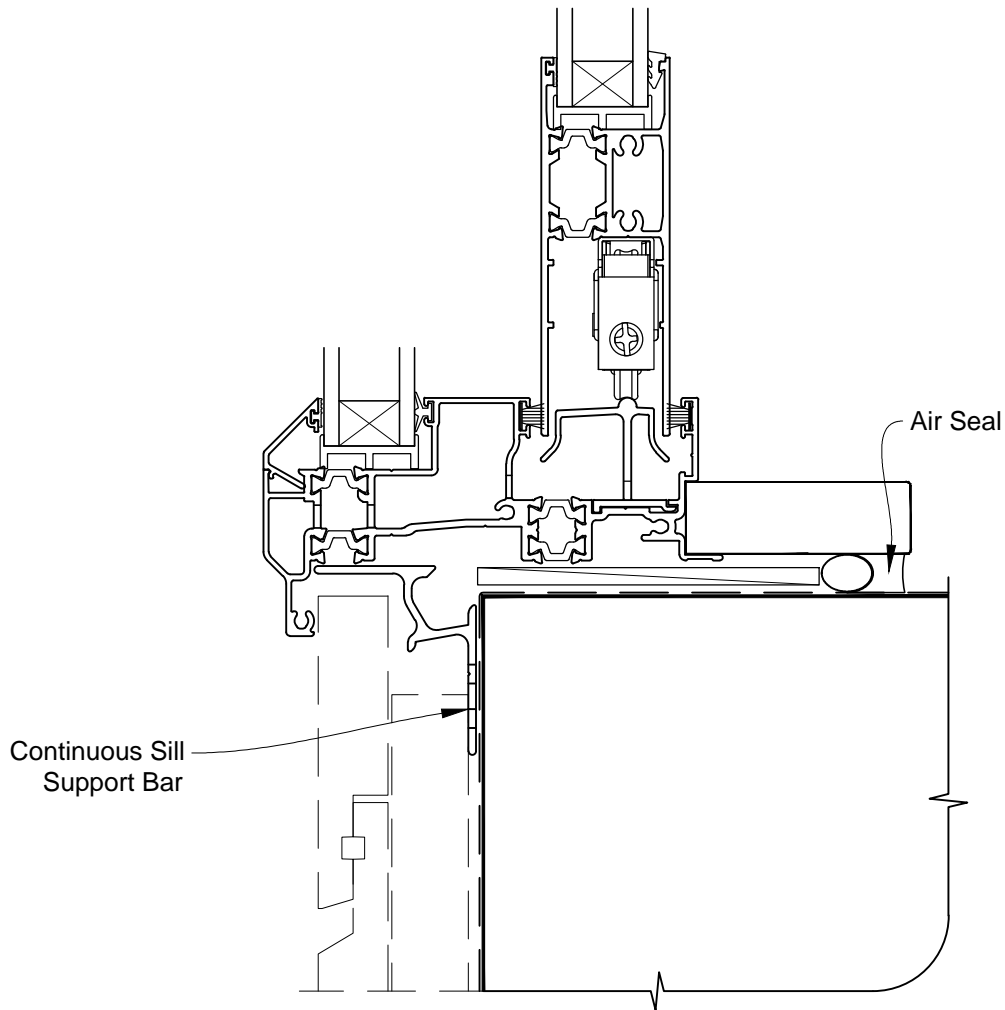


**INSTALLATION DETAIL - FIRST RESIDENTIAL THERMAL HEART  
SLIDING DOOR ON RUSTICATED WEATHERBOARD  
CAVITY CONSTRUCTION**

Date: 01.03.14

Scale: 1:2

CAD Ref.: FTSDRW-CS

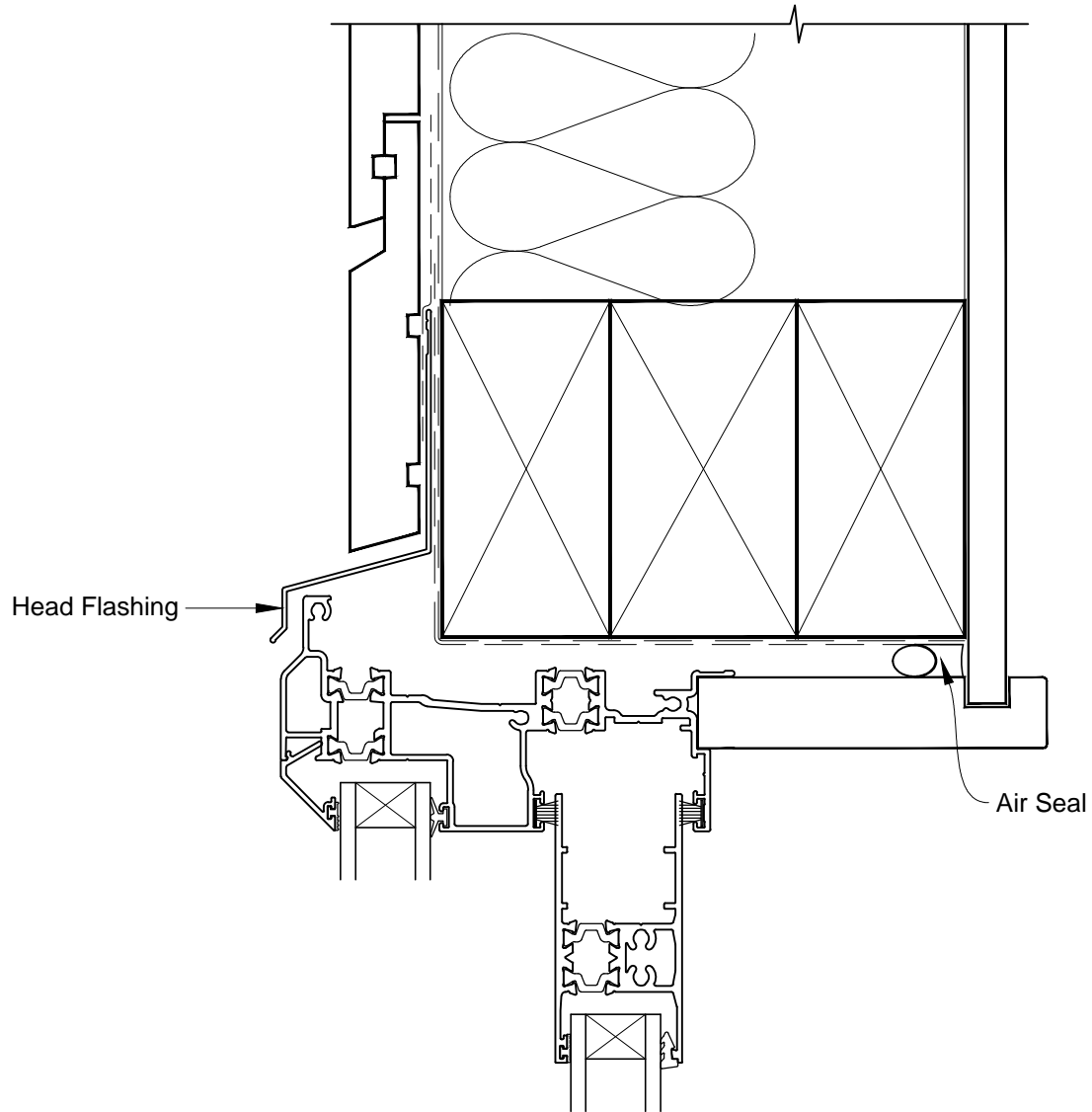


**INSTALLATION DETAIL - FIRST RESIDENTIAL THERMAL HEART  
SLIDING DOOR ON RUSTICATED WEATHERBOARD  
DIRECT FIXED CLADDING**

Date: 01.03.14

Scale: 1:2

CAD Ref.: FTSDRW-DH

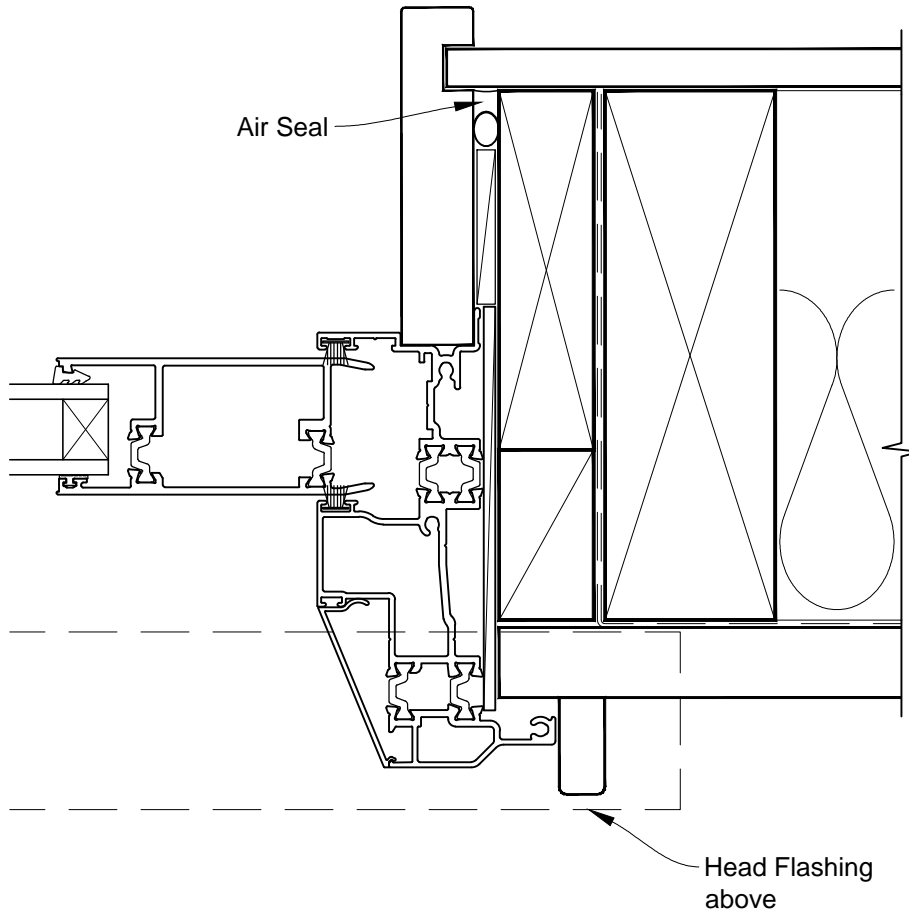


**INSTALLATION DETAIL - FIRST RESIDENTIAL THERMAL HEART  
SLIDING DOOR ON RUSTICATED WEATHERBOARD  
DIRECT FIXED CLADDING**

Date: 01.03.14

Scale: 1:2

CAD Ref.: FTSDRW-DJ



**INSTALLATION DETAIL - FIRST RESIDENTIAL THERMAL HEART  
SLIDING DOOR ON RUSTICATED WEATHERBOARD  
DIRECT FIXED CLADDING**

Date: 01.03.14

Scale: 1:2

CAD Ref.: FTSDRW-DS

