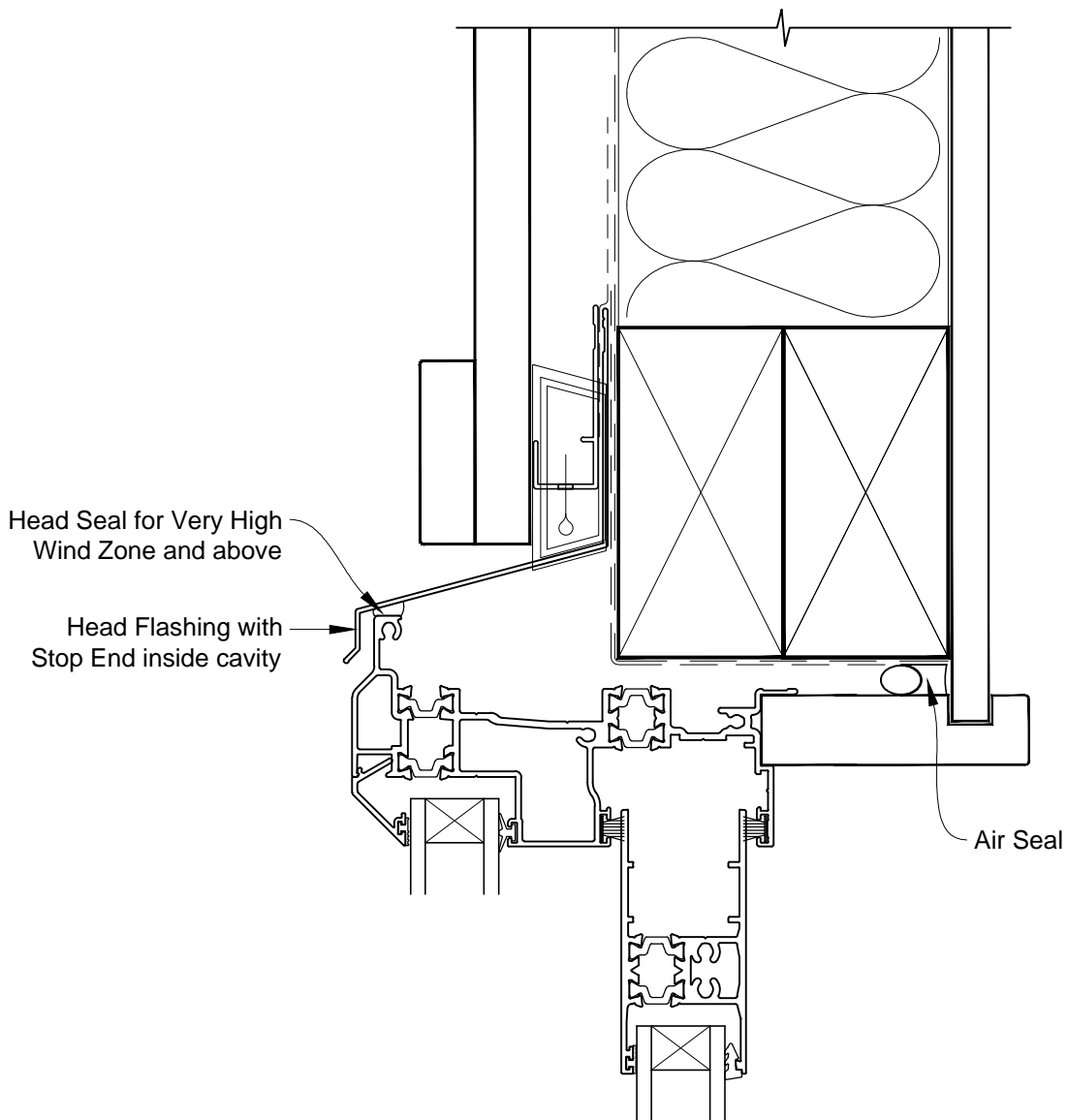


**INSTALLATION DETAIL - FIRST RESIDENTIAL THERMAL HEART
SLIDING DOOR ON BOARD & BATTEN
CAVITY CONSTRUCTION**

Date: 01.03.14

Scale: 1:2

CAD Ref.: FTSDBB-CH

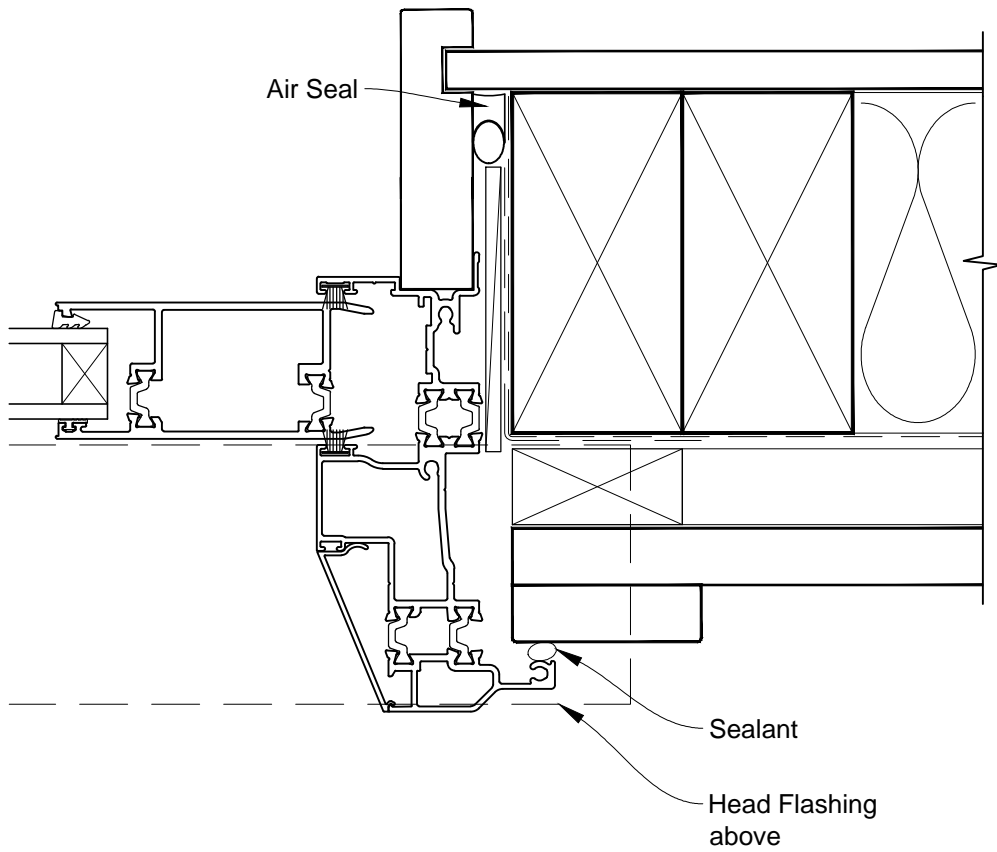


**INSTALLATION DETAIL - FIRST RESIDENTIAL THERMAL HEART
SLIDING DOOR ON BOARD & BATTEN
CAVITY CONSTRUCTION**

Date: 01.03.14

Scale: 1:2

CAD Ref.: FTSDBB-CJ

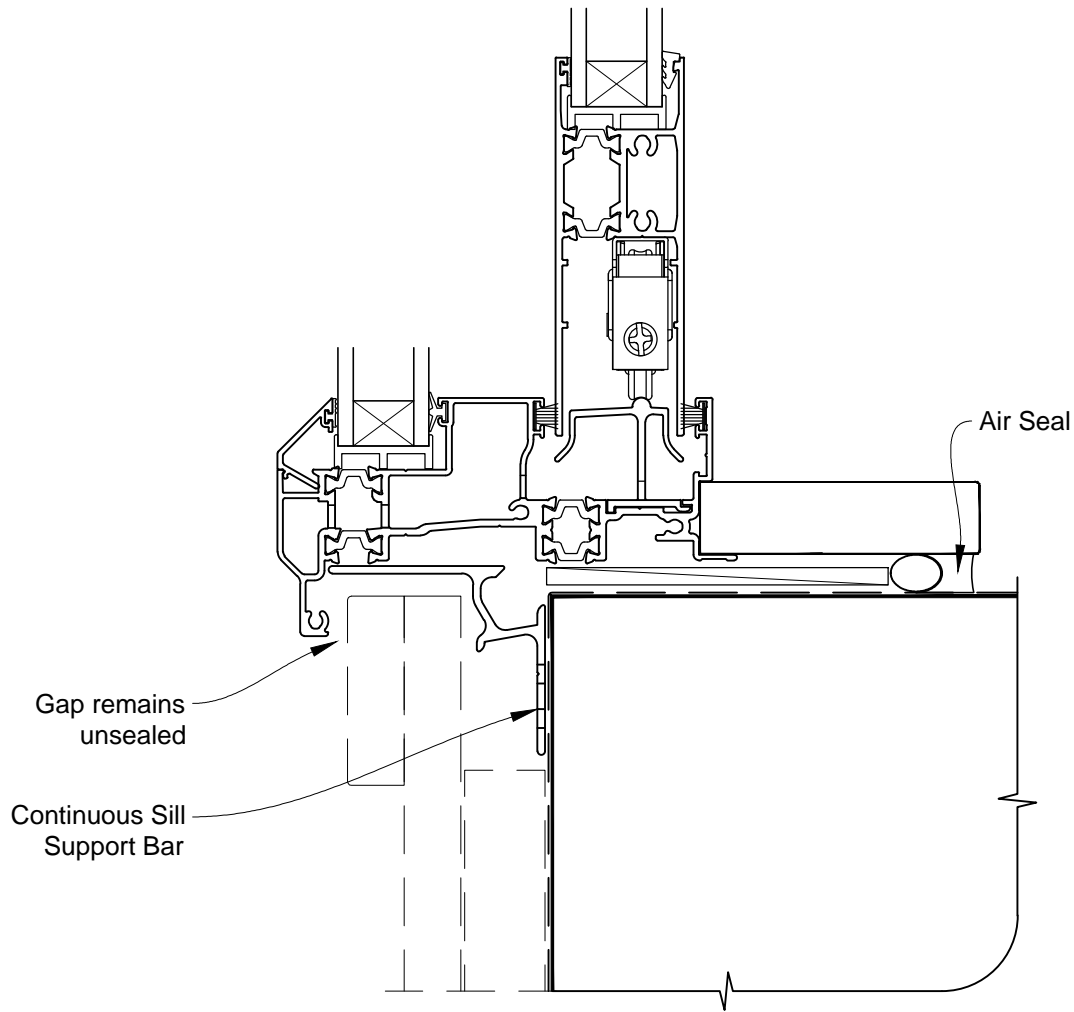


**INSTALLATION DETAIL - FIRST RESIDENTIAL THERMAL HEART
SLIDING DOOR ON BOARD & BATTEN
CAVITY CONSTRUCTION**

Date: 01.03.14

Scale: 1:2

CAD Ref.: FTSDBB-CS

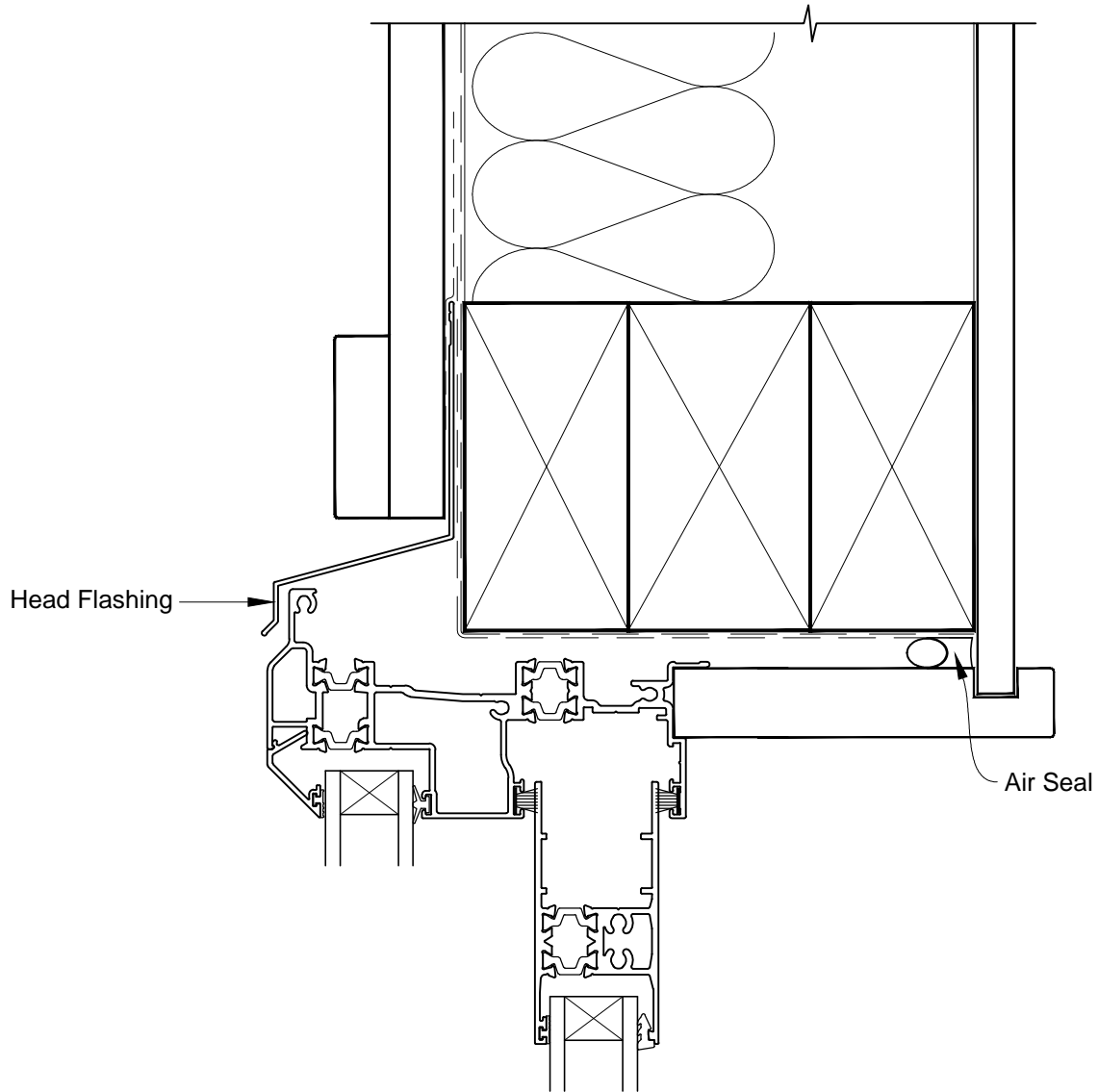


**INSTALLATION DETAIL - FIRST RESIDENTIAL THERMAL HEART
SLIDING DOOR ON BOARD & BATTEN
DIRECT FIXED CLADDING**

Date: 01.03.14

Scale: 1:2

CAD Ref.: FTSDBB-DH

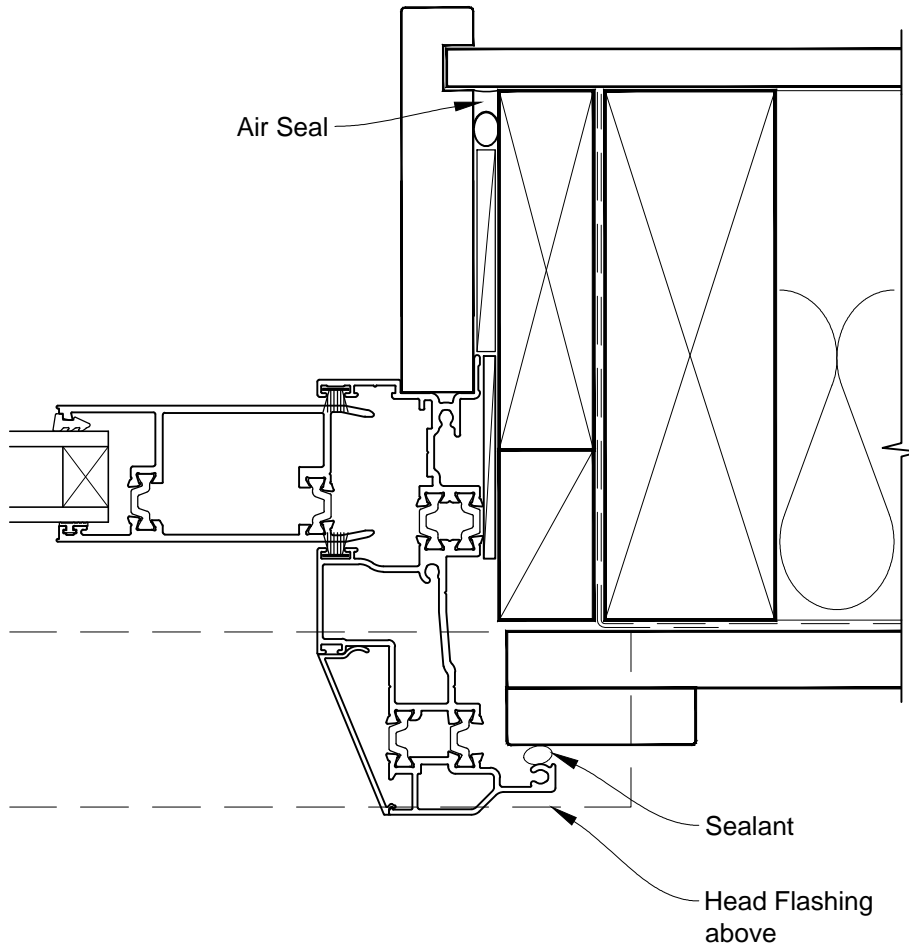


**INSTALLATION DETAIL - FIRST RESIDENTIAL THERMAL HEART
SLIDING DOOR ON BOARD & BATTEN
DIRECT FIXED CLADDING**

Date: 01.03.14

Scale: 1:2

CAD Ref.: FTSDBB-DJ



**INSTALLATION DETAIL - FIRST RESIDENTIAL THERMAL HEART
SLIDING DOOR ON BOARD & BATTEN
DIRECT FIXED CLADDING**

Date: 01.03.14

Scale: 1:2

CAD Ref.: FTSDDBB-DS

