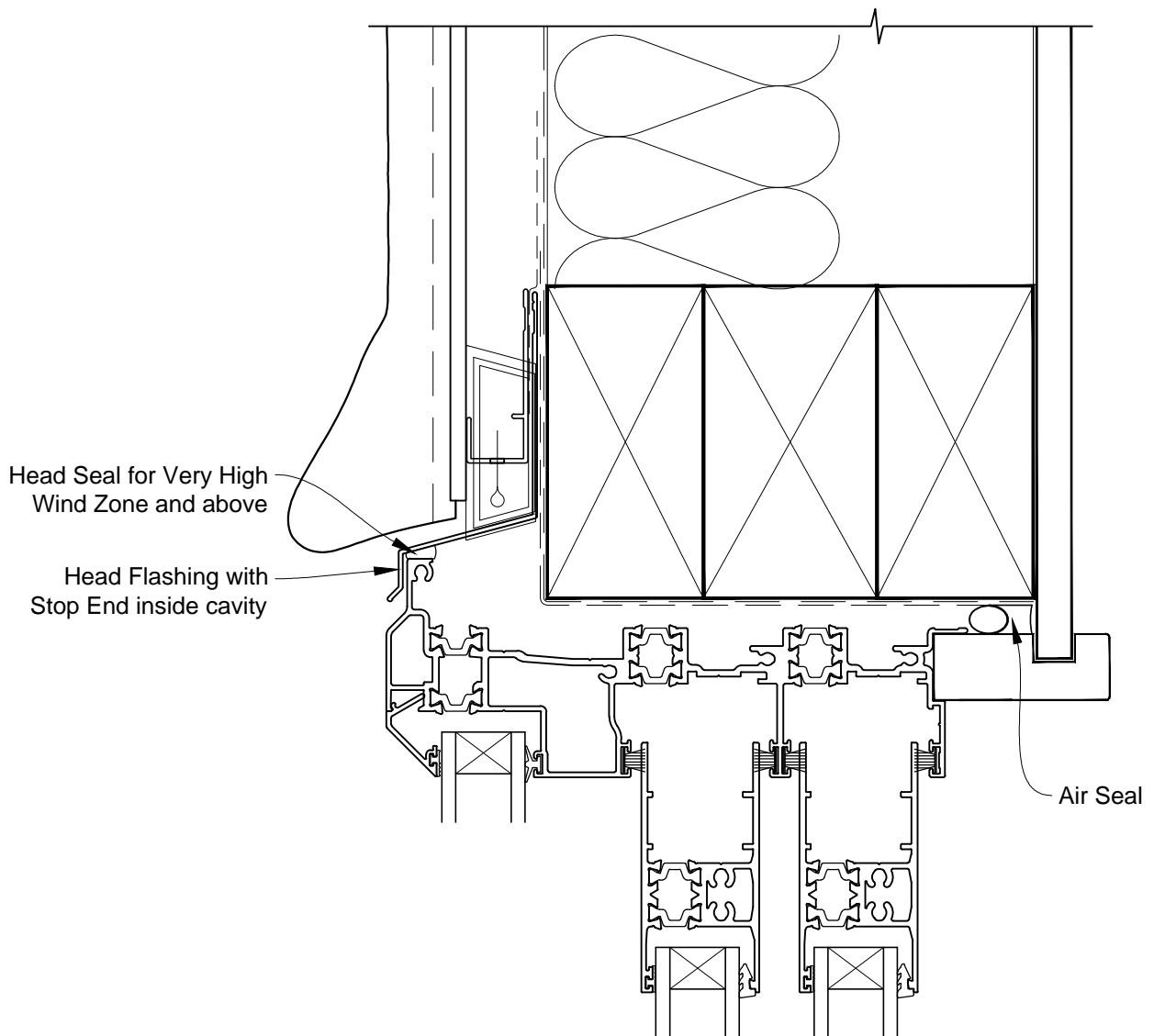


**INSTALLATION DETAIL - FIRST RESIDENTIAL THERMAL HEART
MULTISLIDER WINDOW ON STUCCO
CAVITY CONSTRUCTION**

Date: 01.03.14

Scale: 1:2

CAD Ref.: FTMWST-CH

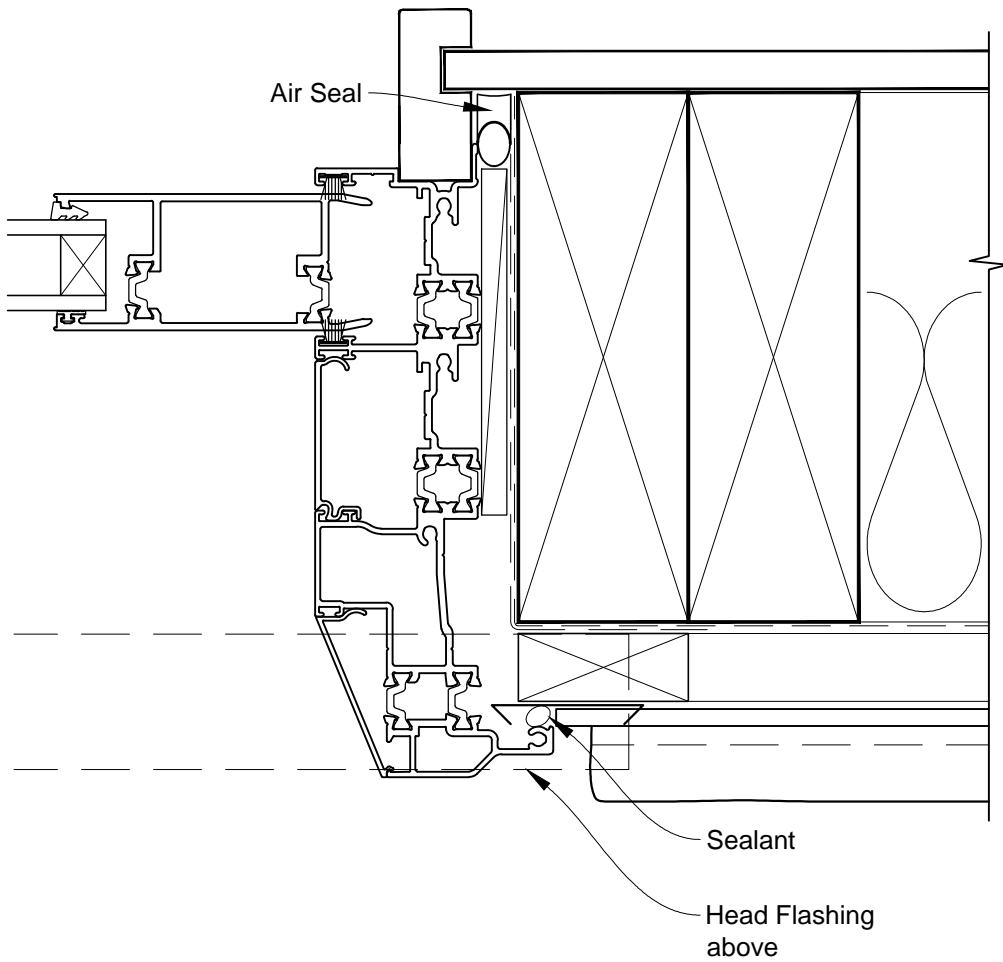


**INSTALLATION DETAIL - FIRST RESIDENTIAL THERMAL HEART
MULTISLIDER WINDOW ON STUCCO
CAVITY CONSTRUCTION**

Date: 01.03.14

Scale: 1:2

CAD Ref.: FTMWST-CJ

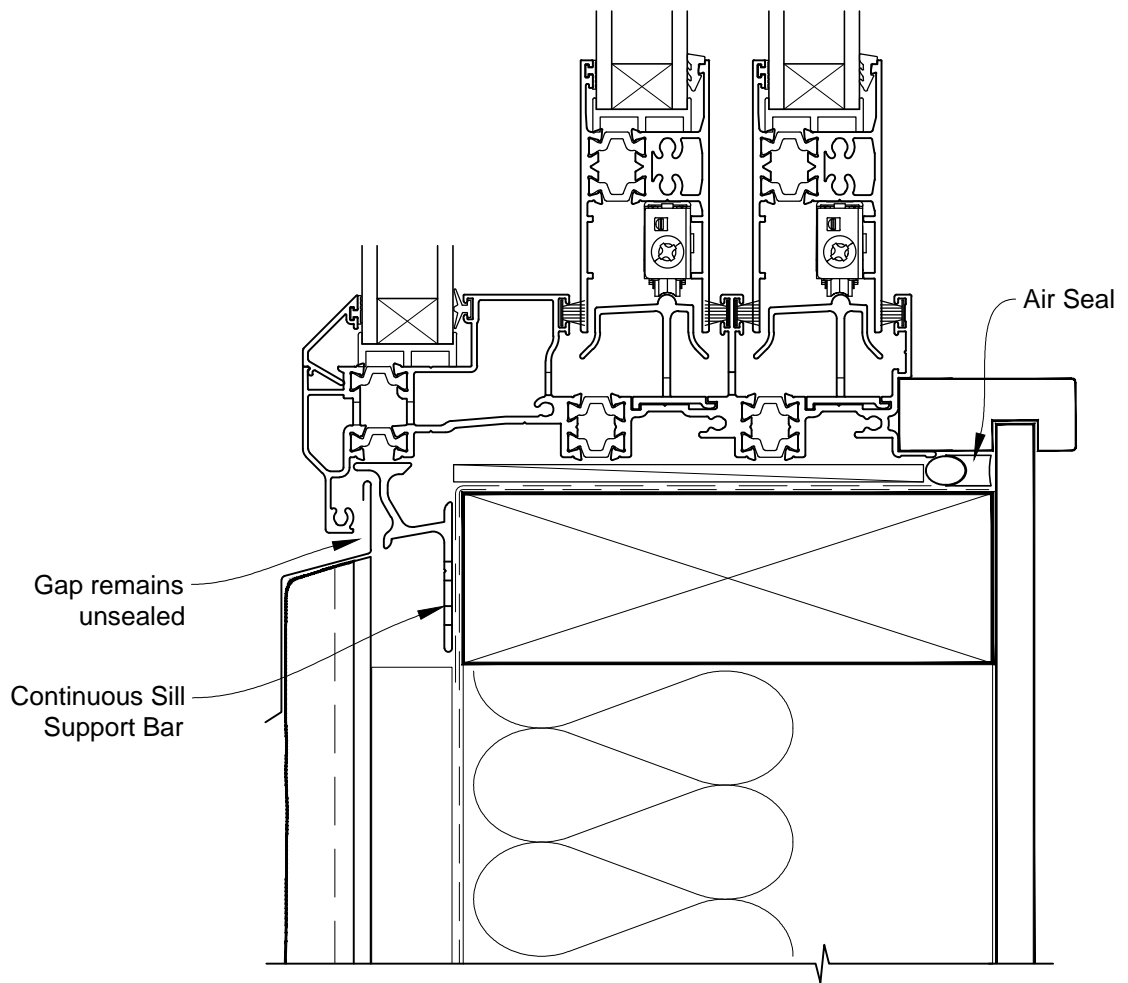


**INSTALLATION DETAIL - FIRST RESIDENTIAL THERMAL HEART
MULTISLIDER WINDOW ON STUCCO
CAVITY CONSTRUCTION**

Date: 01.03.14

Scale: 1:2

CAD Ref.: FTMWST-CS



**INSTALLATION DETAIL - FIRST RESIDENTIAL THERMAL HEART
MULTISLIDER WINDOW ON STUCCO
CAVITY CONSTRUCTION**

Date: 01.03.14

Scale: 1:2

CAD Ref.: FTMWST-CS2

