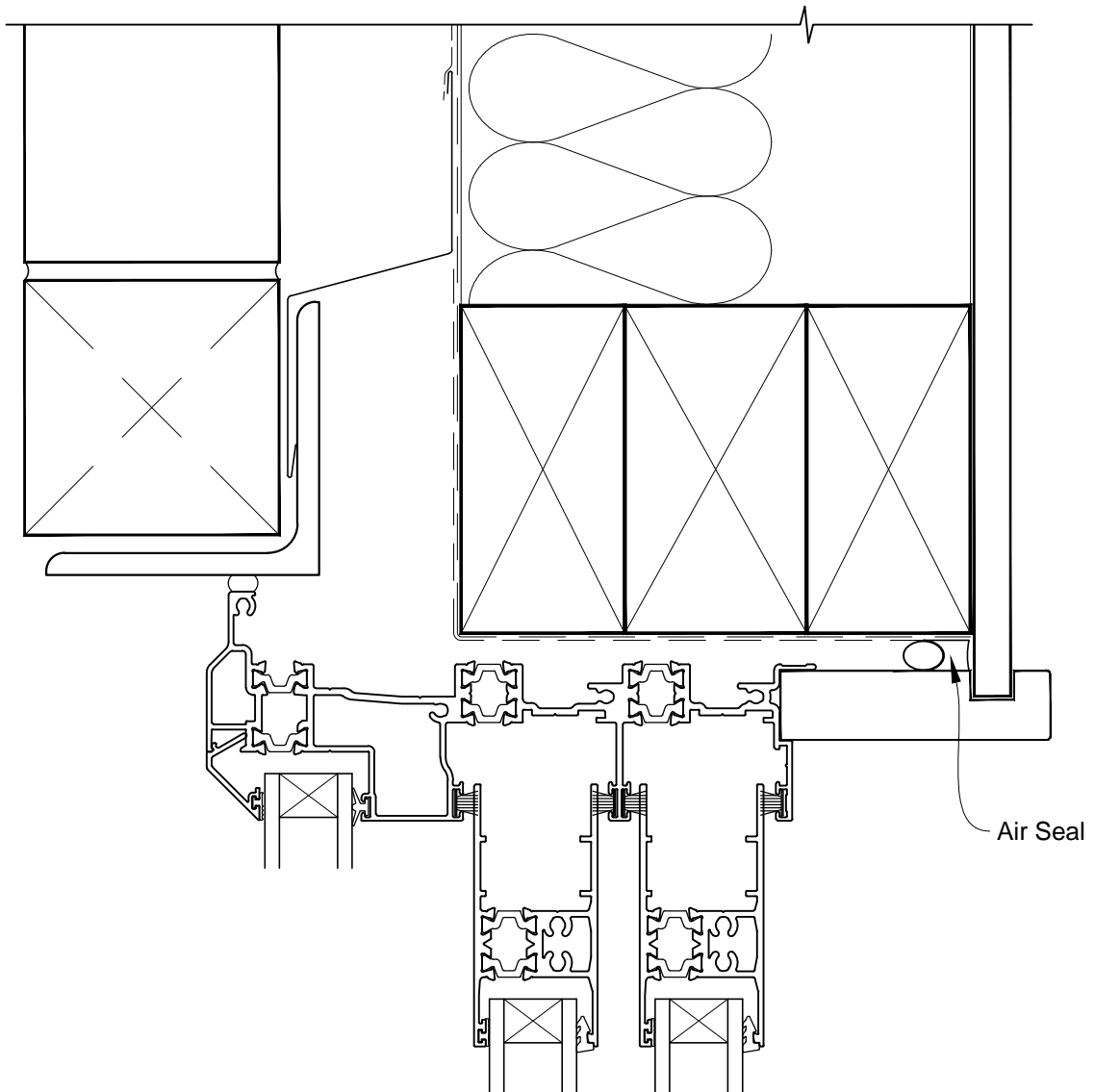


**INSTALLATION DETAIL - FIRST RESIDENTIAL THERMAL HEART
MULTISLIDER WINDOW ON BRICK VENEER
CAVITY CONSTRUCTION**

Date: 01.03.14

Scale: 1:2

CAD Ref.: FTMWBV-CH

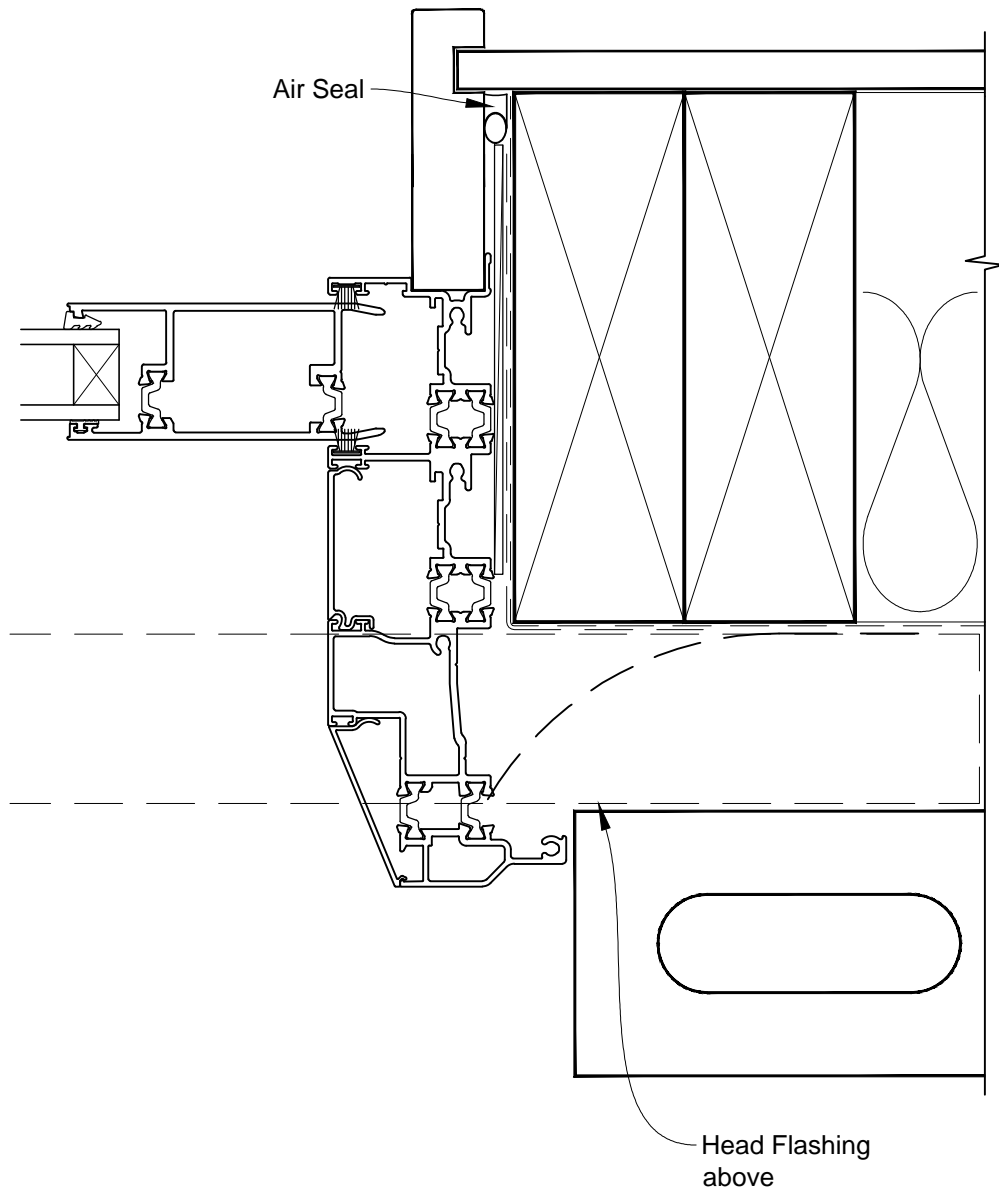


**INSTALLATION DETAIL - FIRST RESIDENTIAL THERMAL HEART
MULTISLIDER WINDOW ON BRICK VENEER
CAVITY CONSTRUCTION**

Date: 01.03.14

Scale: 1:2

CAD Ref.: FTMWBV-CJ

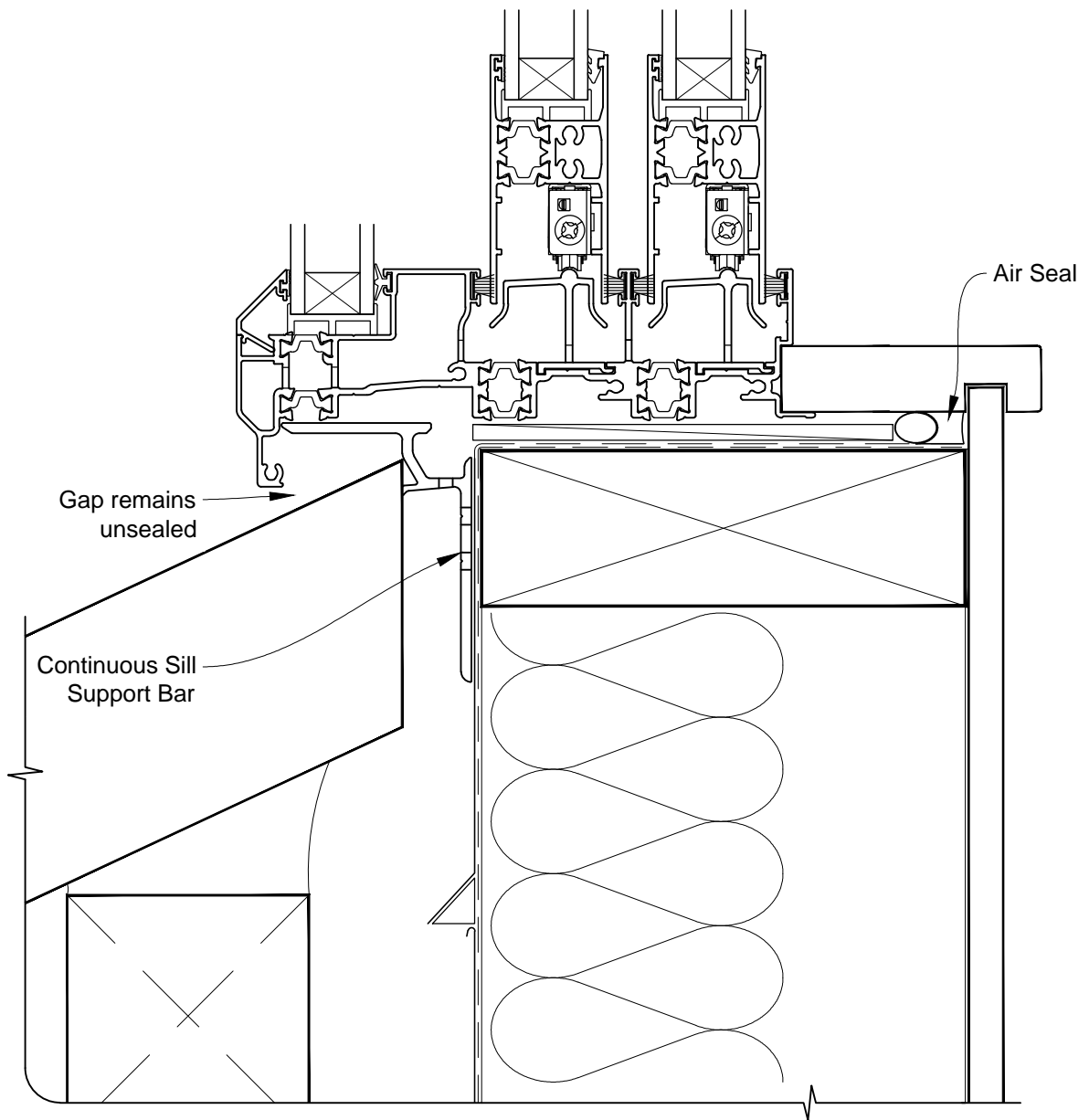


**INSTALLATION DETAIL - FIRST RESIDENTIAL THERMAL HEART
MULTISLIDER WINDOW ON BRICK VENEER
CAVITY CONSTRUCTION**

Date: 01.03.14

Scale: 1:2

CAD Ref.: FTMWBV-CS



**INSTALLATION DETAIL - FIRST RESIDENTIAL THERMAL HEART
MULTISLIDER WINDOW ON BRICK VENEER
CAVITY CONSTRUCTION**

Date: 01.03.14

Scale: 1:2

CAD Ref.: FTMWBV-CS2

