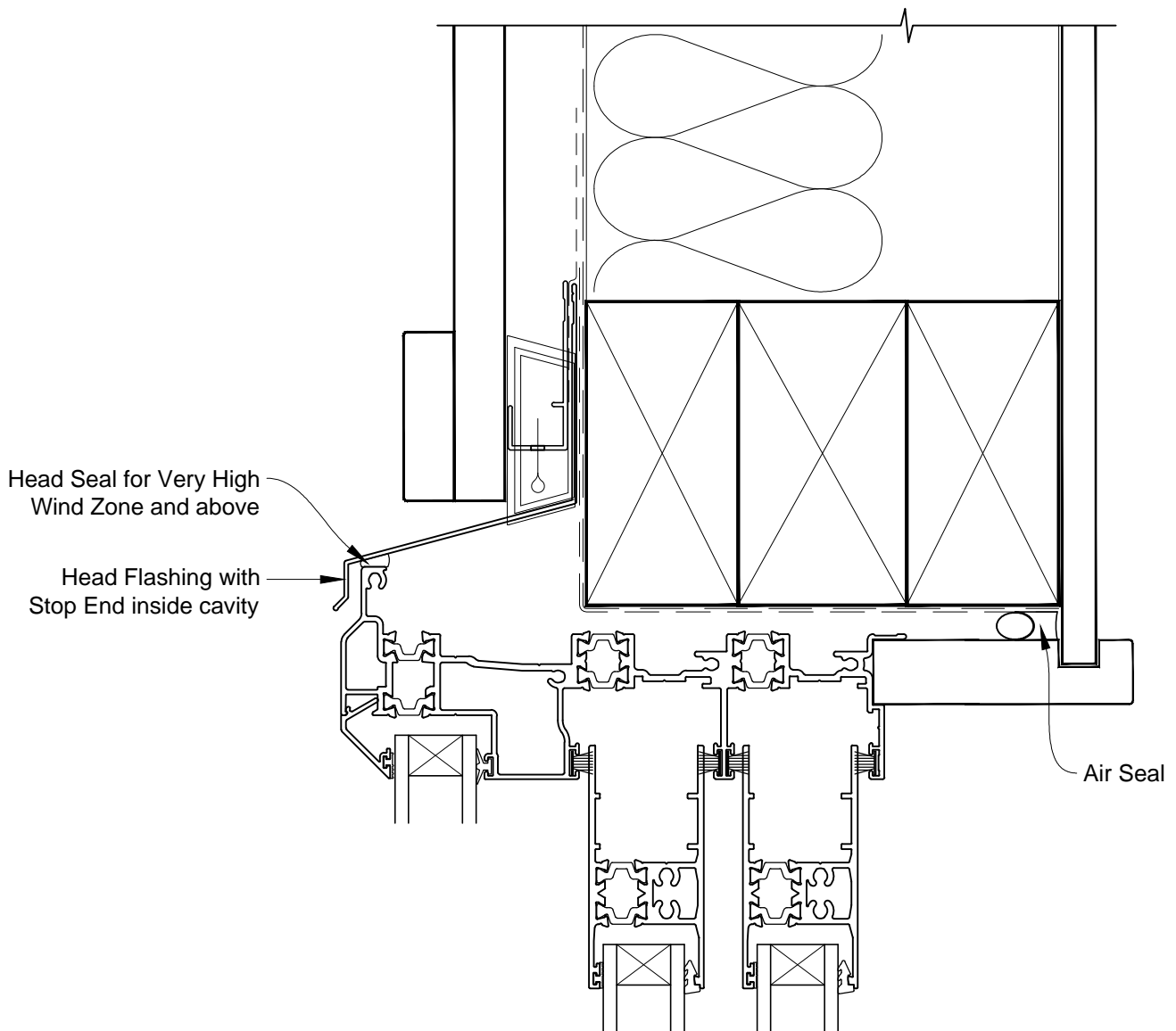


**INSTALLATION DETAIL - FIRST RESIDENTIAL THERMAL HEART
MULTISLIDER WINDOW ON BOARD & BATTEN
CAVITY CONSTRUCTION**

Date: 01.03.14

Scale: 1:2

CAD Ref.: FTMWBB-CH

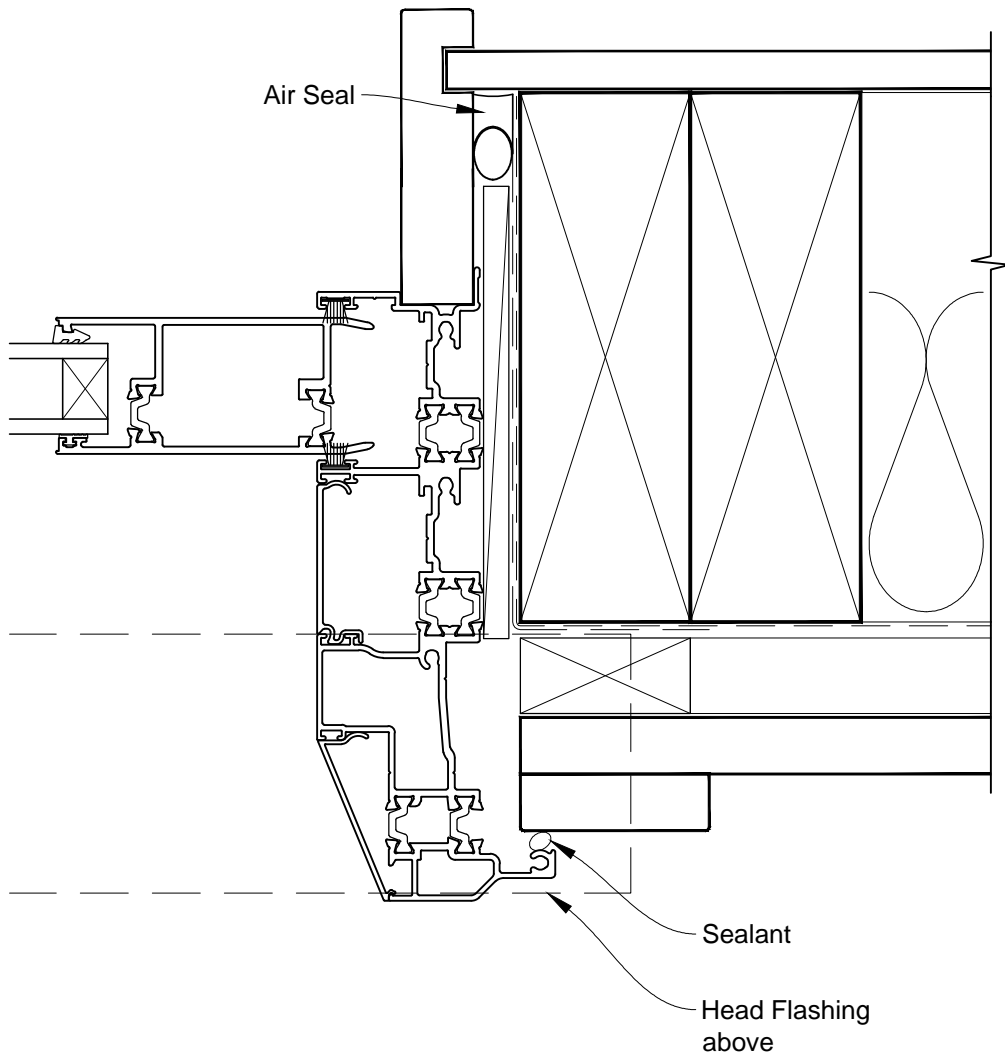


**INSTALLATION DETAIL - FIRST RESIDENTIAL THERMAL HEART
MULTISLIDER WINDOW ON BOARD & BATTEN
CAVITY CONSTRUCTION**

Date: 01.03.14

Scale: 1:2

CAD Ref.: FTMWBB-CJ

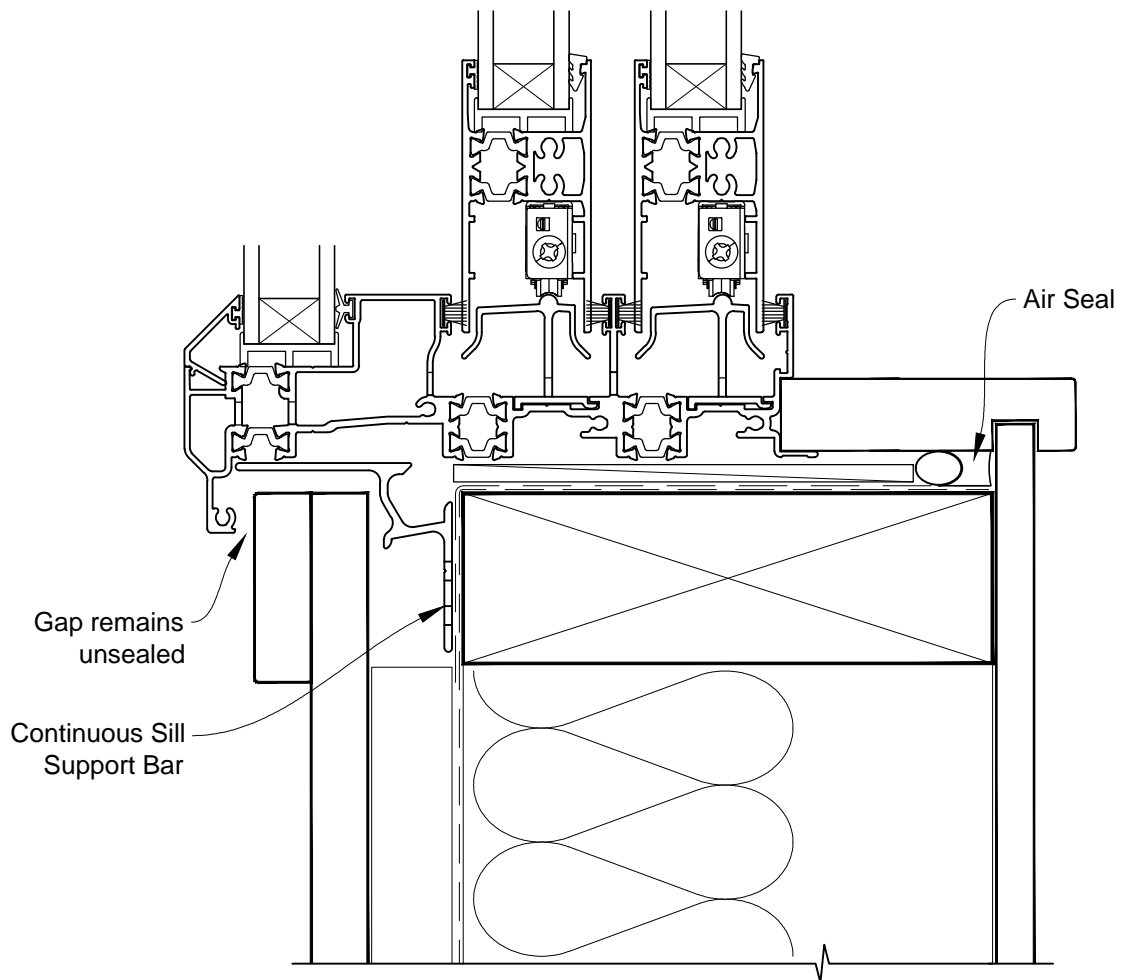


**INSTALLATION DETAIL - FIRST RESIDENTIAL THERMAL HEART
MULTISLIDER WINDOW ON BOARD & BATTEN
CAVITY CONSTRUCTION**

Date: 01.03.14

Scale: 1:2

CAD Ref.: FTMWBB-CS

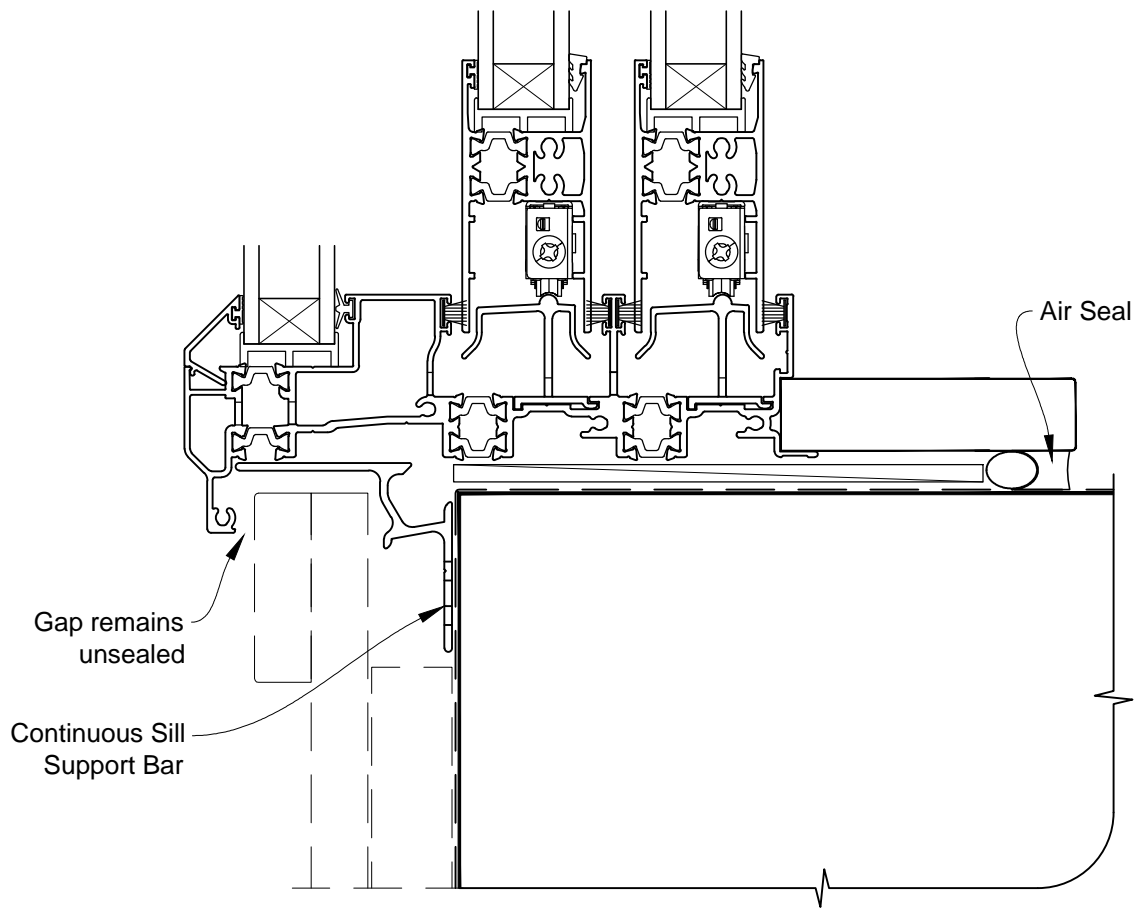


**INSTALLATION DETAIL - FIRST RESIDENTIAL THERMAL HEART
MULTISLIDER WINDOW ON BOARD & BATTEN
CAVITY CONSTRUCTION**

Date: 01.03.14

Scale: 1:2

CAD Ref.: FTMWBB-CS2

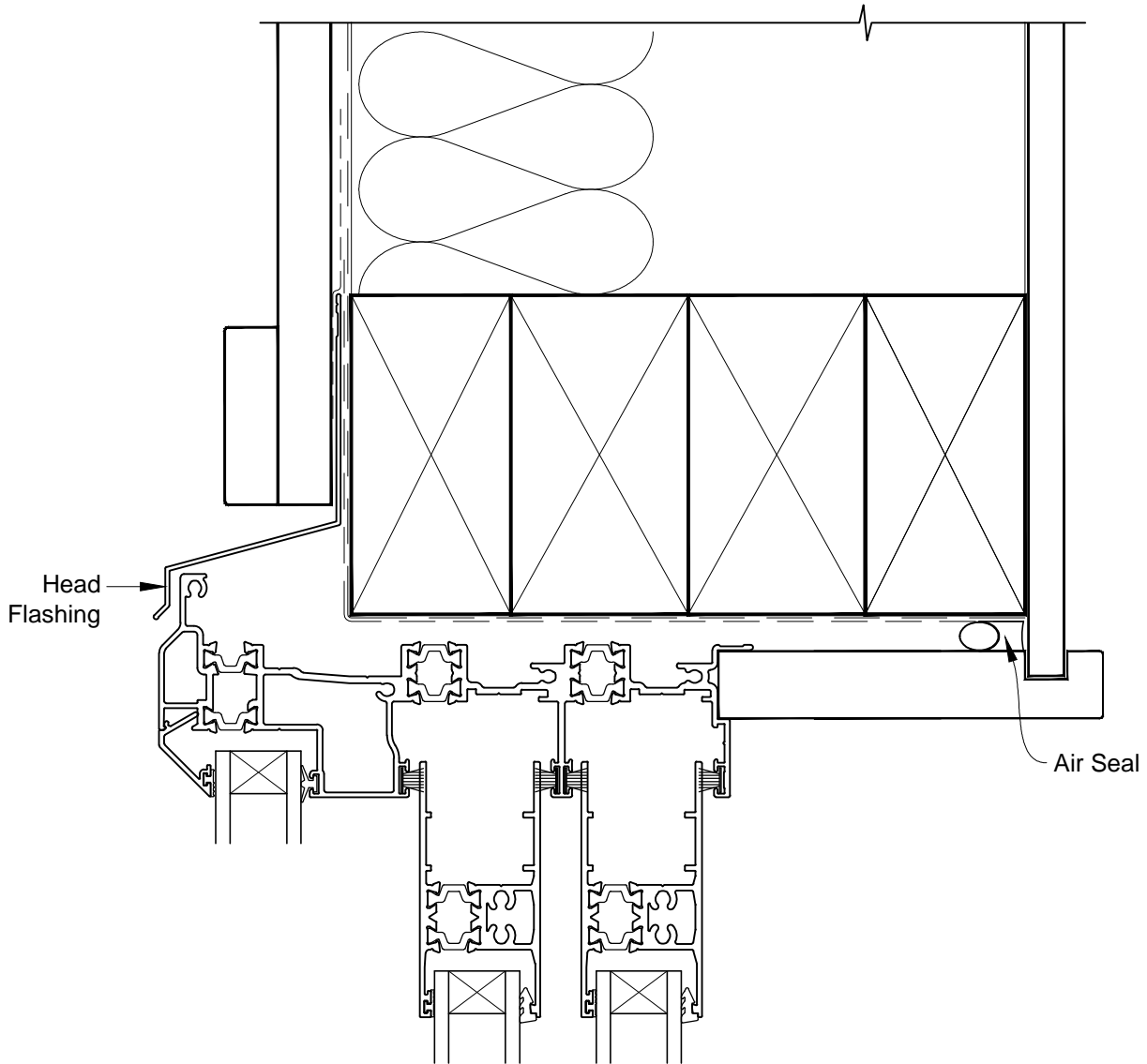


**INSTALLATION DETAIL - FIRST RESIDENTIAL THERMAL HEART
MULTISLIDER WINDOW ON BOARD & BATTEN
DIRECT FIXED CLADDING**

Date: 01.03.14

Scale: 1:2

CAD Ref.: FTMWBB-DH

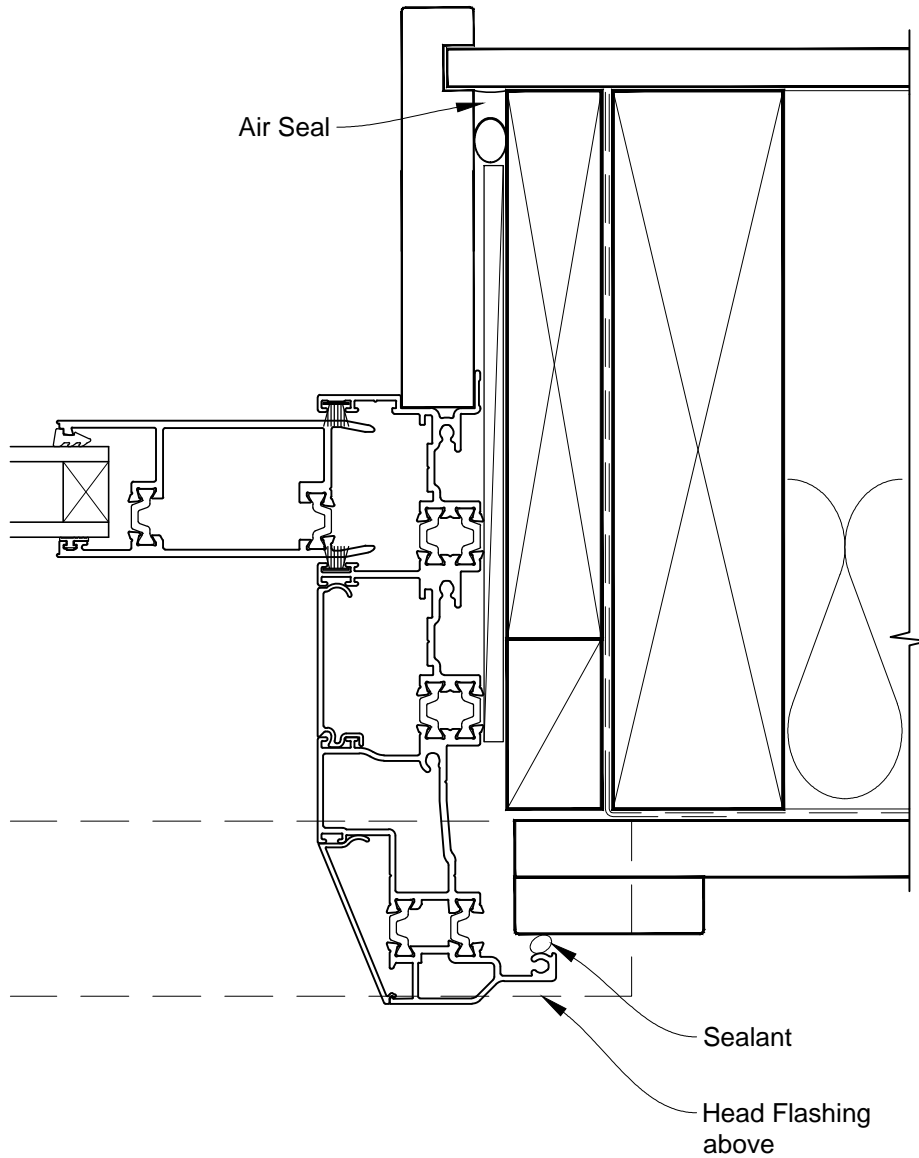


**INSTALLATION DETAIL - FIRST RESIDENTIAL THERMAL HEART
MULTISLIDER WINDOW ON BOARD & BATTEN
DIRECT FIXED CLADDING**

Date: 01.03.14

Scale: 1:2

CAD Ref.: FTMWBB-DJ

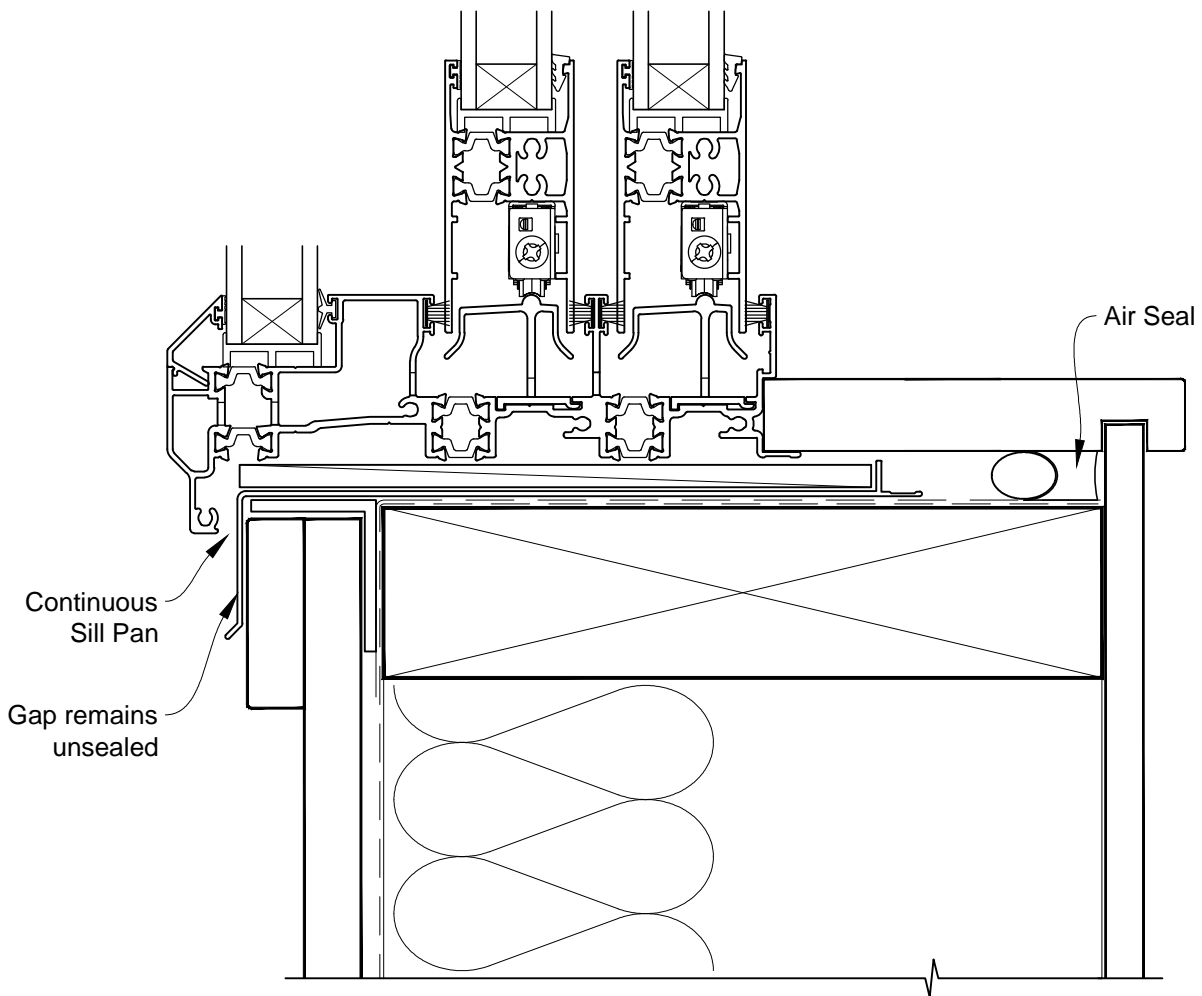


**INSTALLATION DETAIL - FIRST RESIDENTIAL THERMAL HEART
MULTISLIDER WINDOW ON BOARD & BATTEN
DIRECT FIXED CLADDING**

Date: 01.03.14

Scale: 1:2

CAD Ref.: FTMWBB-DS



**INSTALLATION DETAIL - FIRST RESIDENTIAL THERMAL HEART
MULTISLIDER WINDOW ON BOARD & BATTEN
DIRECT FIXED CLADDING**

Date: 01.03.14

Scale: 1:2

CAD Ref.: FTMWBB-DS2

