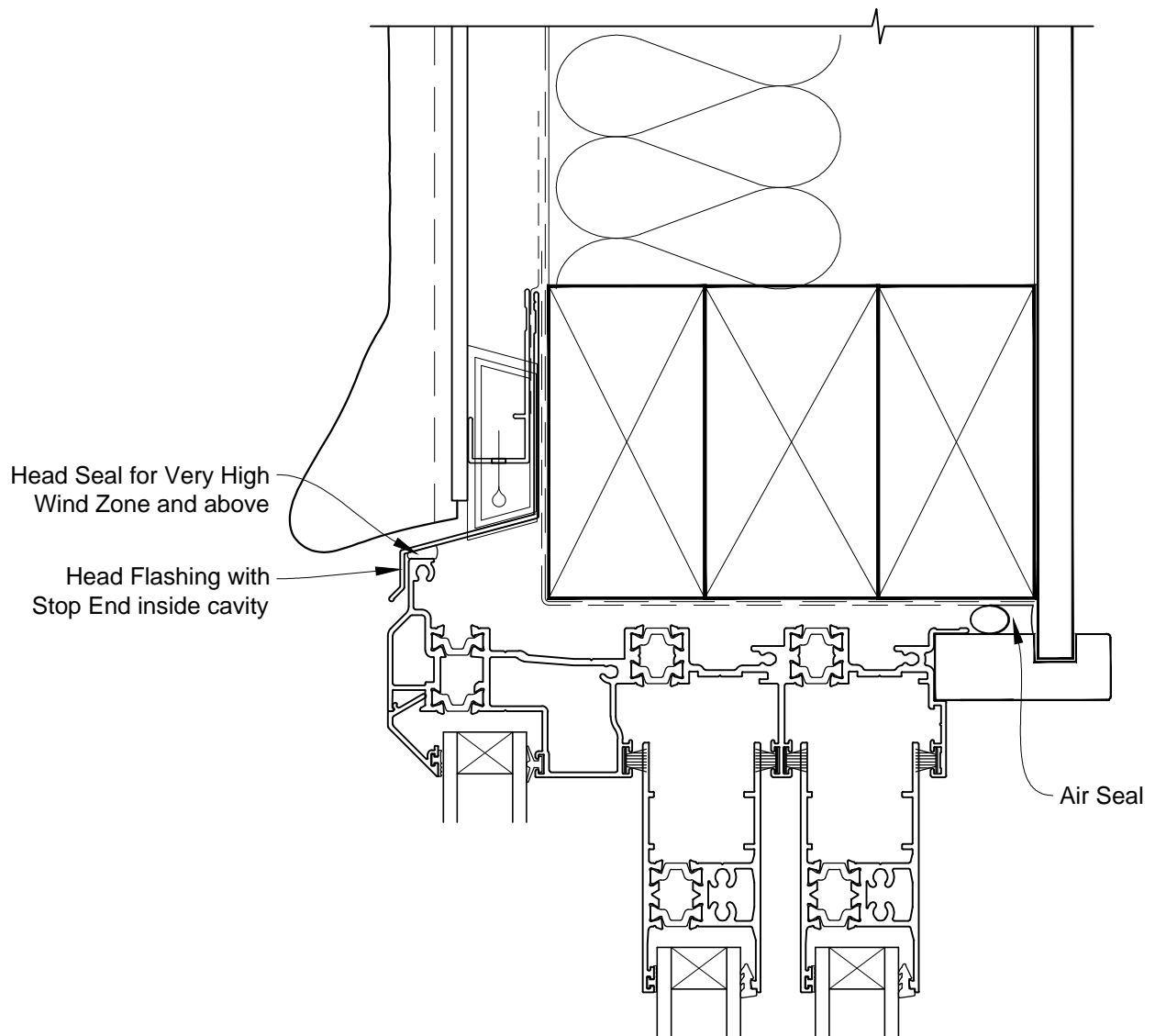


**INSTALLATION DETAIL - FIRST RESIDENTIAL THERMAL HEART  
MULTISLIDER DOOR ON STUCCO  
CAVITY CONSTRUCTION**

Date: 01.03.14

Scale: 1:2

CAD Ref.: FTMDST-CH

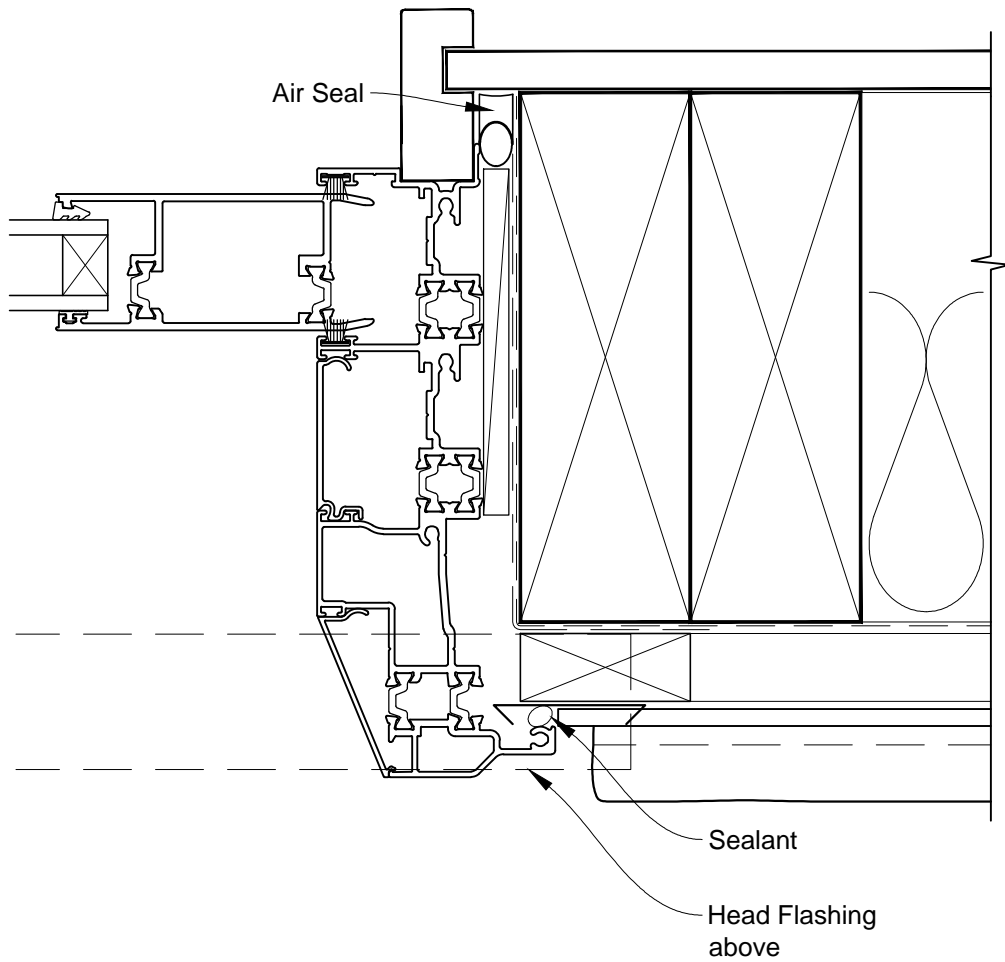


**INSTALLATION DETAIL - FIRST RESIDENTIAL THERMAL HEART  
MULTISLIDER DOOR ON STUCCO  
CAVITY CONSTRUCTION**

Date: 01.03.14

Scale: 1:2

CAD Ref.: FTMDST-CJ



**INSTALLATION DETAIL - FIRST RESIDENTIAL THERMAL HEART  
MULTISLIDER DOOR ON STUCCO  
CAVITY CONSTRUCTION**

Date: 01.03.14

Scale: 1:2

CAD Ref.: FTMDST-CS

