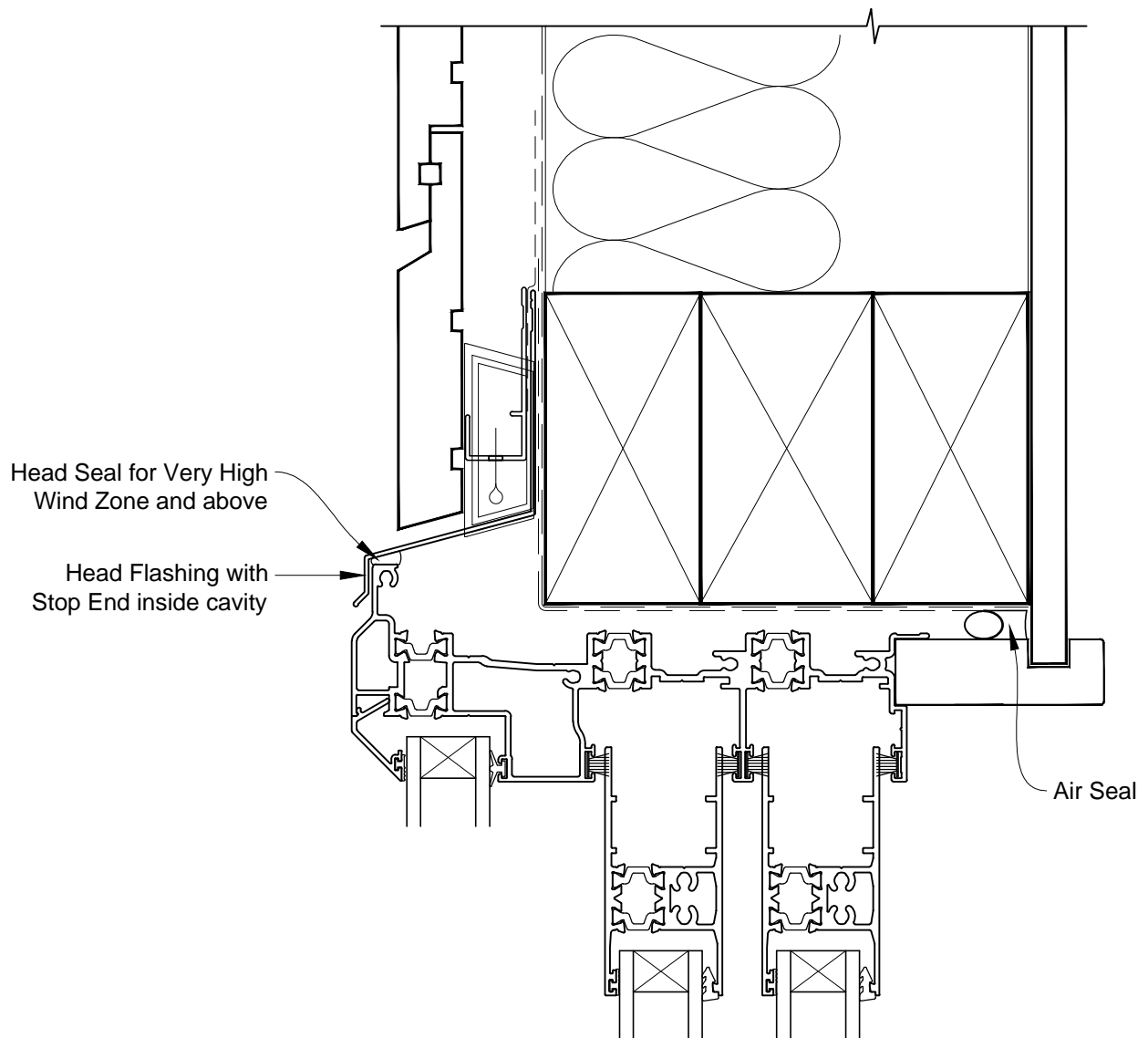


**INSTALLATION DETAIL - FIRST RESIDENTIAL THERMAL HEART  
MULTISLIDER DOOR ON RUSTICATED WEATHERBOARD  
CAVITY CONSTRUCTION**

Date: 01.03.14

Scale: 1:2

CAD Ref.: FTMDRW-CH

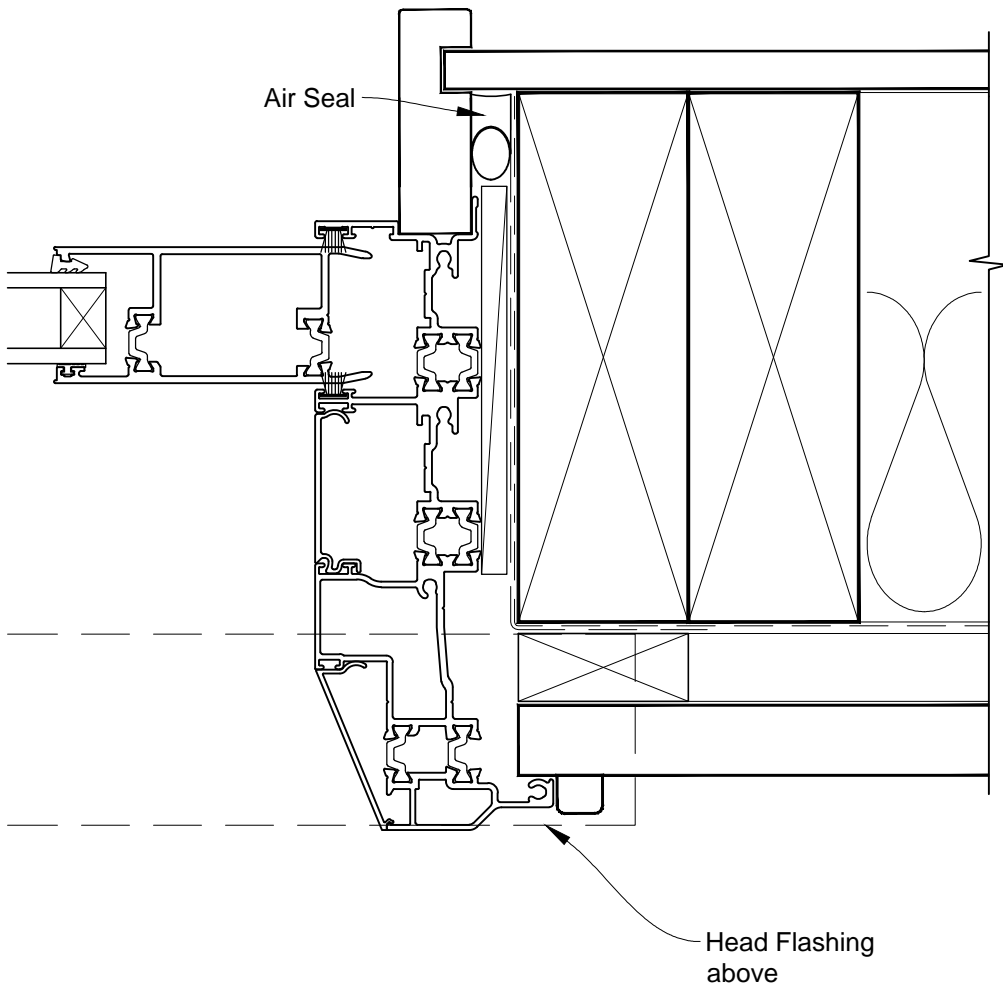


**INSTALLATION DETAIL - FIRST RESIDENTIAL THERMAL HEART  
MULTISLIDER DOOR ON RUSTICATED WEATHERBOARD  
CAVITY CONSTRUCTION**

Date: 01.03.14

Scale: 1:2

CAD Ref.: FTMDRW-CJ

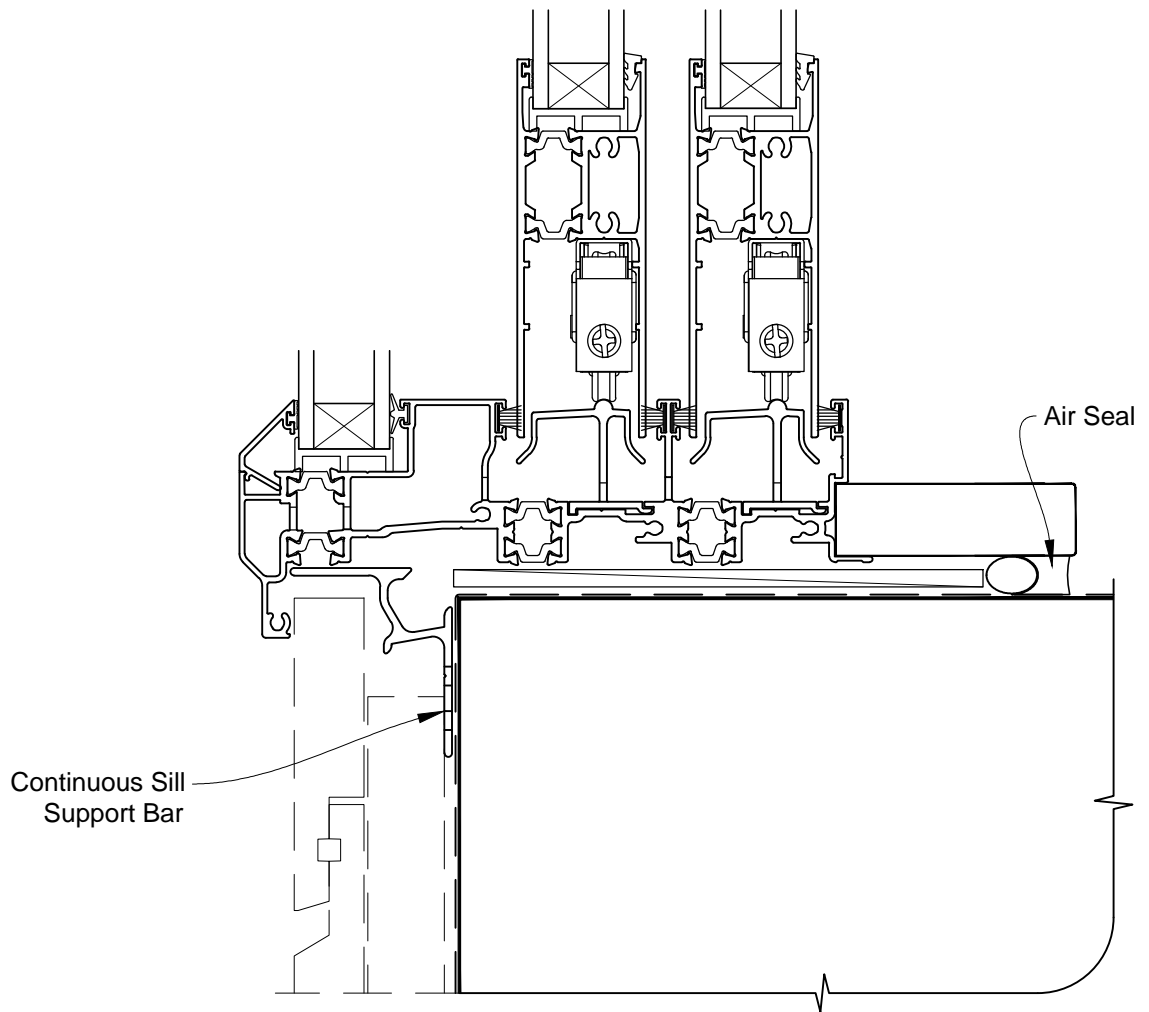


**INSTALLATION DETAIL - FIRST RESIDENTIAL THERMAL HEART  
MULTISLIDER DOOR ON RUSTICATED WEATHERBOARD  
CAVITY CONSTRUCTION**

Date: 01.03.14

Scale: 1:2

CAD Ref.: FTMDRW-CS

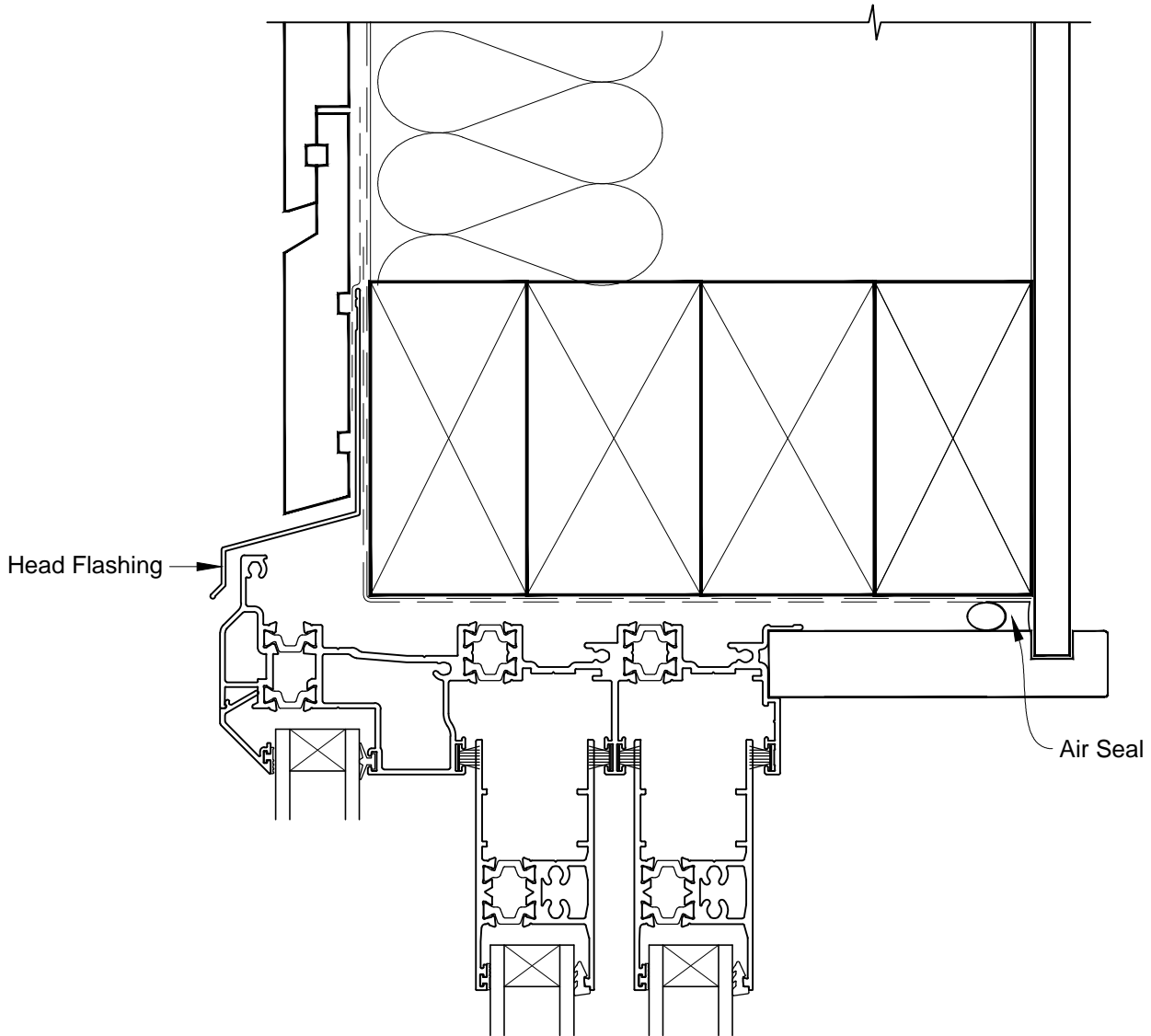


**INSTALLATION DETAIL - FIRST RESIDENTIAL THERMAL HEART  
MULTISLIDER DOOR ON RUSTICATED WEATHERBOARD  
DIRECT FIXED CLADDING**

Date: 01.03.14

Scale: 1:2

CAD Ref.: FTMDRW-DH

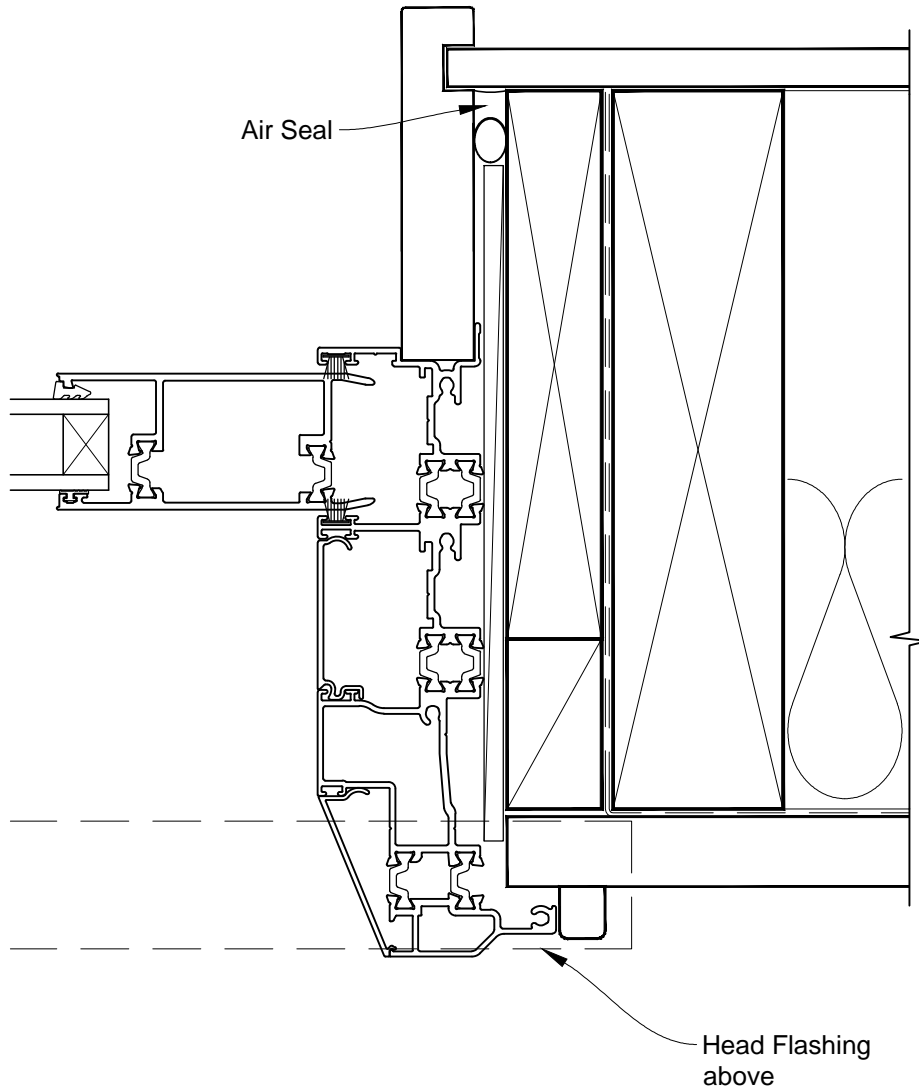


**INSTALLATION DETAIL - FIRST RESIDENTIAL THERMAL HEART  
MULTISLIDER DOOR ON RUSTICATED WEATHERBOARD  
DIRECT FIXED CLADDING**

Date: 01.03.14

Scale: 1:2

CAD Ref.: FTMDRW-DJ



**INSTALLATION DETAIL - FIRST RESIDENTIAL THERMAL HEART  
MULTISLIDER DOOR ON RUSTICATED WEATHERBOARD  
DIRECT FIXED CLADDING**

Date: 01.03.14

Scale: 1:2

CAD Ref.: FTMDRW-DS

