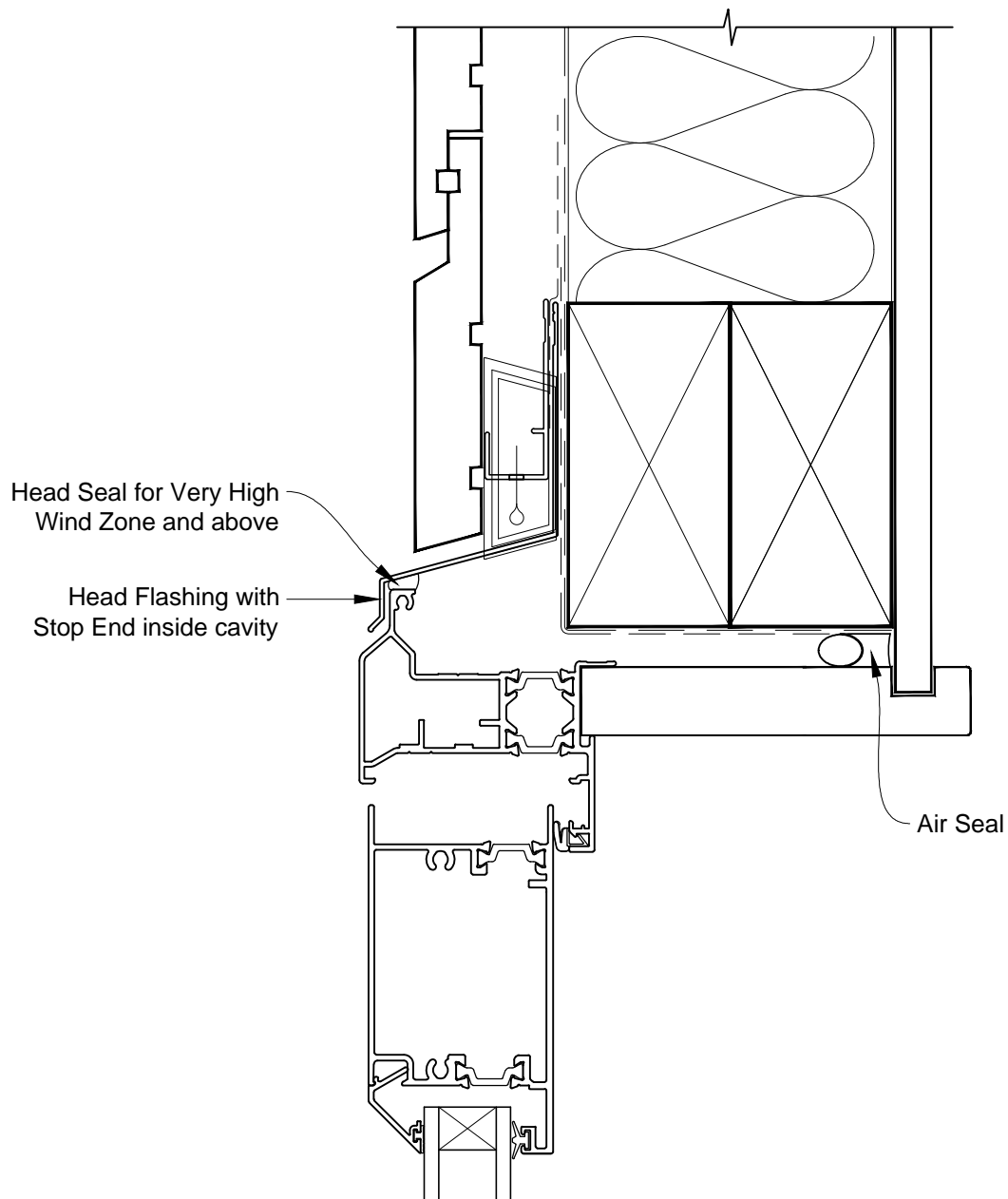


**INSTALLATION DETAIL - FIRST RESIDENTIAL THERMAL HEART
HINGED DOOR OPEN OUT ON RUSTICATED WEATHERBOARD
CAVITY CONSTRUCTION**

Date: 01.03.14

Scale: 1:2

CAD Ref.: FTHORW-CH

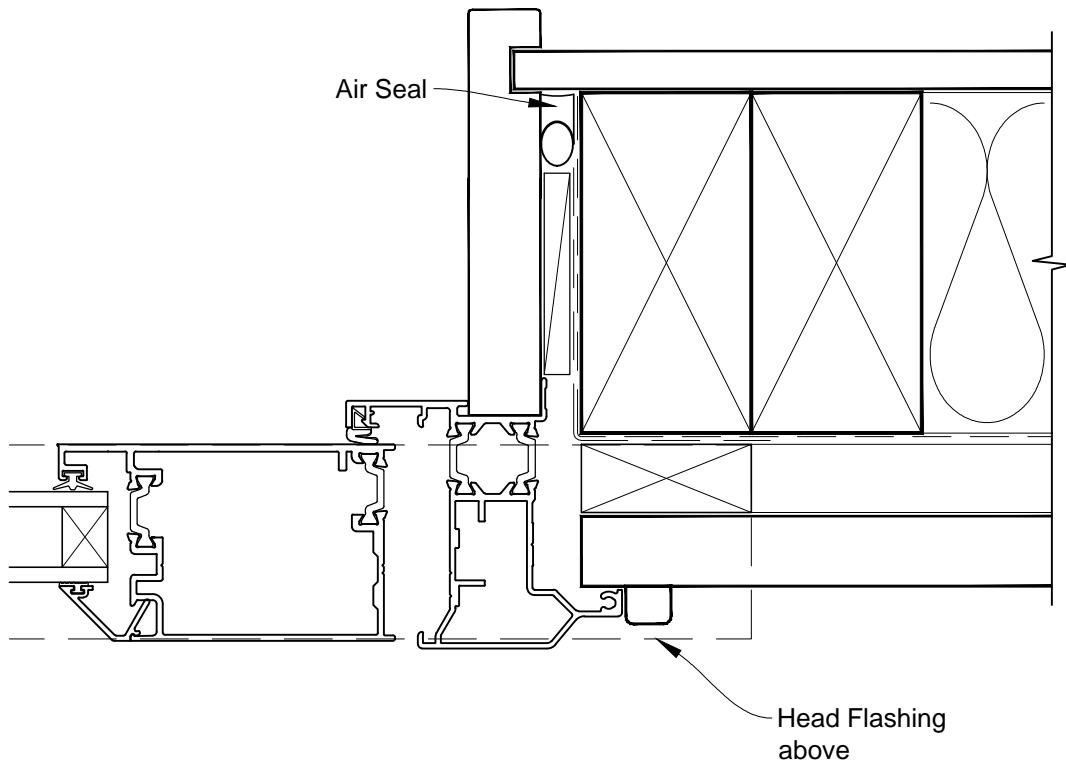


**INSTALLATION DETAIL - FIRST RESIDENTIAL THERMAL HEART
HINGED DOOR OPEN OUT ON RUSTICATED WEATHERBOARD
CAVITY CONSTRUCTION**

Date: 01.03.14

Scale: 1:2

CAD Ref.: FTHORW-CJ

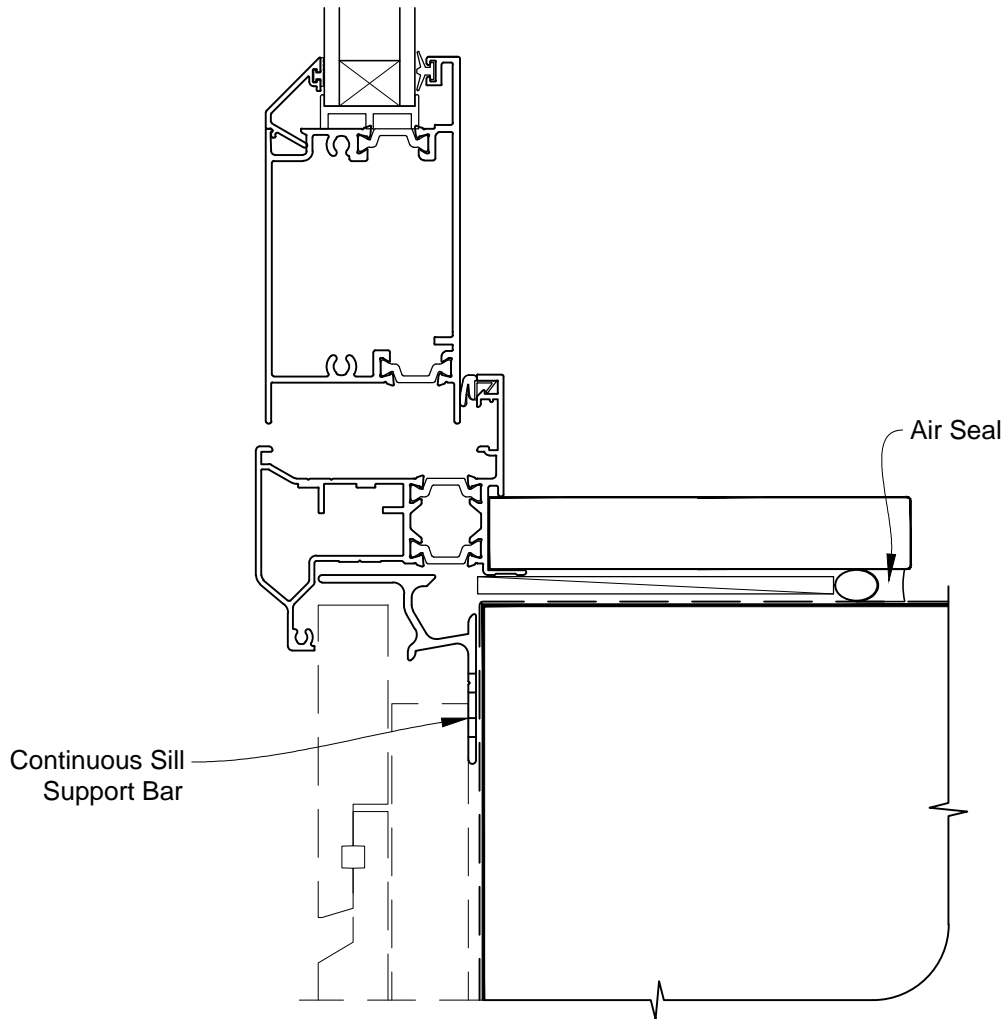


**INSTALLATION DETAIL - FIRST RESIDENTIAL THERMAL HEART
HINGED DOOR OPEN OUT ON RUSTICATED WEATHERBOARD
CAVITY CONSTRUCTION**

Date: 01.03.14

Scale: 1:2

CAD Ref.: FTHORW-CS

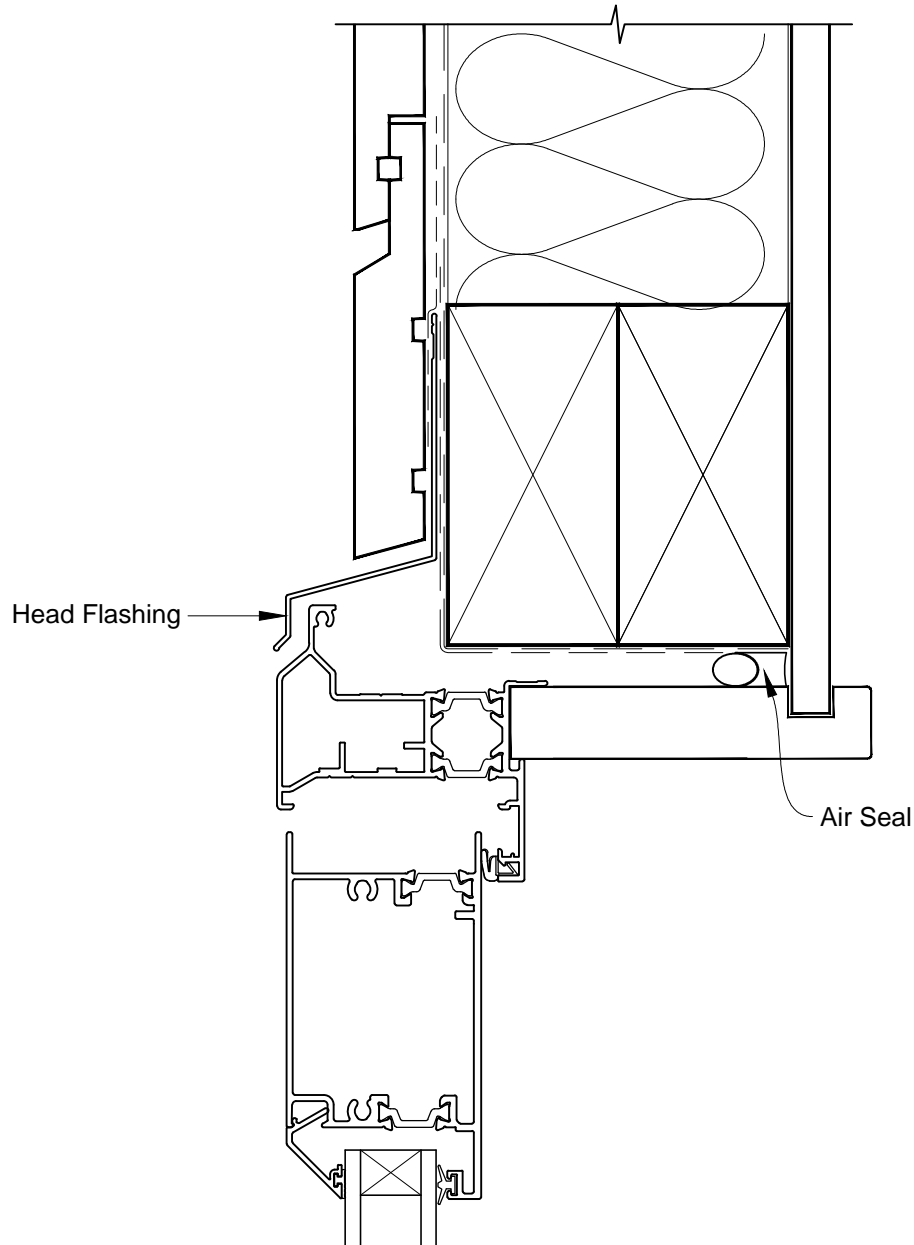


**INSTALLATION DETAIL - VANTAGE RESIDENTIAL THERMAL
HINGED DOOR OPEN OUT ON RUSTICATED WEATHERBOARD
DIRECT FIXED CLADDING**

Date: 01.03.14

Scale: 1:2

CAD Ref.: FTHORW-DH

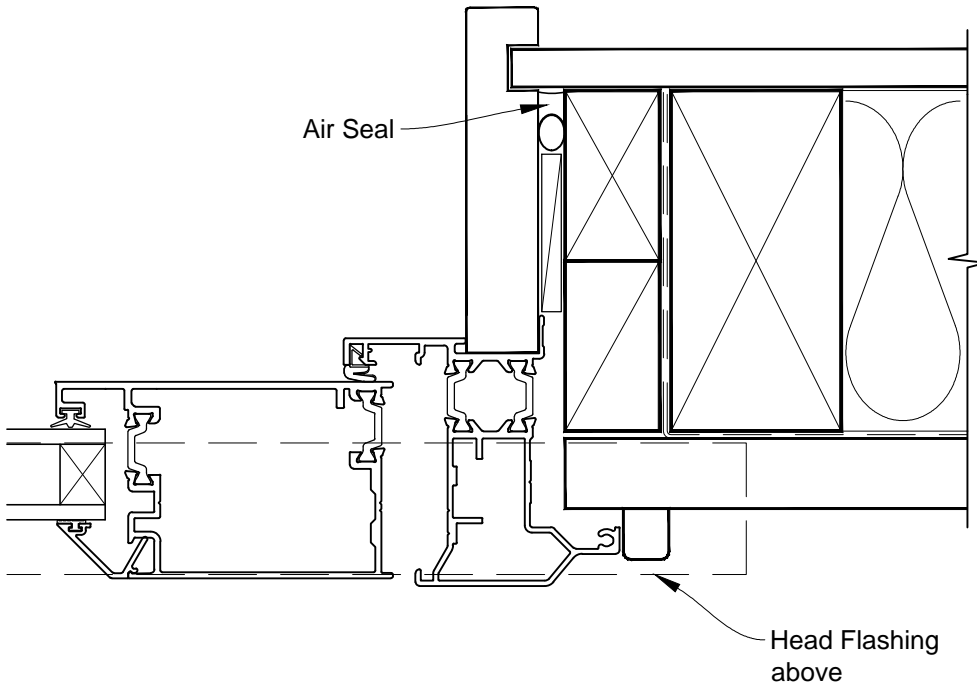


**INSTALLATION DETAIL - VANTAGE RESIDENTIAL THERMAL
HINGED DOOR OPEN OUT ON RUSTICATED WEATHERBOARD
DIRECT FIXED CLADDING**

Date: 01.03.14

Scale: 1:2

CAD Ref.: FTHORW-DJ



**INSTALLATION DETAIL - VANTAGE RESIDENTIAL THERMAL
HINGED DOOR OPEN OUT ON RUSTICATED WEATHERBOARD
DIRECT FIXED CLADDING**

Date: 01.03.14

Scale: 1:2

CAD Ref.: FTHORW-DS

