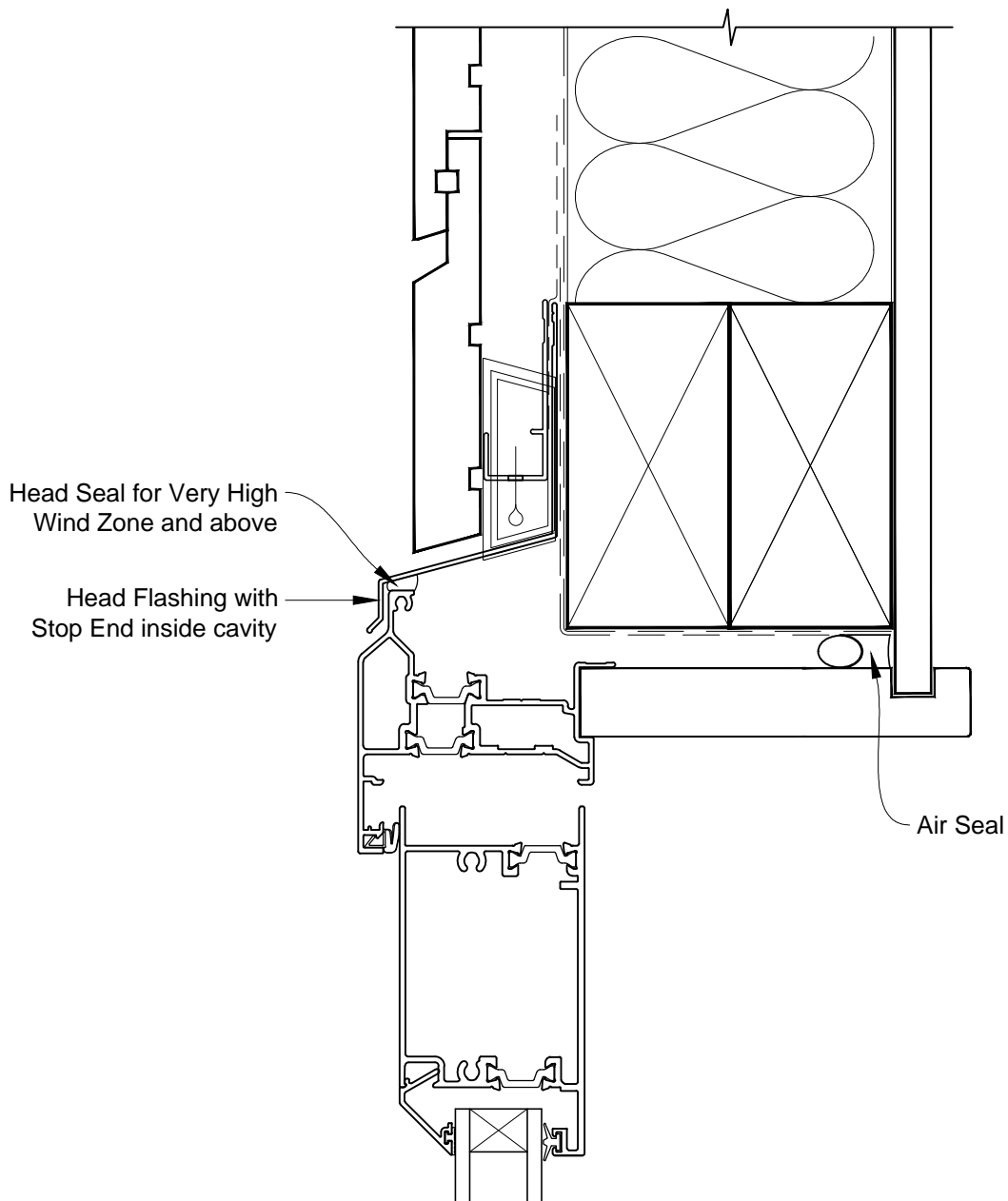


**INSTALLATION DETAIL - FIRST RESIDENTIAL THERMAL HEART
HINGED DOOR OPEN IN ON RUSTICATED WEATHERBOARD
CAVITY CONSTRUCTION**

Date: 01.03.14

Scale: 1:2

CAD Ref.: FTHIRW-CH

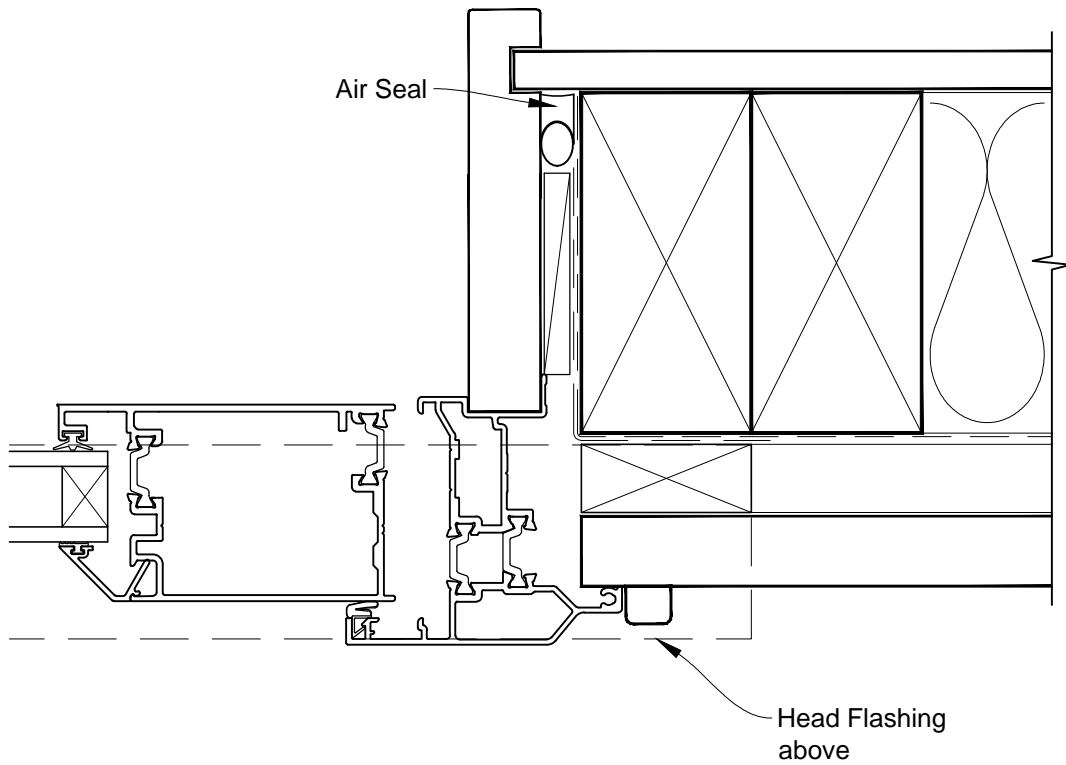


**INSTALLATION DETAIL - FIRST RESIDENTIAL THERMAL HEART
HINGED DOOR OPEN IN ON RUSTICATED WEATHERBOARD
CAVITY CONSTRUCTION**

Date: 01.03.14

Scale: 1:2

CAD Ref.: FTHIRW-CJ

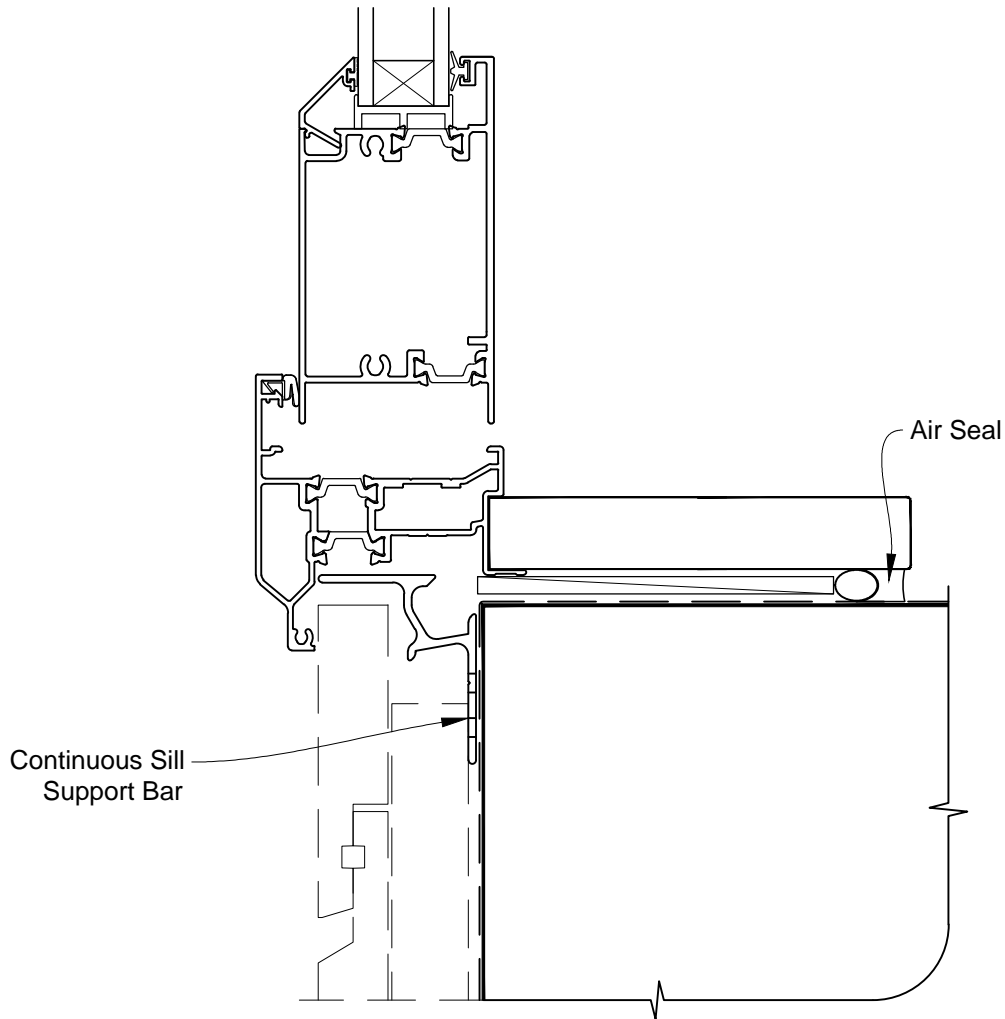


**INSTALLATION DETAIL - FIRST RESIDENTIAL THERMAL HEART
HINGED DOOR OPEN IN ON RUSTICATED WEATHERBOARD
CAVITY CONSTRUCTION**

Date: 01.03.14

Scale: 1:2

CAD Ref.: FTHIRW-CS

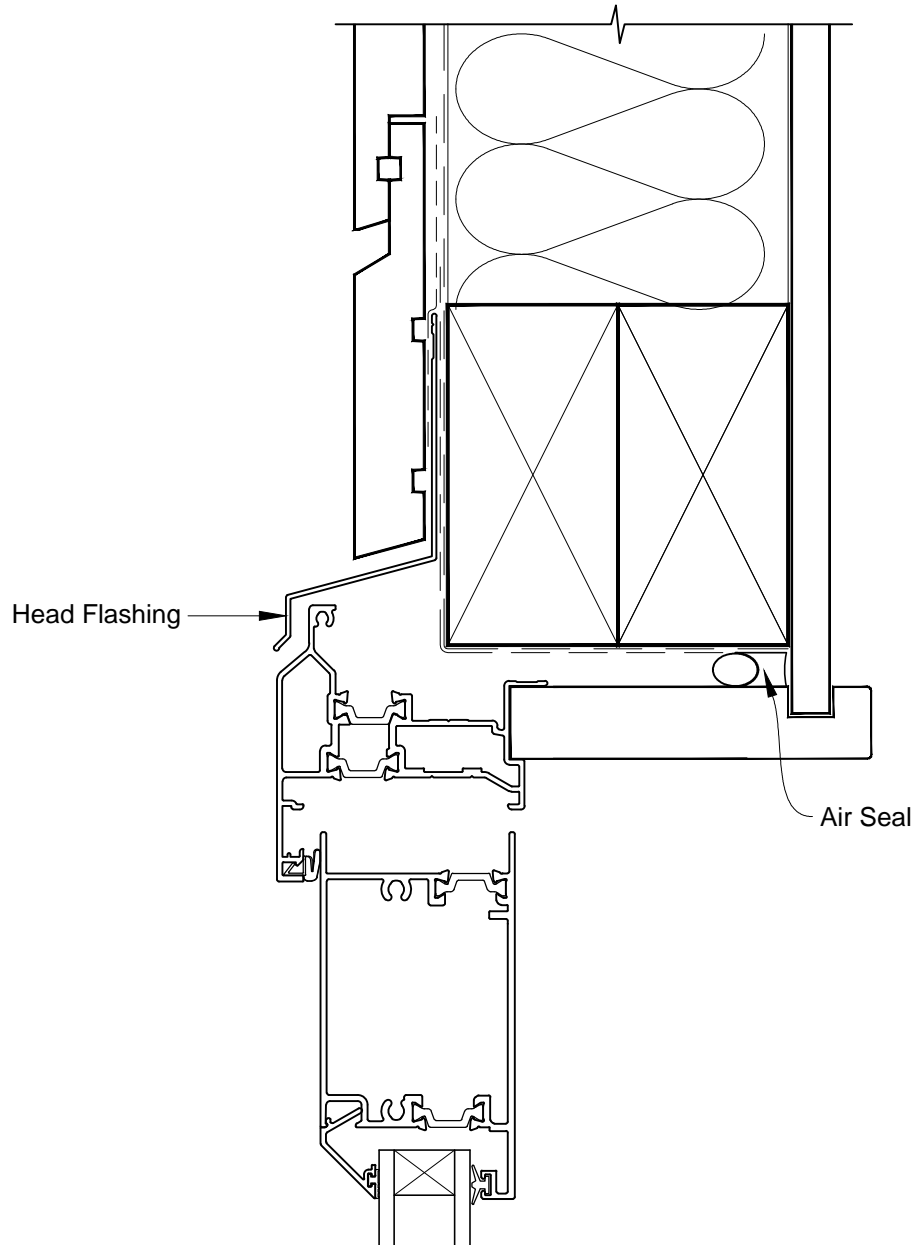


**INSTALLATION DETAIL - FIRST RESIDENTIAL THERMAL HEART
HINGED DOOR OPEN IN ON RUSTICATED WEATHERBOARD
DIRECT FIXED CLADDING**

Date: 01.03.14

Scale: 1:2

CAD Ref.: FTHIRW-DH

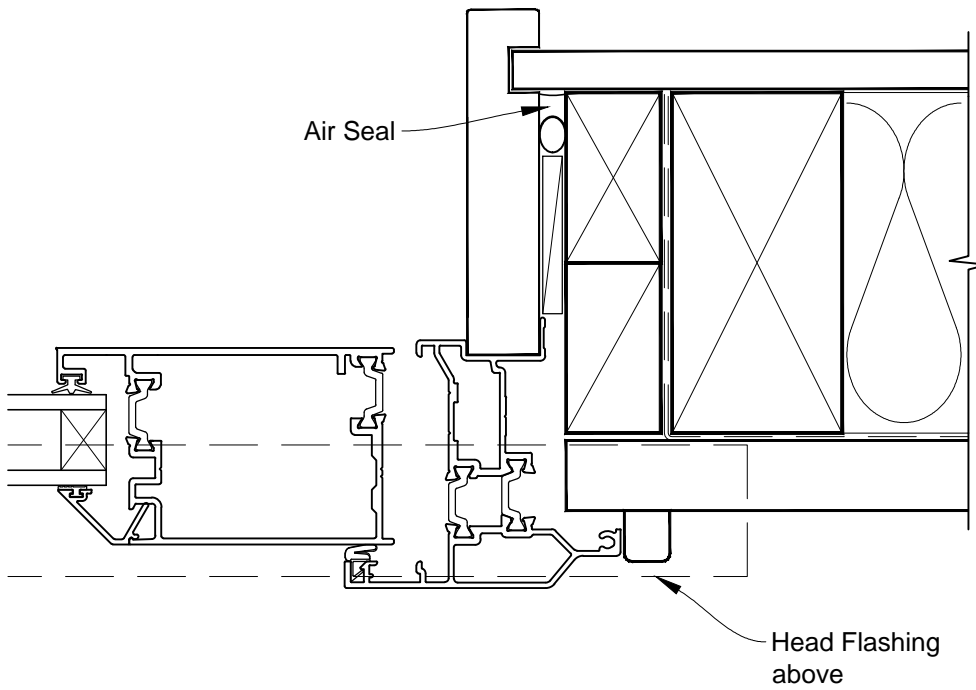


**INSTALLATION DETAIL - FIRST RESIDENTIAL THERMAL HEART
HINGED DOOR OPEN IN ON RUSTICATED WEATHERBOARD
DIRECT FIXED CLADDING**

Date: 01.03.14

Scale: 1:2

CAD Ref.: FTHIRW-DJ



**INSTALLATION DETAIL - FIRST RESIDENTIAL THERMAL HEART
HINGED DOOR OPEN IN ON RUSTICATED WEATHERBOARD
DIRECT FIXED CLADDING**

Date: 01.03.14

Scale: 1:2

CAD Ref.: FTHIRW-DS

