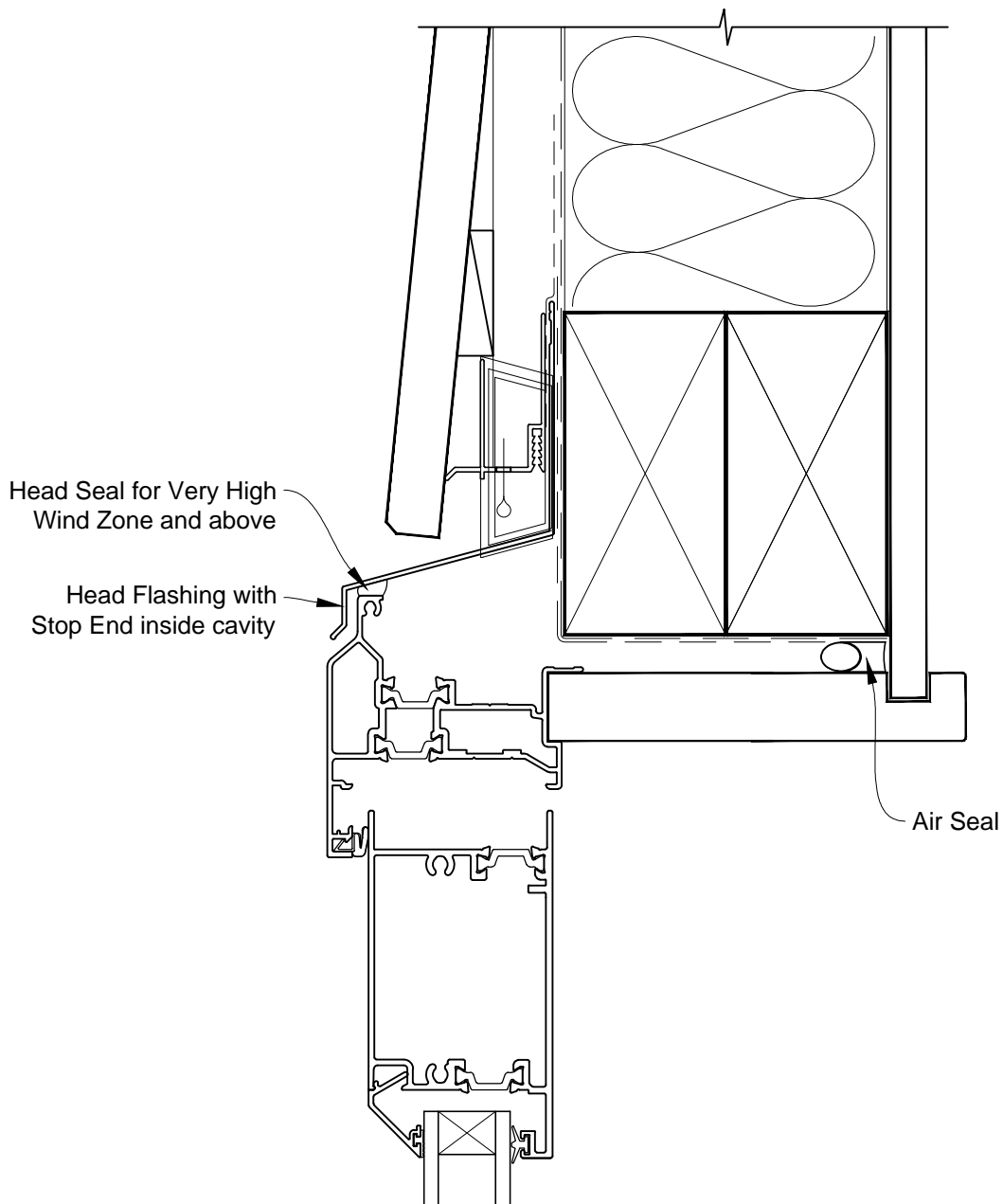


**INSTALLATION DETAIL - FIRST RESIDENTIAL THERMAL HEART  
HINGED DOOR OPEN IN ON BEVELBACK WEATHERBOARD  
CAVITY CONSTRUCTION**

Date: 01.03.14

Scale: 1:2

CAD Ref.: FTHIBW-CH

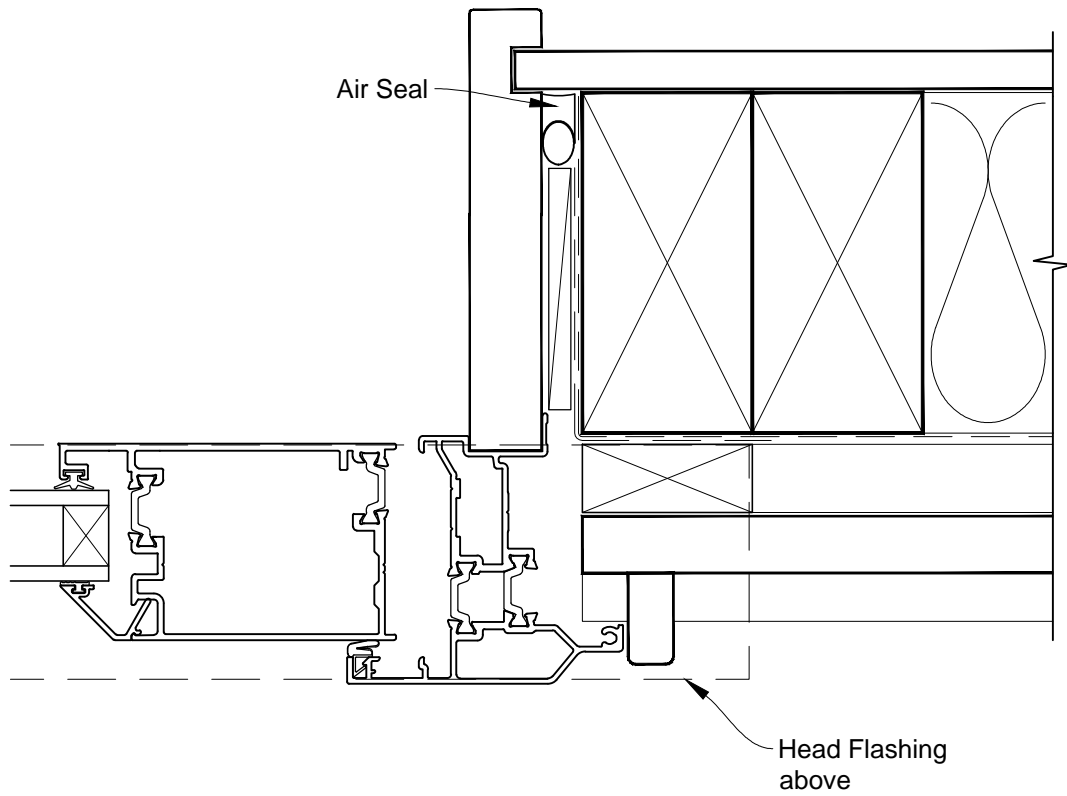


**INSTALLATION DETAIL - FIRST RESIDENTIAL THERMAL HEART  
HINGED DOOR OPEN IN ON BEVELBACK WEATHERBOARD  
CAVITY CONSTRUCTION**

Date: 01.03.14

Scale: 1:2

CAD Ref.: FTHIBW-CJ

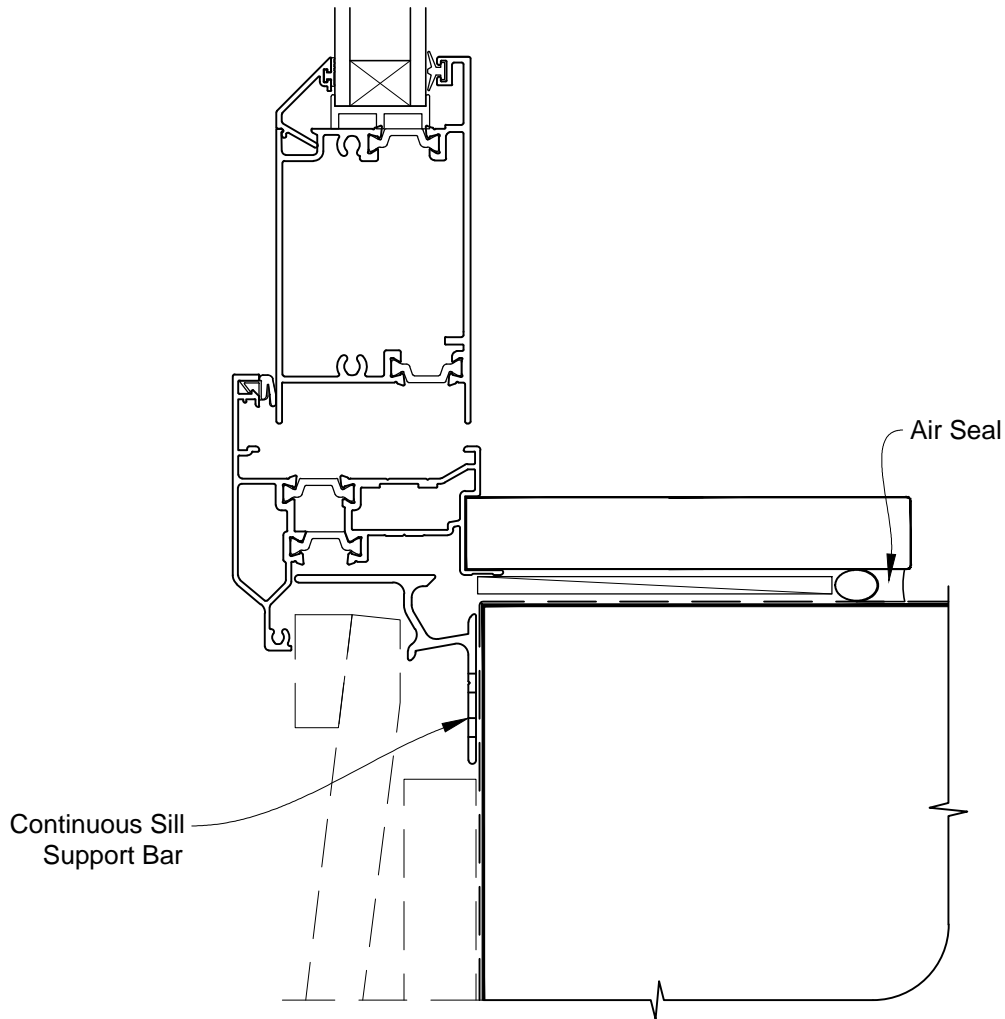


**INSTALLATION DETAIL - FIRST RESIDENTIAL THERMAL HEART  
HINGED DOOR OPEN IN ON BEVELBACK WEATHERBOARD  
CAVITY CONSTRUCTION**

Date: 01.03.14

Scale: 1:2

CAD Ref.: FTHIBW-CS

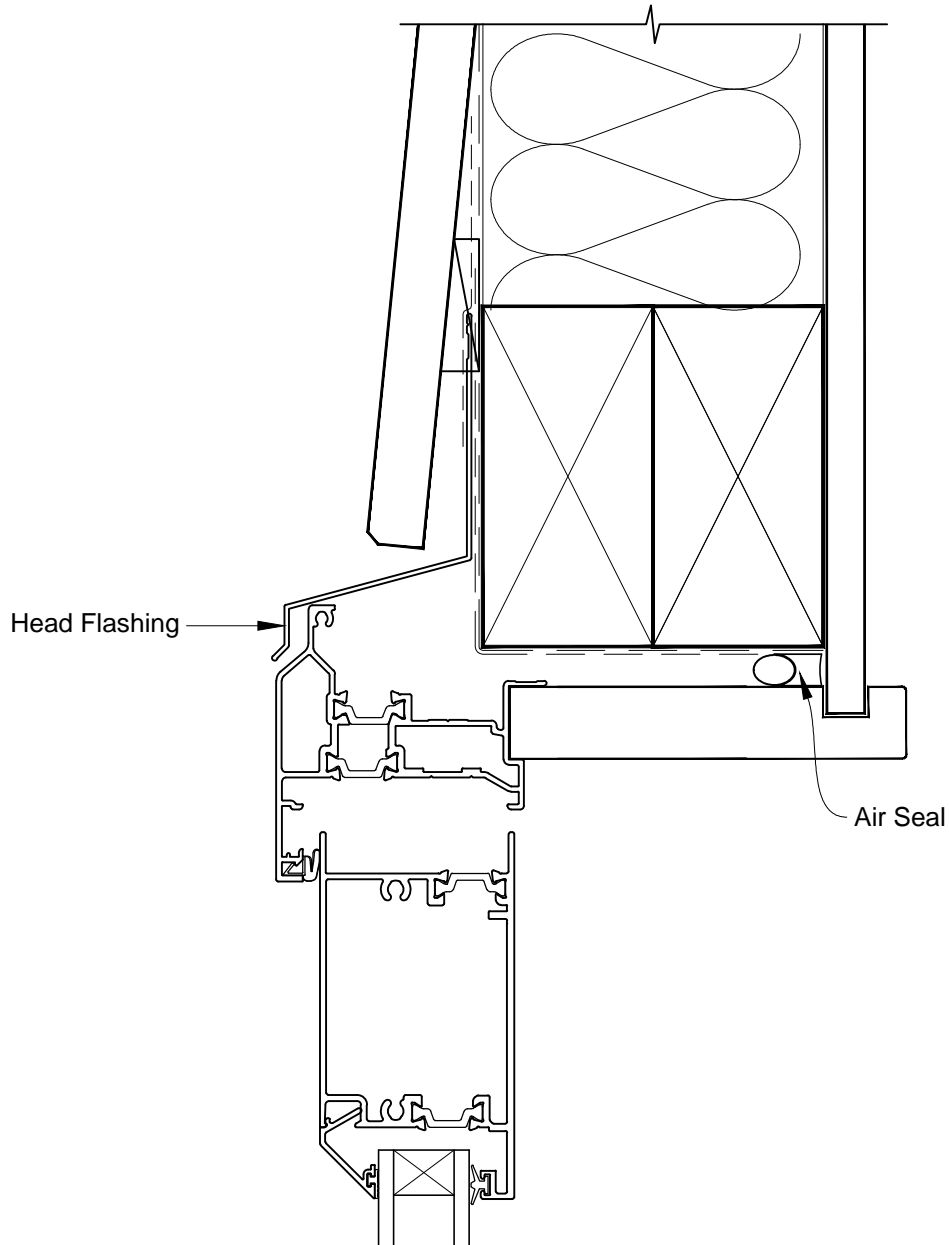


**INSTALLATION DETAIL - FIRST RESIDENTIAL THERMAL HEART  
HINGED DOOR OPEN IN ON BEVELBACK WEATHERBOARD  
DIRECT FIXED CLADDING**

Date: 01.03.14

Scale: 1:2

CAD Ref.: FTHIBW-DH

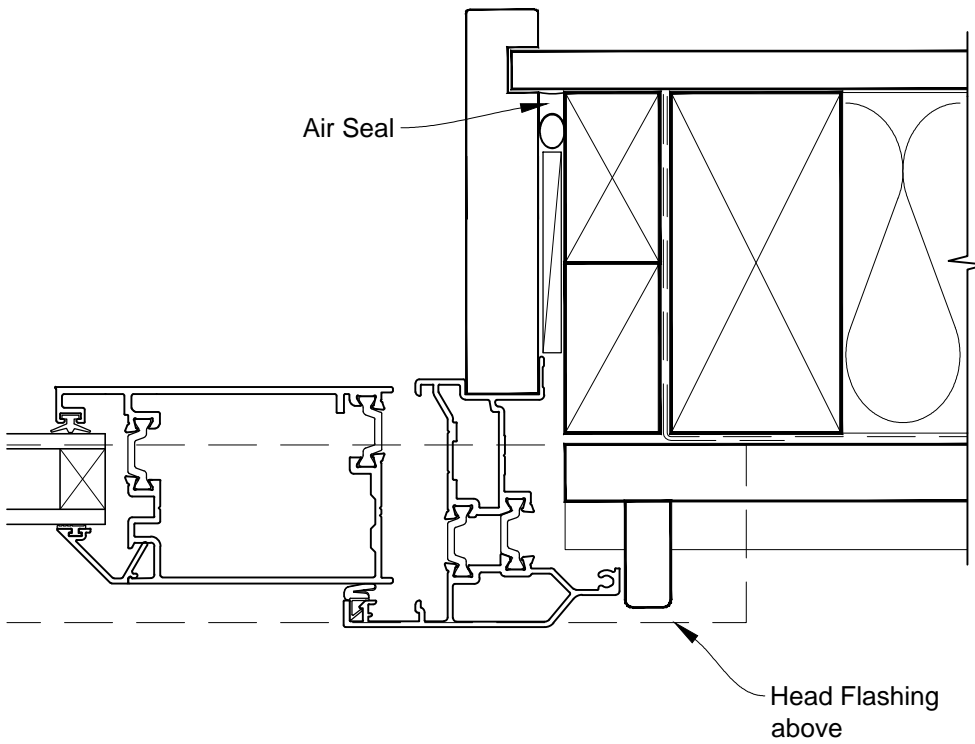


**INSTALLATION DETAIL - FIRST RESIDENTIAL THERMAL HEART  
HINGED DOOR OPEN IN ON BEVELBACK WEATHERBOARD  
DIRECT FIXED CLADDING**

Date: 01.03.14

Scale: 1:2

CAD Ref.: FTHIBW-DJ



**INSTALLATION DETAIL - FIRST RESIDENTIAL THERMAL HEART  
HINGED DOOR OPEN IN ON BEVELBACK WEATHERBOARD  
DIRECT FIXED CLADDING**

Date: 01.03.14

Scale: 1:2

CAD Ref.: FTHIBW-DS

