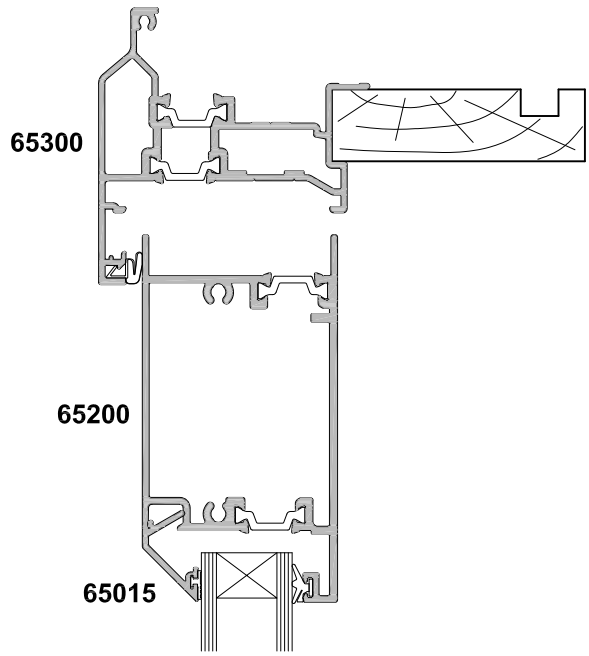
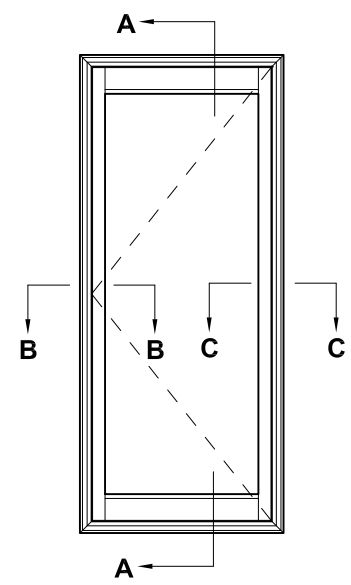


CROSS SECTION

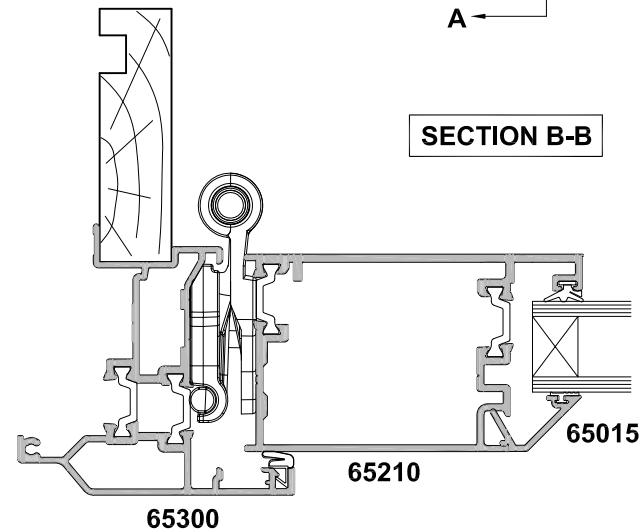
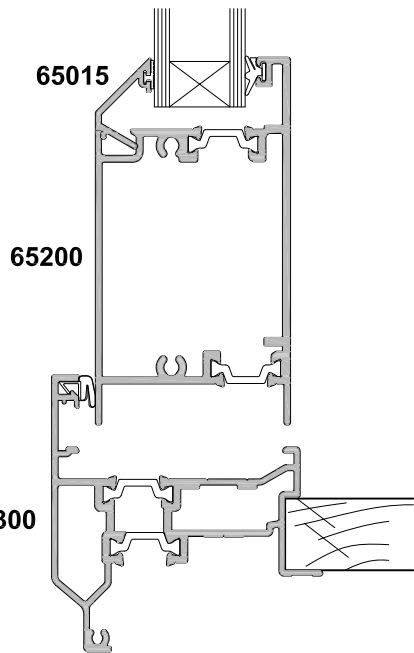
Date 31.01.18 Scale 1:2



SECTION A-A



SECTION B-B



SECTION C-C

