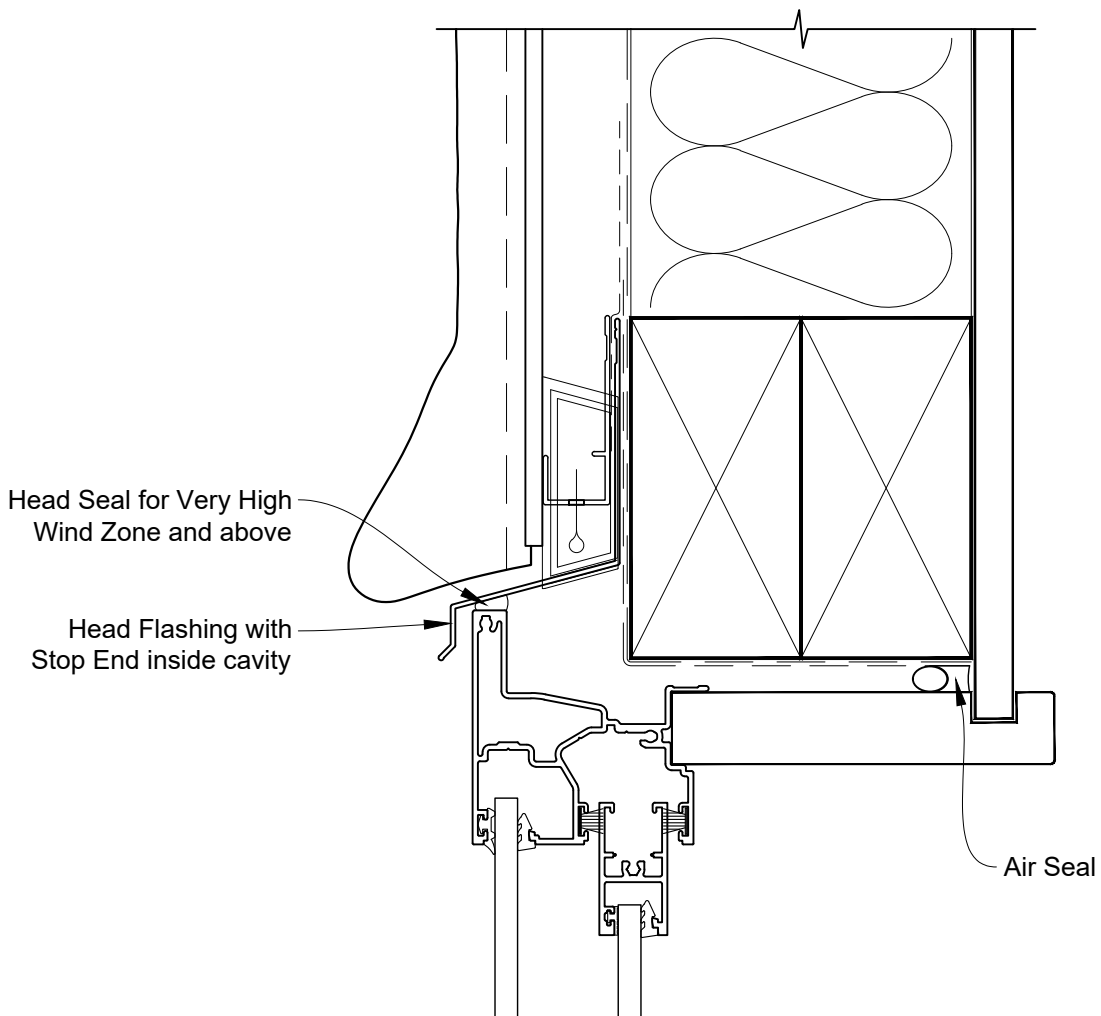


**INSTALLATION DETAIL - FIRST RESIDENTIAL
SLIMLINE SLIDING WINDOW ON STUCCO
CAVITY CONSTRUCTION**

Date: 01.04.19

Scale: 1:2

CAD Ref.: FRSLST-CH

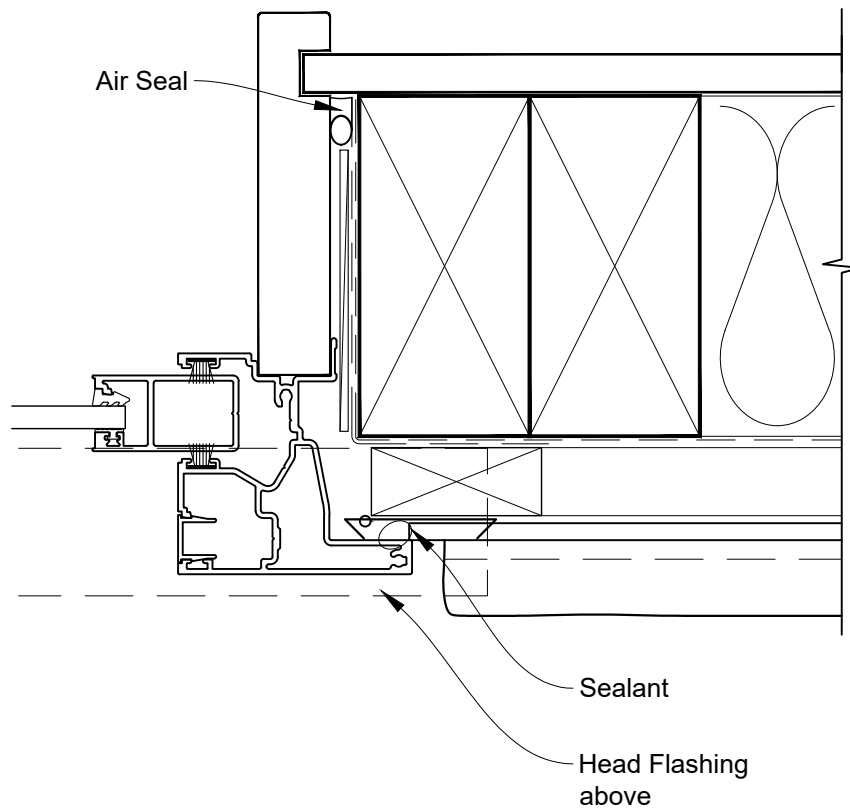


**INSTALLATION DETAIL - FIRST RESIDENTIAL
SLIMLINE SLIDING WINDOW ON STUCCO
CAVITY CONSTRUCTION**

Date: 01.04.19

Scale: 1:2

CAD Ref.: FRSLST-CJ



**INSTALLATION DETAIL - FIRST RESIDENTIAL
SLIMLINE SLIDING WINDOW ON STUCCO
CAVITY CONSTRUCTION**

Date: 01.04.19

Scale: 1:2

CAD Ref.: FRSLST-CS

