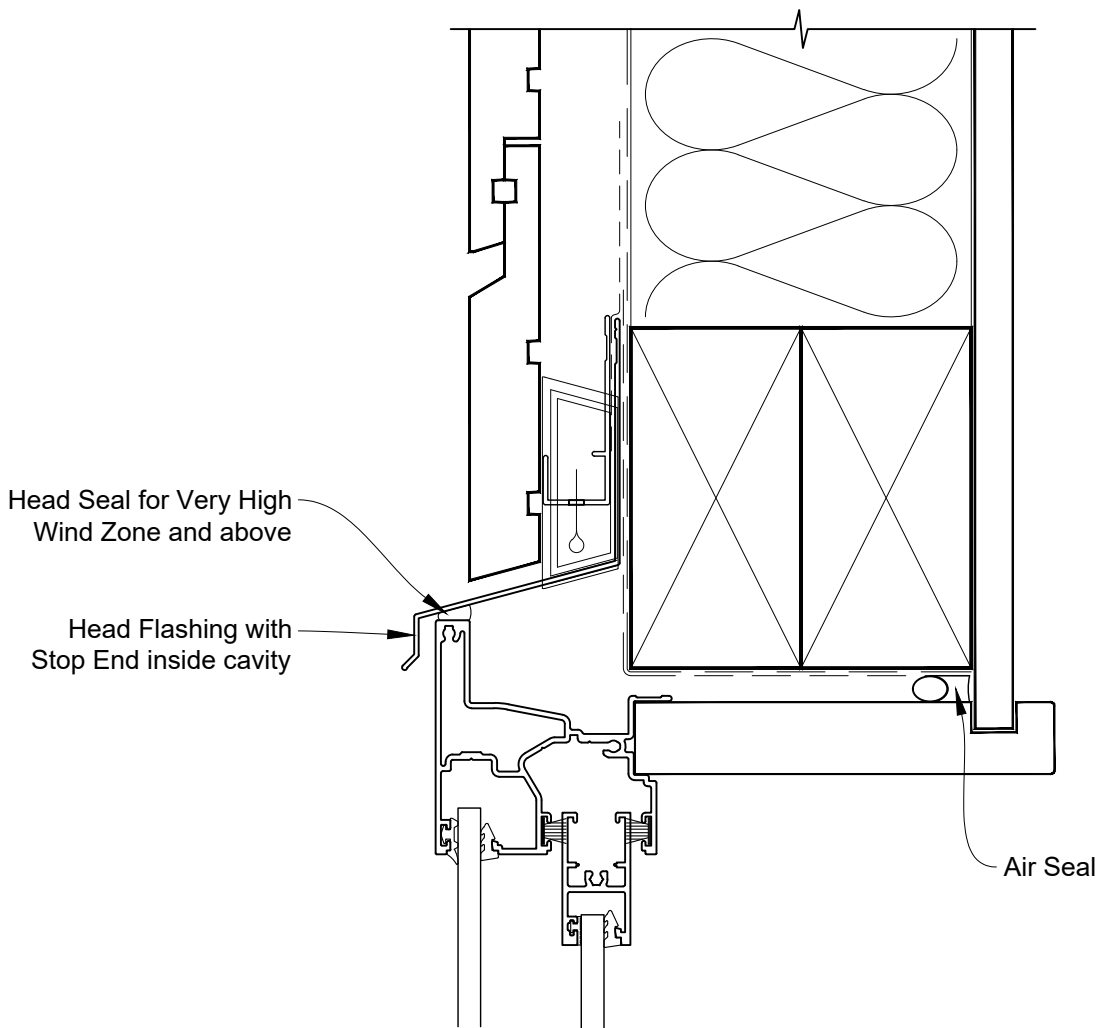


**INSTALLATION DETAIL - FIRST RESIDENTIAL
SLIMLINE SLIDING WINDOW ON RUSTICATED
WEATHERBOARD - CAVITY CONSTRUCTION**

Date: 01.04.19

Scale: 1:2

CAD Ref.: FRSLRW-CH

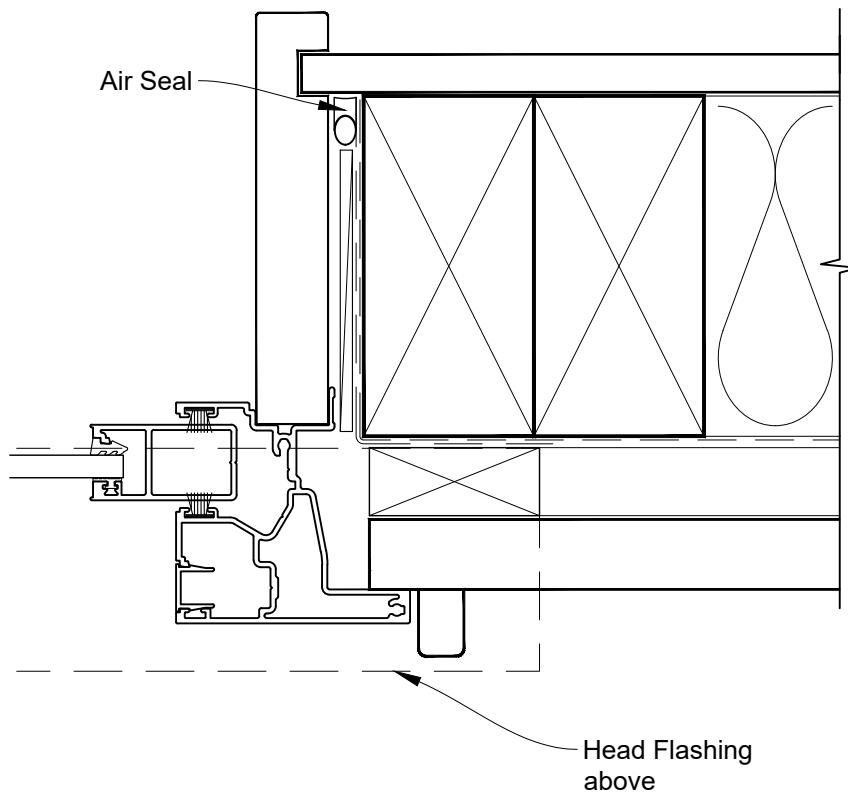


**INSTALLATION DETAIL - FIRST RESIDENTIAL
SLIMLINE SLIDING WINDOW ON RUSTICATED
WEATHERBOARD - CAVITY CONSTRUCTION**

Date: 01.04.19

Scale: 1:2

CAD Ref.: FRSLRW-CJ

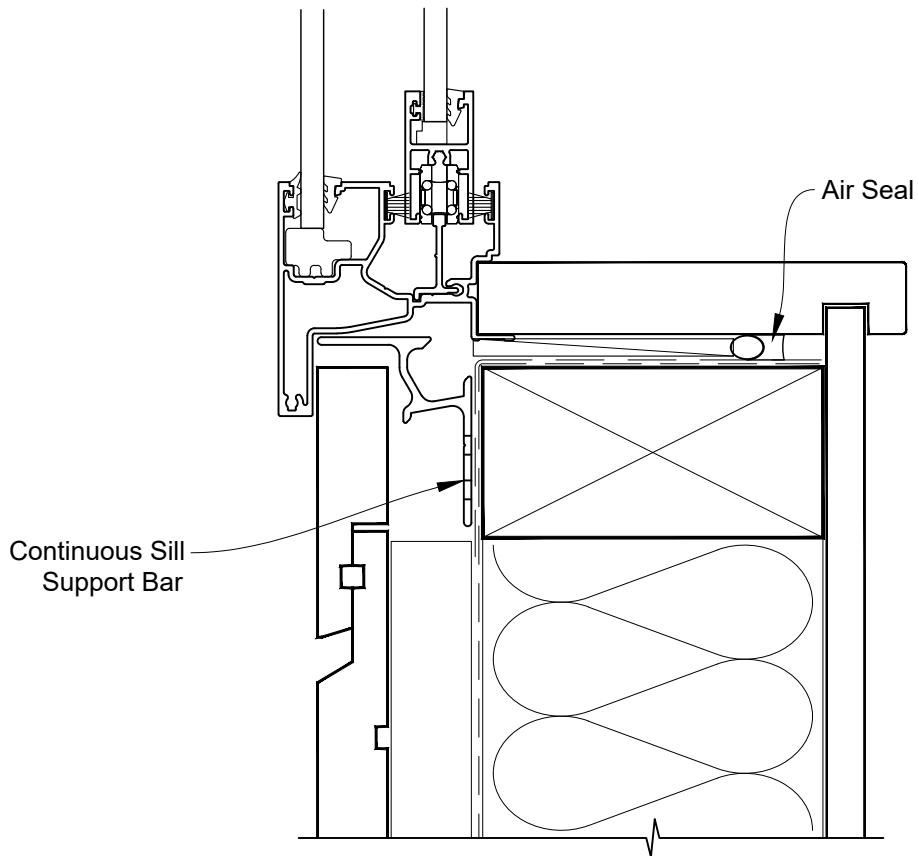


**INSTALLATION DETAIL - FIRST RESIDENTIAL
SLIMLINE SLIDING WINDOW ON RUSTICATED
WEATHERBOARD - CAVITY CONSTRUCTION**

Date: 01.04.19

Scale: 1:2

CAD Ref.: FRSLRW-CS

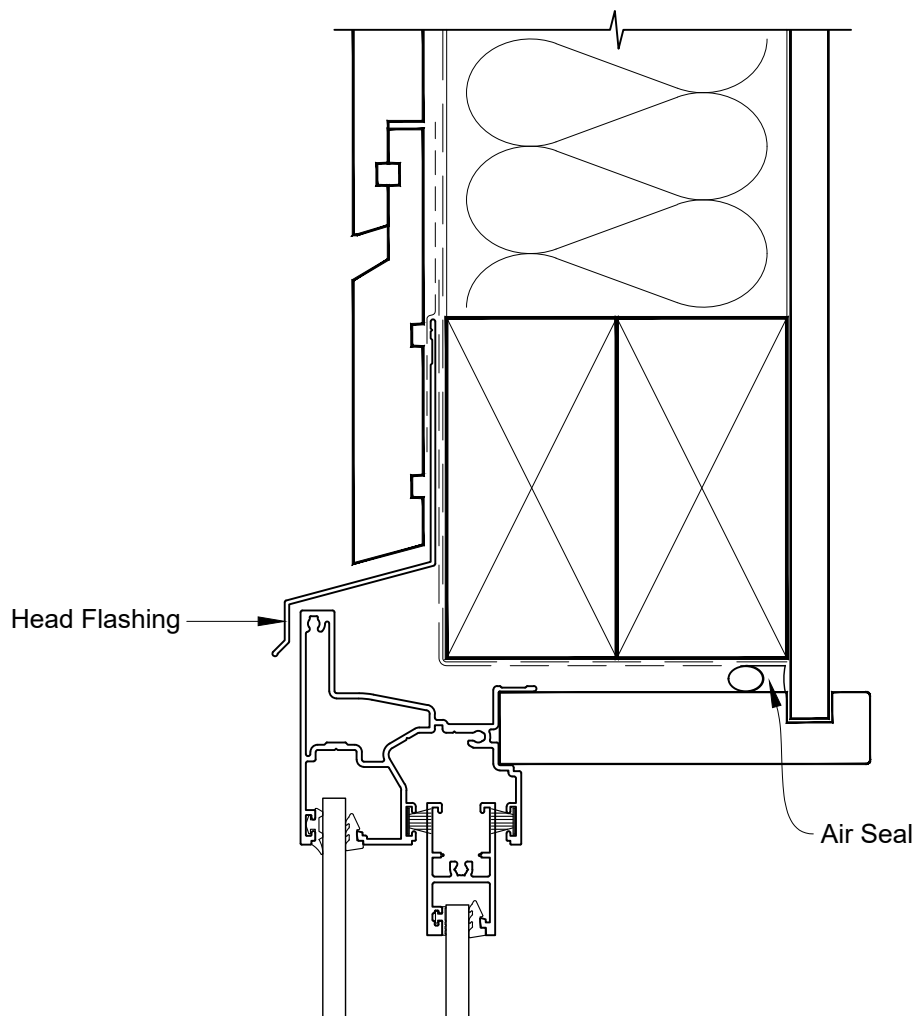


**INSTALLATION DETAIL - FIRST RESIDENTIAL
SLIMLINE SLIDING WINDOW ON RUSTICATED
WEATHERBOARD - DIRECT FIXED CLADDING**

Date: 01.04.19

Scale: 1:2

CAD Ref.: FRSLRW-DH

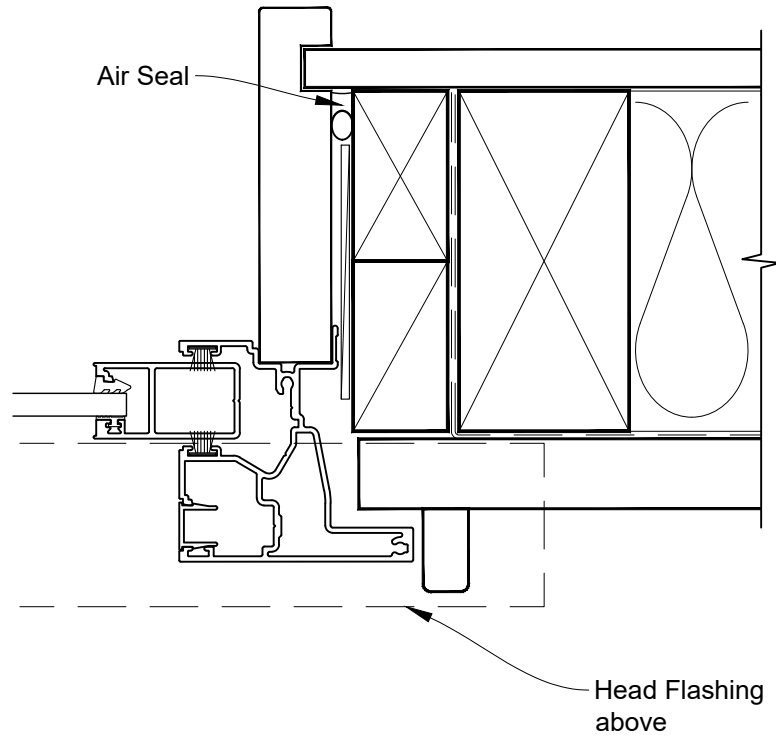


**INSTALLATION DETAIL - FIRST RESIDENTIAL
SLIMLINE SLIDING WINDOW ON RUSTICATED
WEATHERBOARD - DIRECT FIXED CLADDING**

Date: 01.04.19

Scale: 1:2

CAD Ref.: FRSLRW-DJ



**INSTALLATION DETAIL - FIRST RESIDENTIAL
SLIMLINE SLIDING WINDOW ON RUSTICATED
WEATHERBOARD - DIRECT FIXED CLADDING**

Date: 01.04.19

Scale: 1:2

CAD Ref.: FRSLRW-DS

