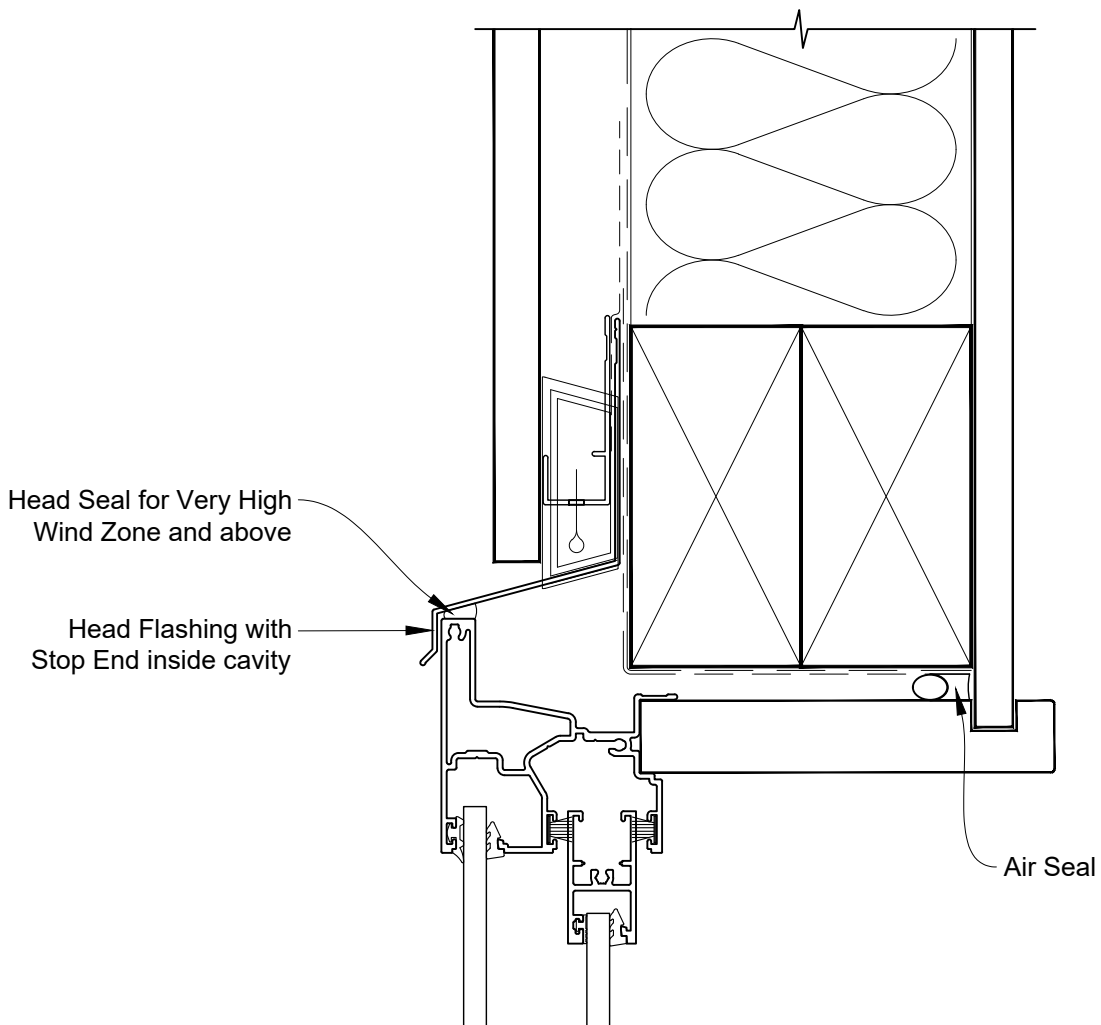


**INSTALLATION DETAIL - FIRST RESIDENTIAL  
SLIMLINE SLIDING WINDOW ON FLAT SHEET  
CAVITY CONSTRUCTION**

Date: 01.04.19

Scale: 1:2

CAD Ref.: FRSLFS-CH

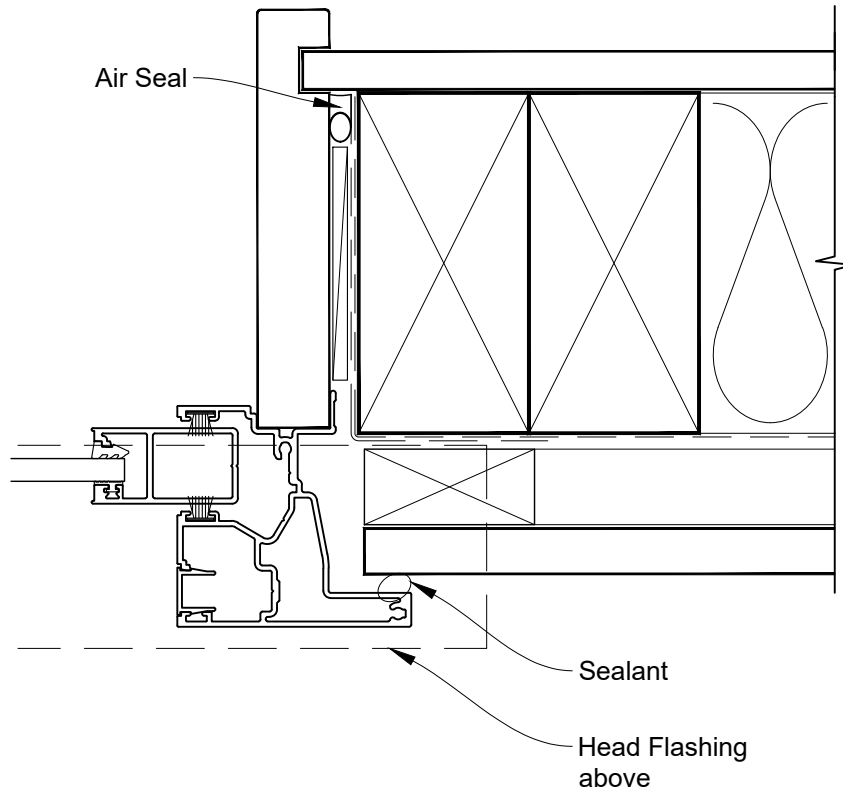


**INSTALLATION DETAIL - FIRST RESIDENTIAL  
SLIMLINE SLIDING WINDOW ON FLAT SHEET  
CAVITY CONSTRUCTION**

Date: 01.04.19

Scale: 1:2

CAD Ref.: FRSLFS-CJ

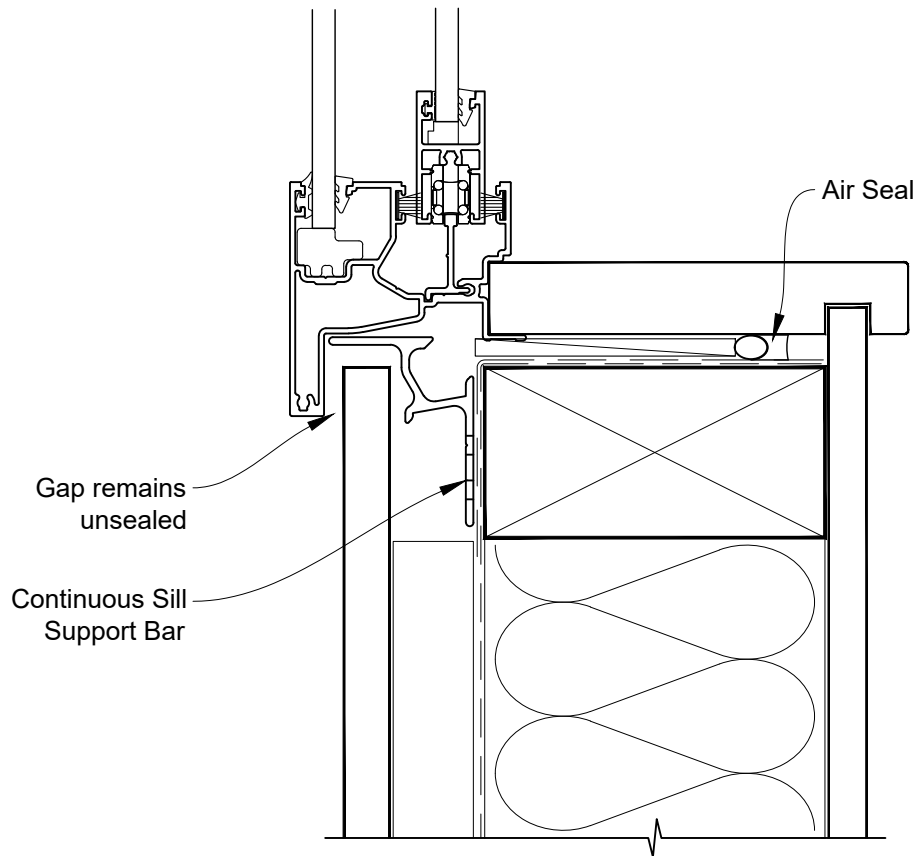


**INSTALLATION DETAIL - FIRST RESIDENTIAL  
SLIMLINE SLIDING WINDOW ON FLAT SHEET  
CAVITY CONSTRUCTION**

Date: 01.04.19

Scale: 1:2

CAD Ref.: FRSLFS-CS

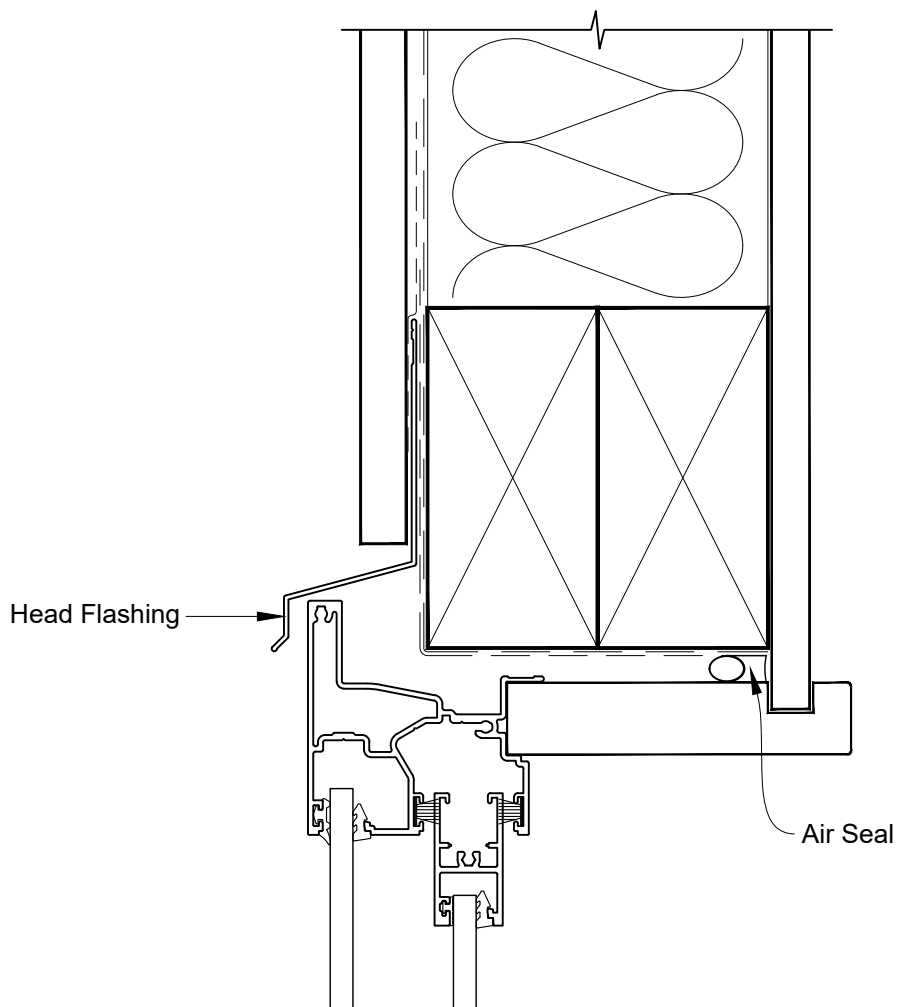


**INSTALLATION DETAIL - FIRST RESIDENTIAL  
SLIMLINE SLIDING WINDOW ON FLAT SHEET  
DIRECT FIXED CLADDING**

Date: 01.04.19

Scale: 1:2

CAD Ref.: FRSLFS-DH

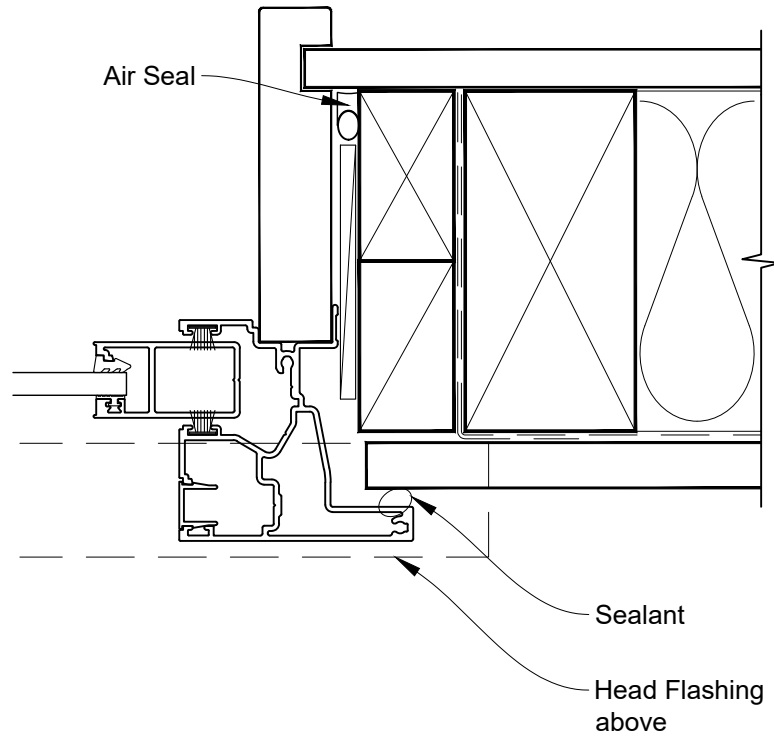


**INSTALLATION DETAIL - FIRST RESIDENTIAL  
SLIMLINE SLIDING WINDOW ON FLAT SHEET  
DIRECT FIXED CLADDING**

Date: 01.04.19

Scale: 1:2

CAD Ref.: FRSLFS-DJ



**INSTALLATION DETAIL - FIRST RESIDENTIAL  
SLIMLINE SLIDING WINDOW ON FLAT SHEET  
DIRECT FIXED CLADDING**

Date: 01.04.19

Scale: 1:2

CAD Ref.: FRSLFS-DS

