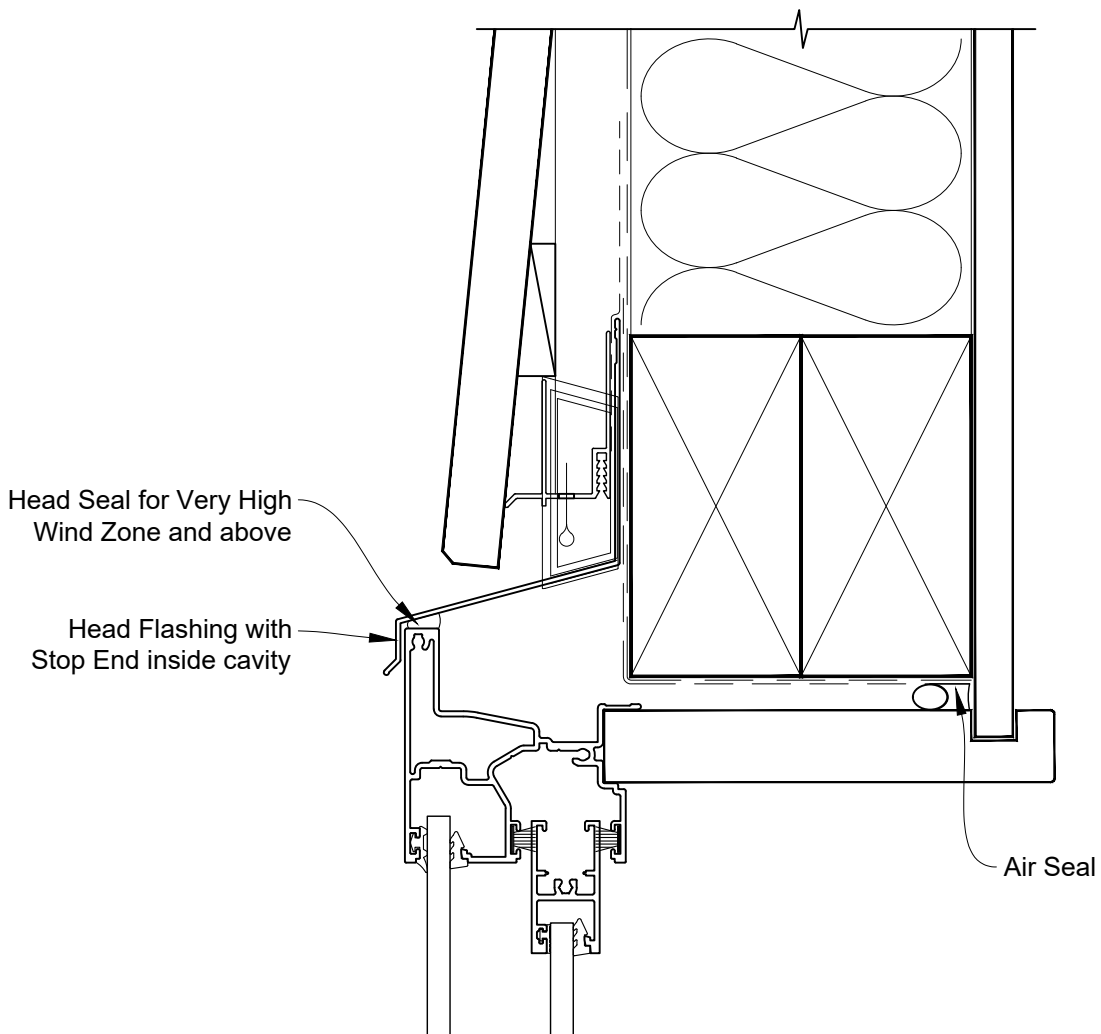


**INSTALLATION DETAIL - FIRST RESIDENTIAL  
SLIMLINE SLIDING WINDOW ON BEVELBACK  
WEATHERBOARD - CAVITY CONSTRUCTION**

Date: 01.04.19

Scale: 1:2

CAD Ref.: FRSLBW-CH

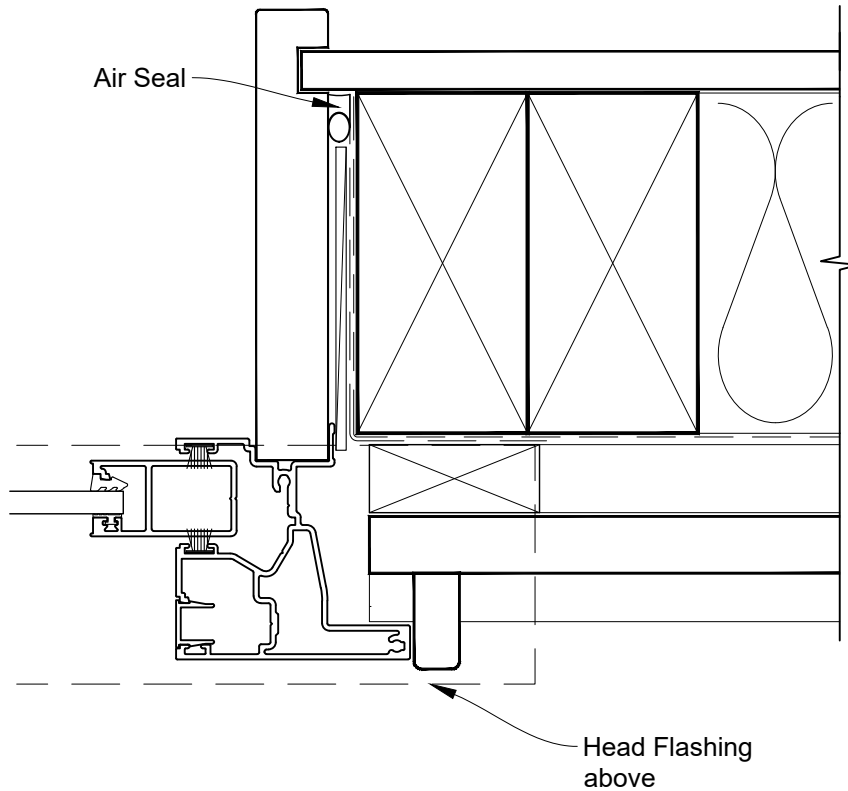


**INSTALLATION DETAIL - FIRST RESIDENTIAL  
SLIMLINE SLIDING WINDOW ON BEVELBACK  
WEATHERBOARD - CAVITY CONSTRUCTION**

Date: 01.04.19

Scale: 1:2

CAD Ref.: FRSLBW-CJ

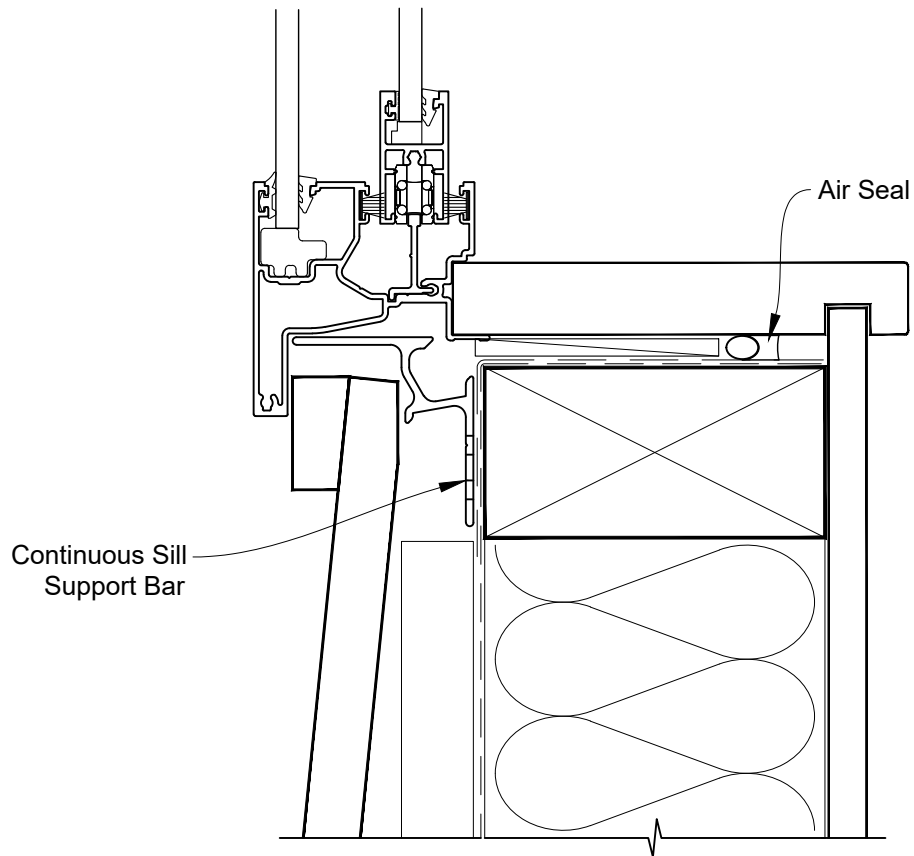


**INSTALLATION DETAIL - FIRST RESIDENTIAL  
SLIMLINE SLIDING WINDOW ON BEVELBACK  
WEATHERBOARD - CAVITY CONSTRUCTION**

Date: 01.04.19

Scale: 1:2

CAD Ref.: FRSLBW-CS

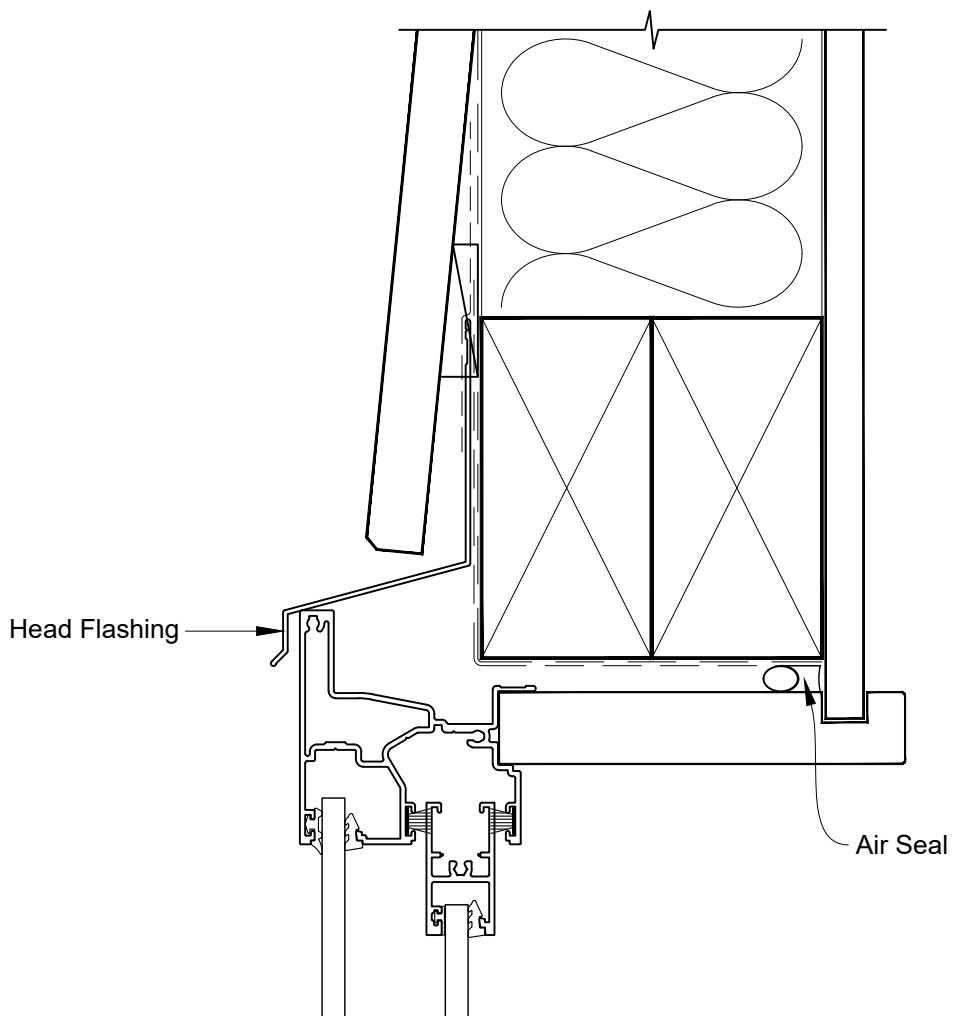


**INSTALLATION DETAIL - FIRST RESIDENTIAL  
SLIMLINE SLIDING WINDOW ON BEVELBACK  
WEATHERBOARD - DIRECT FIXED CLADDING**

Date: 01.04.19

Scale: 1:2

CAD Ref.: FRSLBW-DH

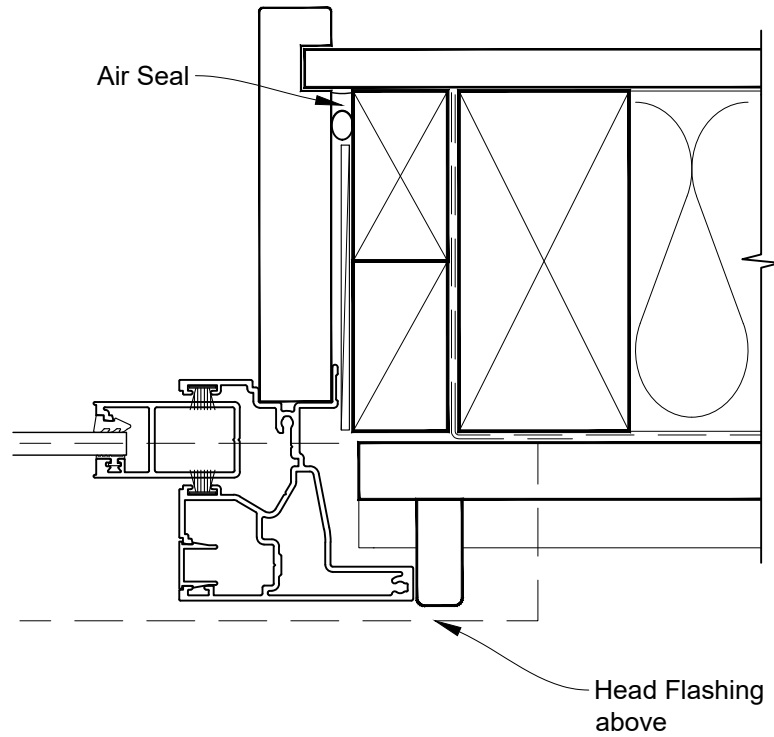


**INSTALLATION DETAIL - FIRST RESIDENTIAL  
SLIMLINE SLIDING WINDOW ON BEVELBACK  
WEATHERBOARD - DIRECT FIXED CLADDING**

Date: 01.04.19

Scale: 1:2

CAD Ref.: FRSLBW-DJ



**INSTALLATION DETAIL - FIRST RESIDENTIAL  
SLIMLINE SLIDING WINDOW ON BEVELBACK  
WEATHERBOARD - DIRECT FIXED CLADDING**

Date: 01.04.19

Scale: 1:2

CAD Ref.: FRSLBW-DS

