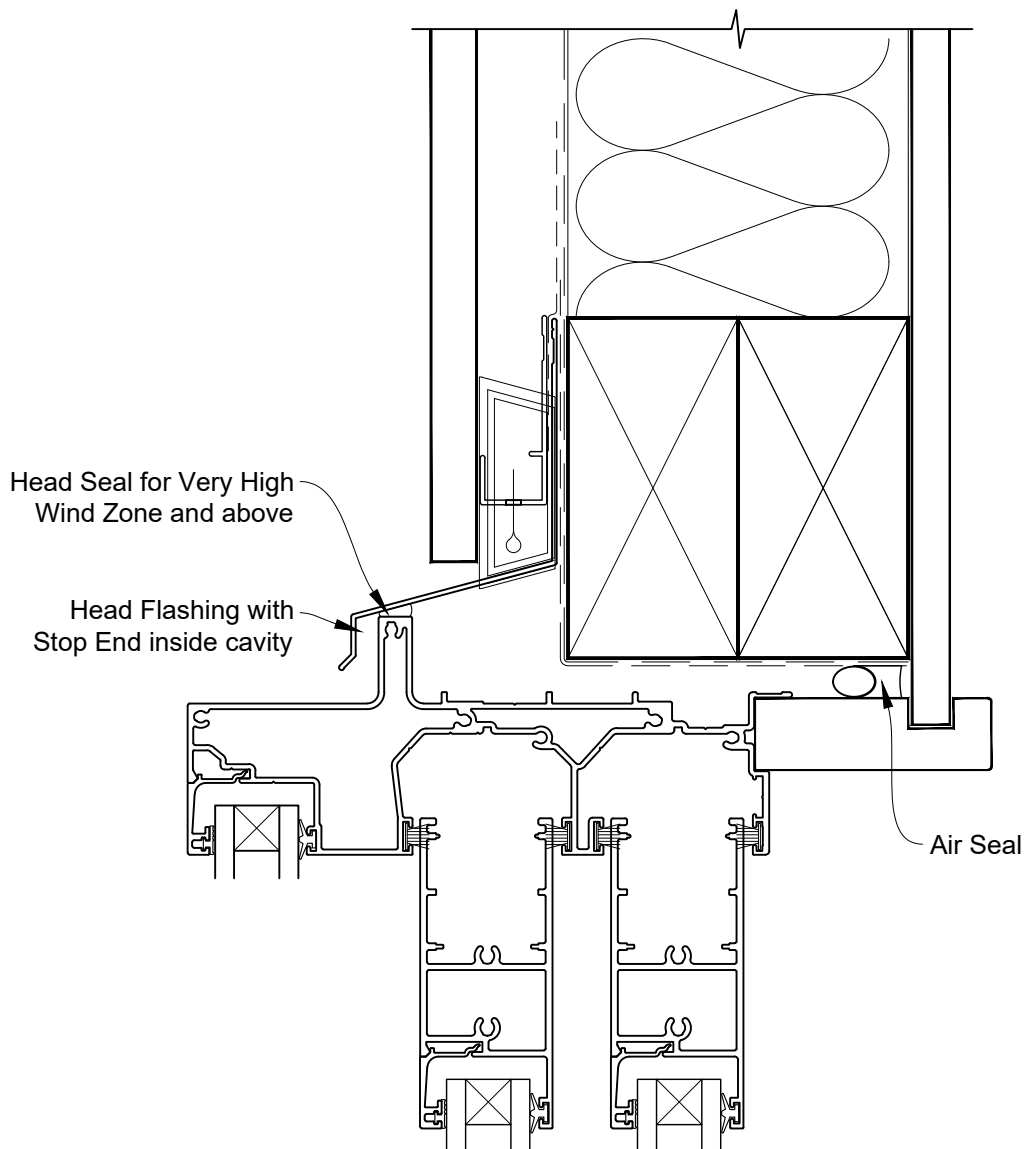
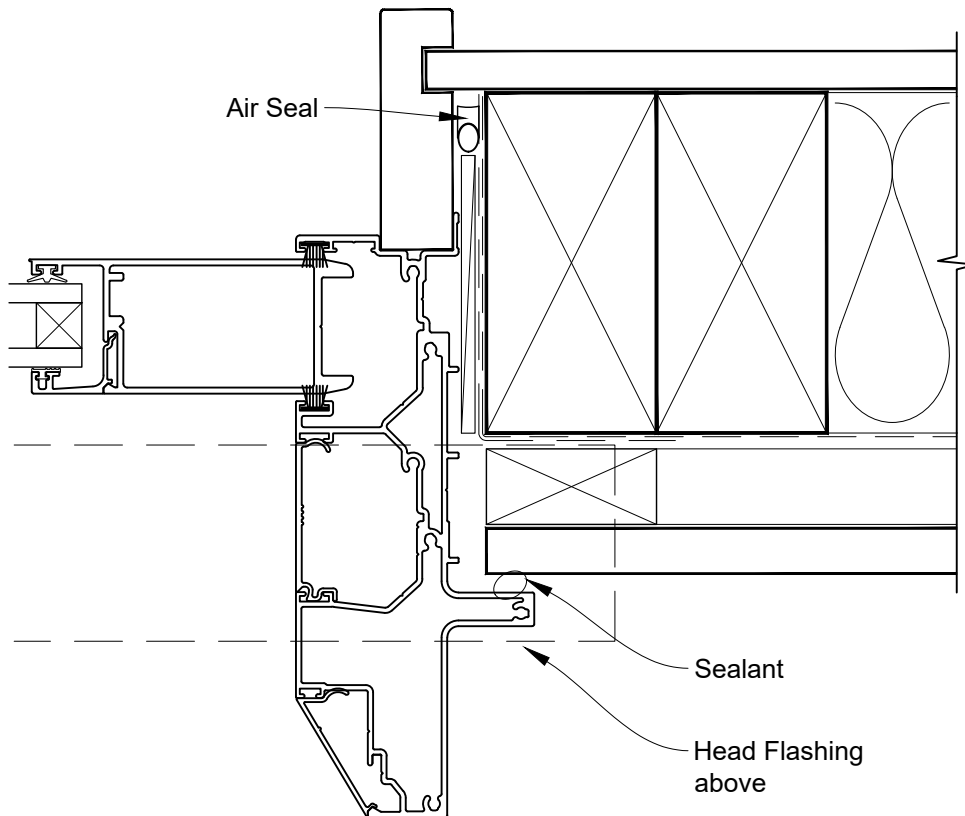


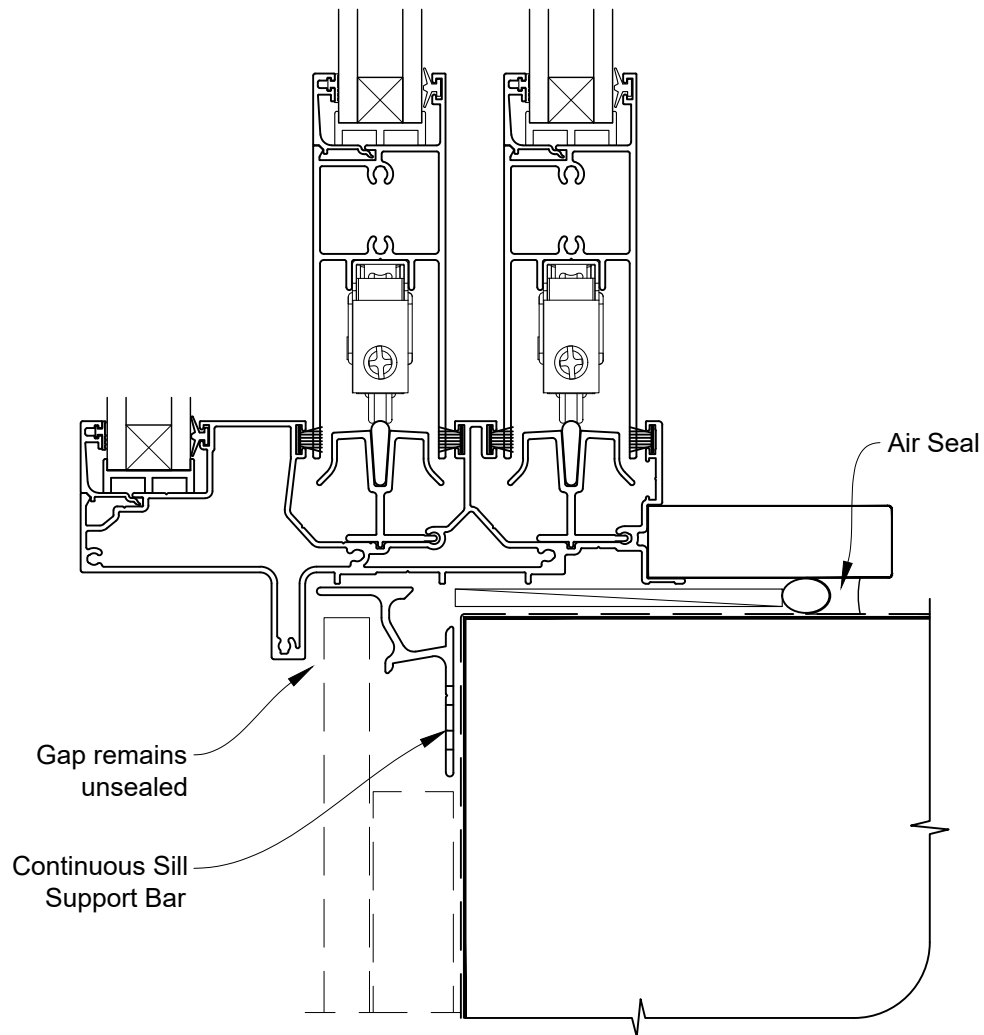
STEPPED MULTISLIDER DOOR FRAME OPTION



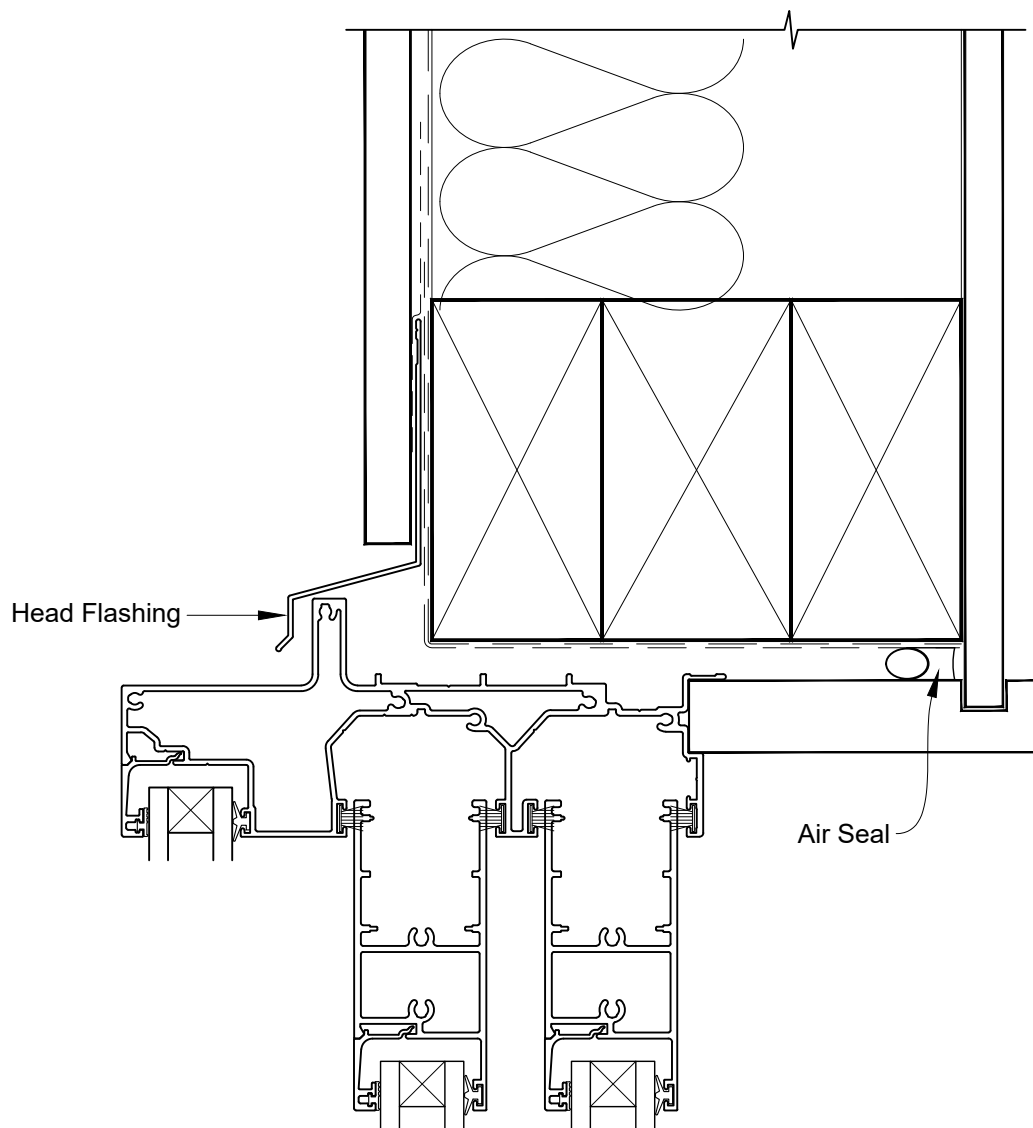
STEPPED MULTISLIDER DOOR FRAME OPTION



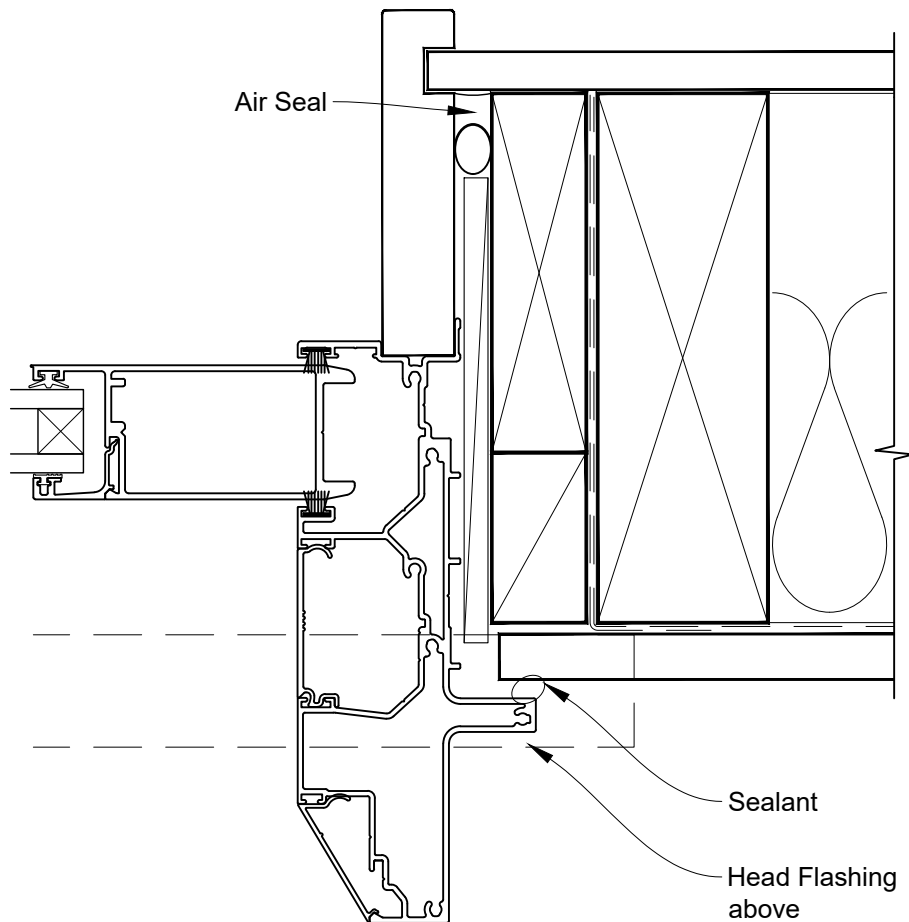
STEPPED MULTISLIDER DOOR FRAME OPTION



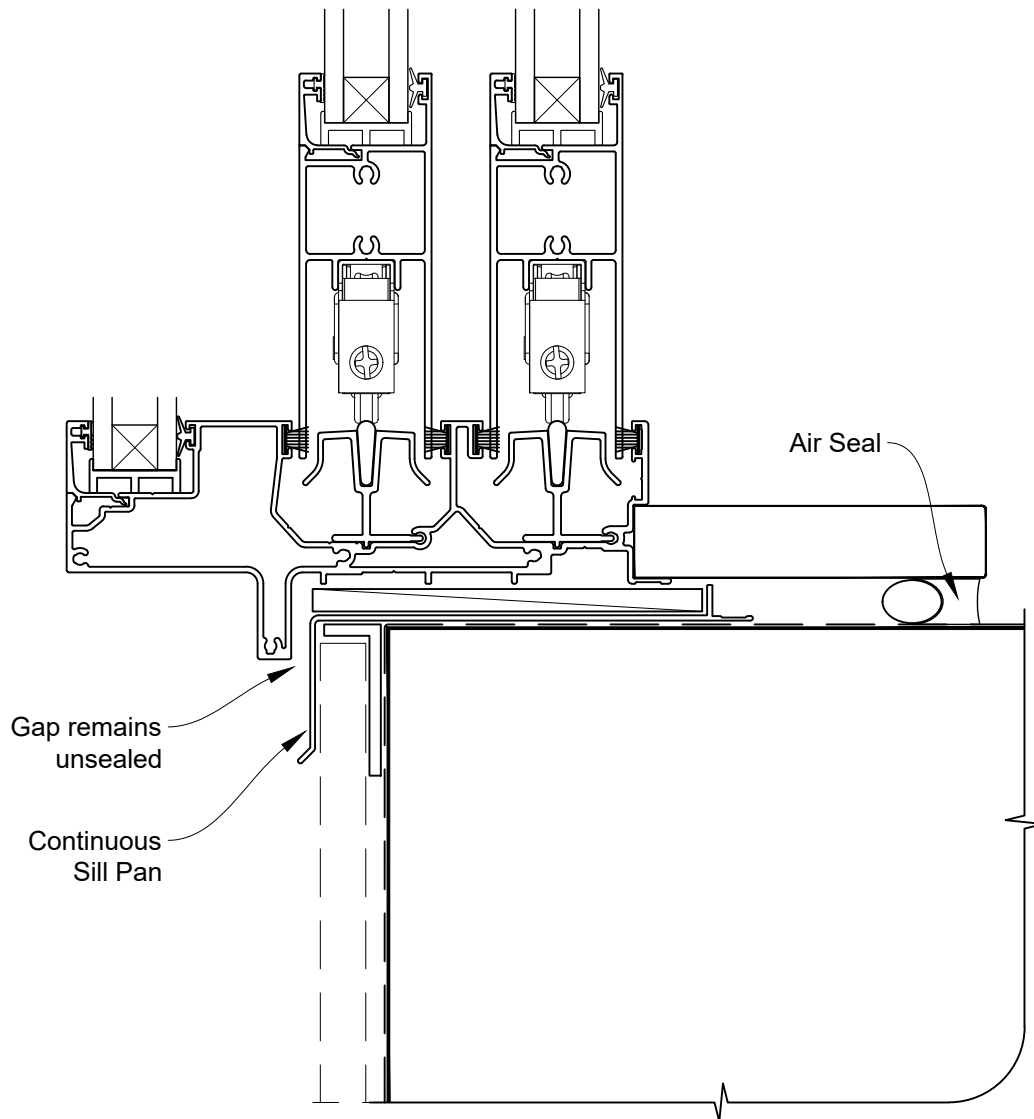
STEPPED MULTISLIDER DOOR FRAME OPTION



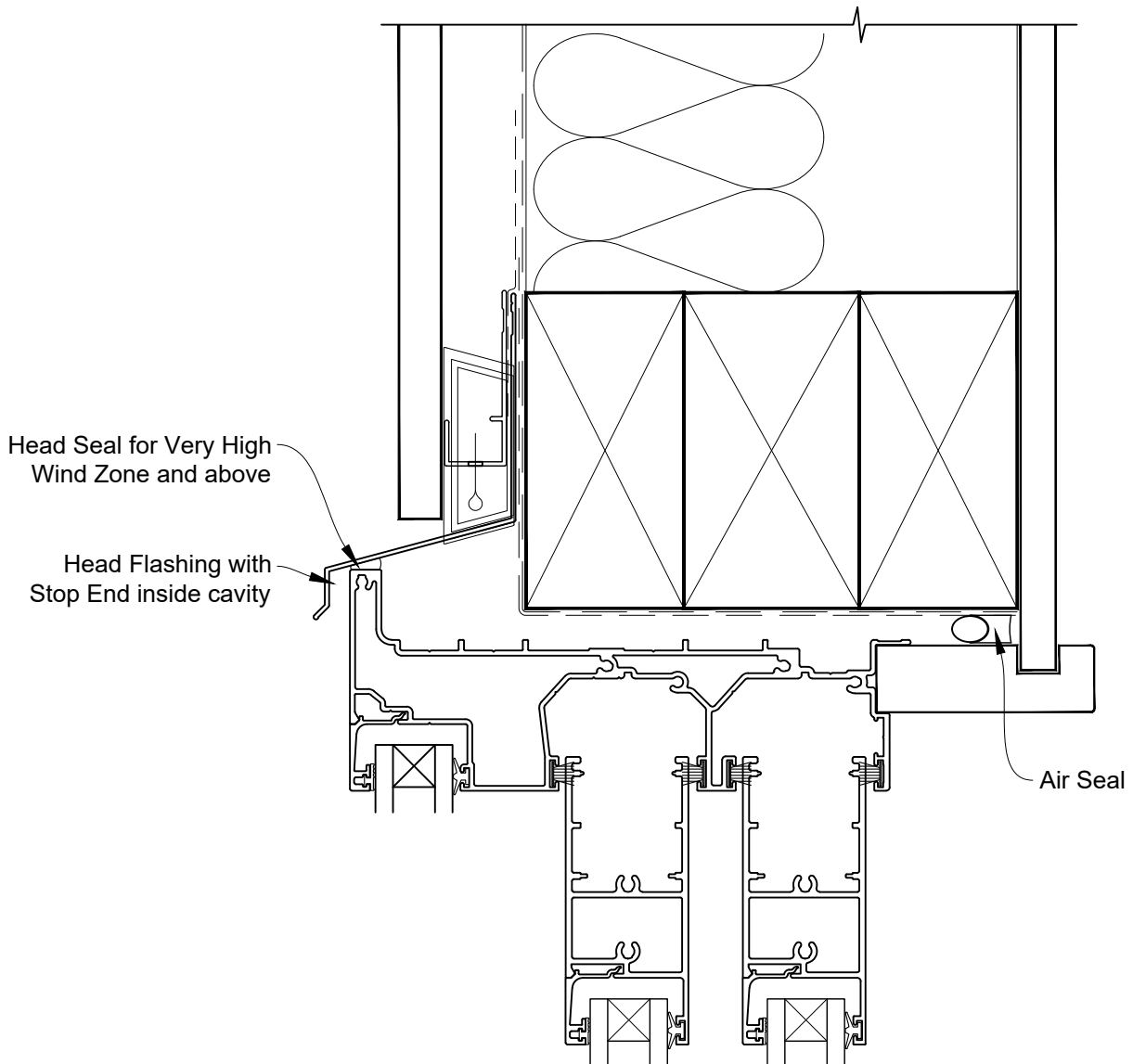
STEPPED MULTISLIDER DOOR FRAME OPTION



STEPPED MULTISLIDER DOOR FRAME OPTION



FLAT MULTISLIDER DOOR FRAME OPTION



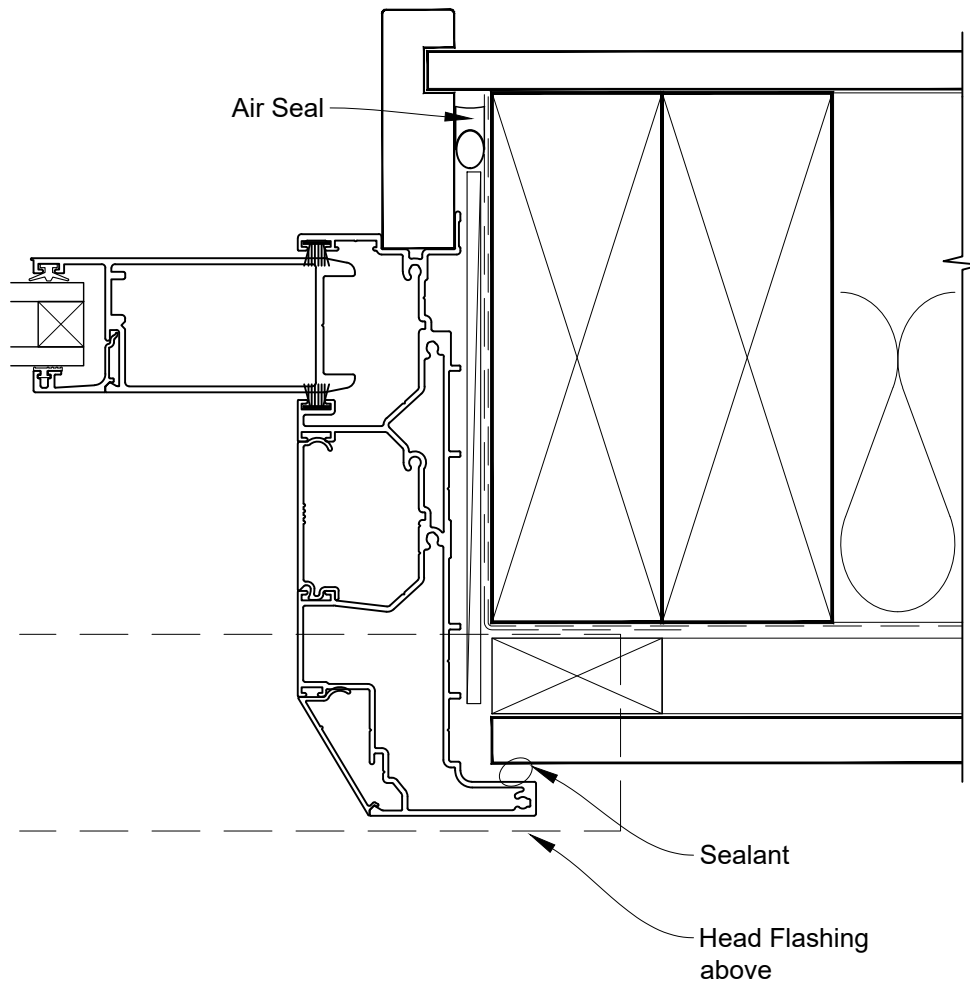
**INSTALLATION DETAIL - FIRST RESIDENTIAL
MULTISLIDER DOOR ON FLAT SHEET
CAVITY CONSTRUCTION**

Date: 01.04.19

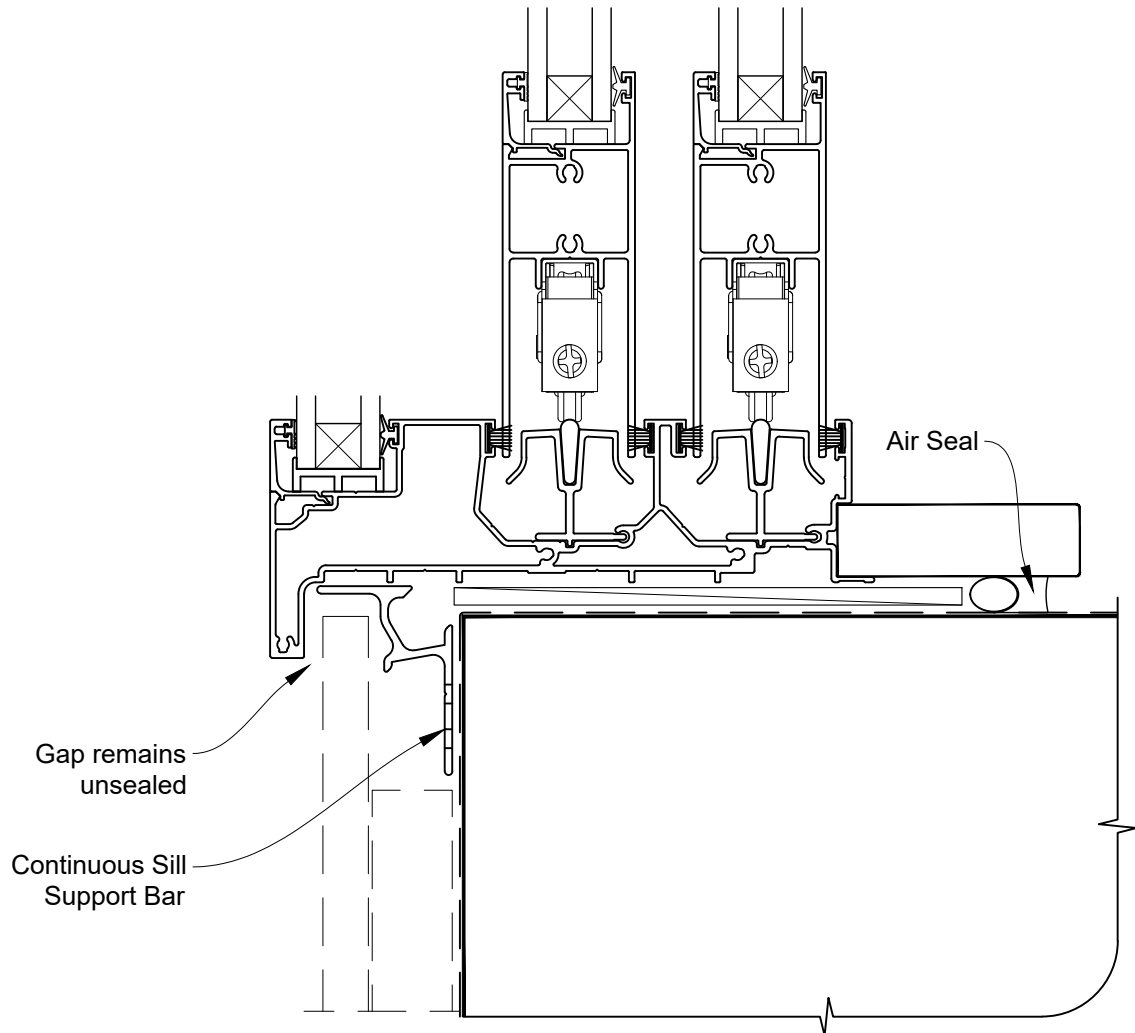
Scale: 1:2

CAD Ref.: FRMDFS-CFJ

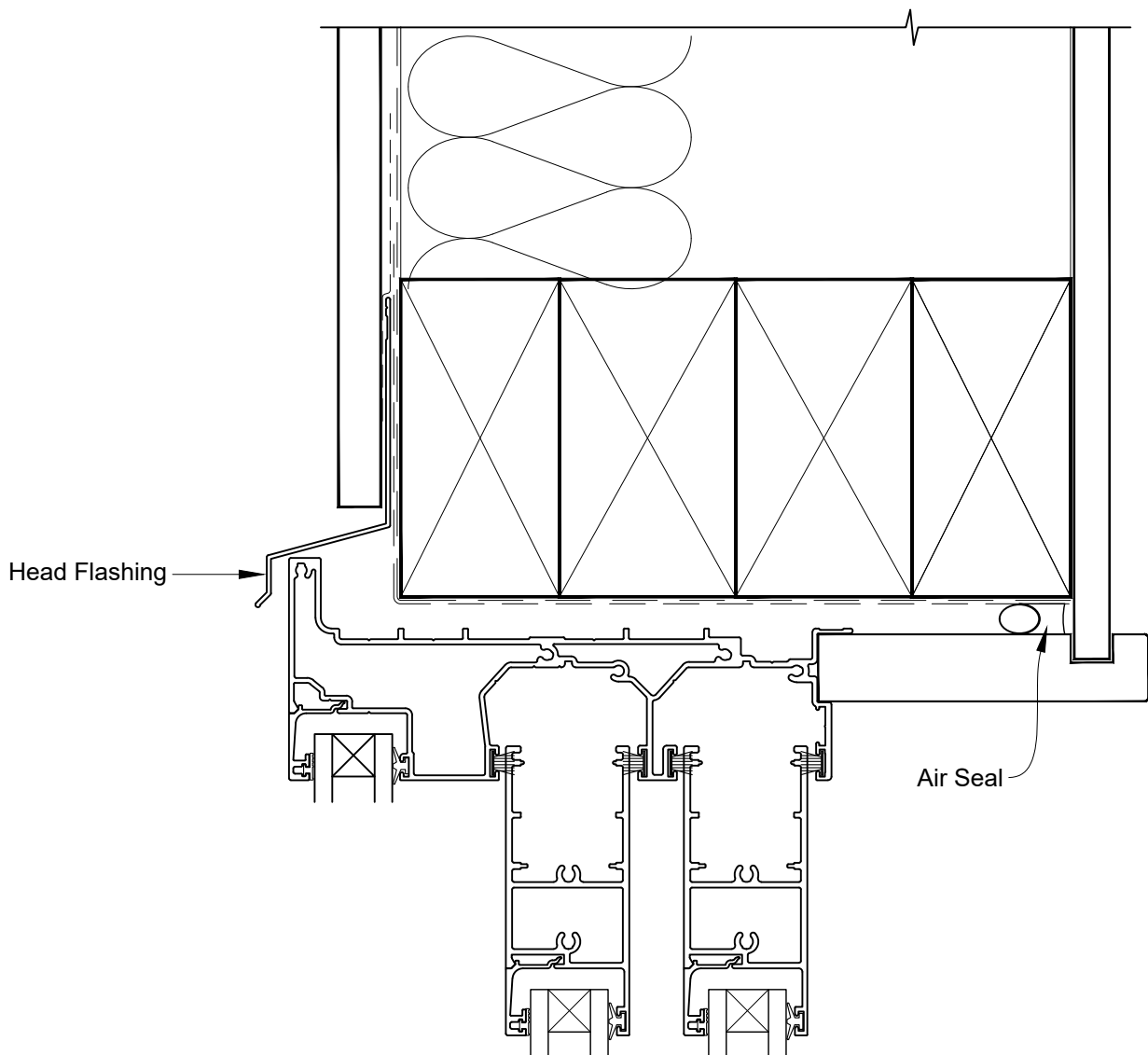
FLAT MULTISLIDER DOOR FRAME OPTION



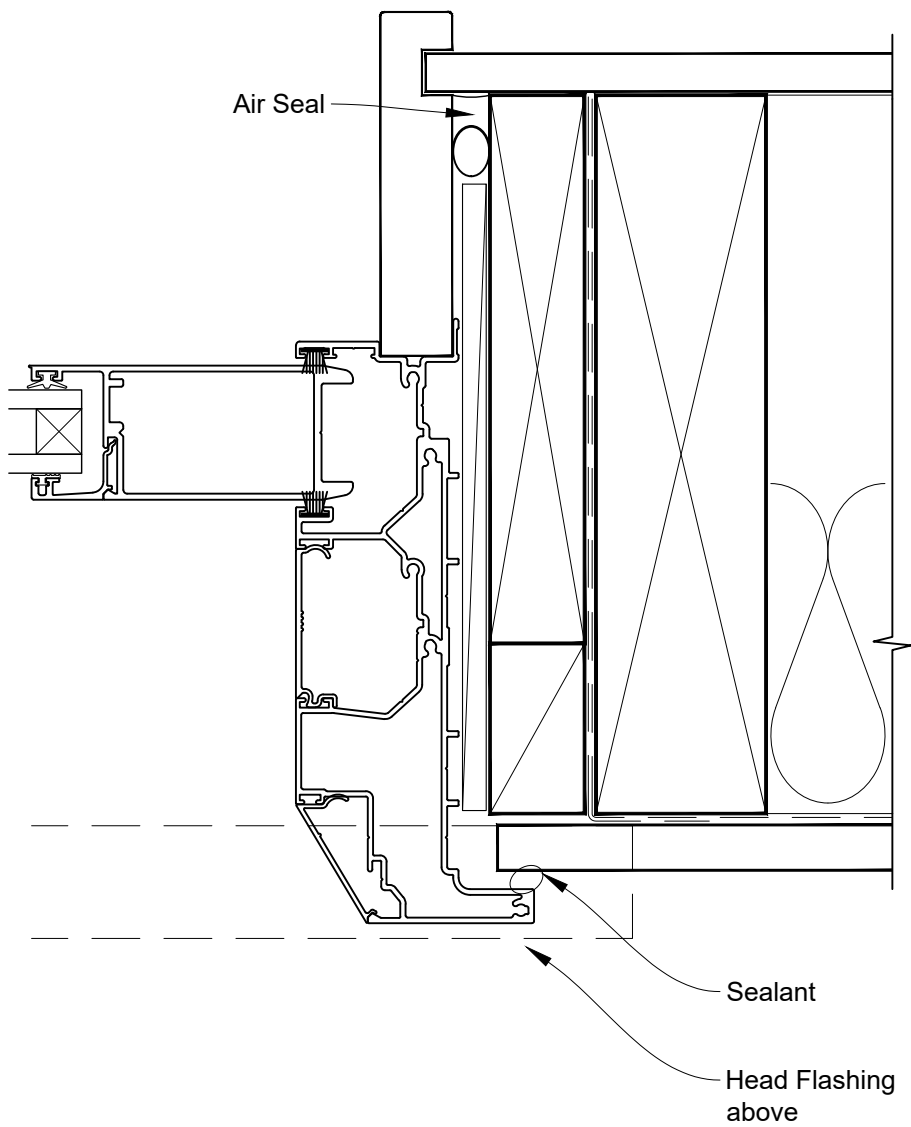
FLAT MULTISLIDER DOOR FRAME OPTION



FLAT MULTISLIDER DOOR FRAME OPTION



FLAT MULTISLIDER DOOR FRAME OPTION



FLAT MULTISLIDER DOOR FRAME OPTION

