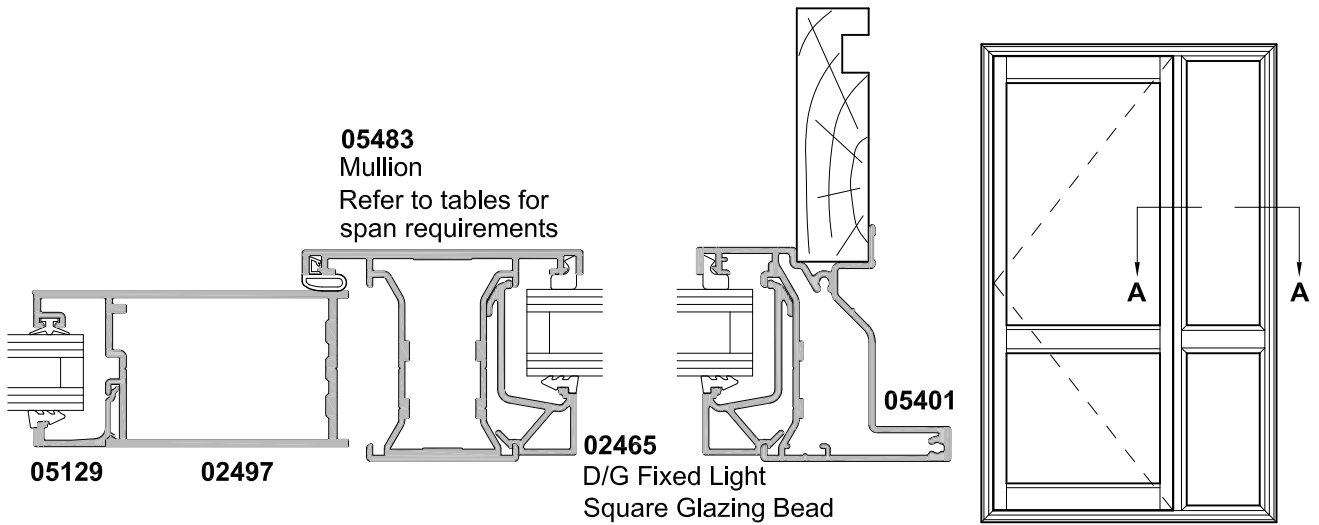


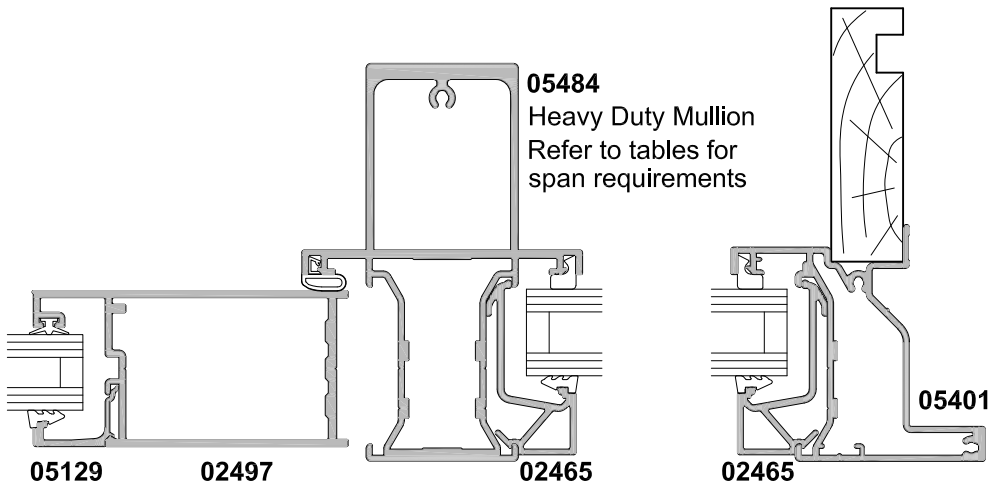
**HINGED DOOR, SIDELIGHT MULLIONS
AND COUPLING BAR**

CROSS SECTION

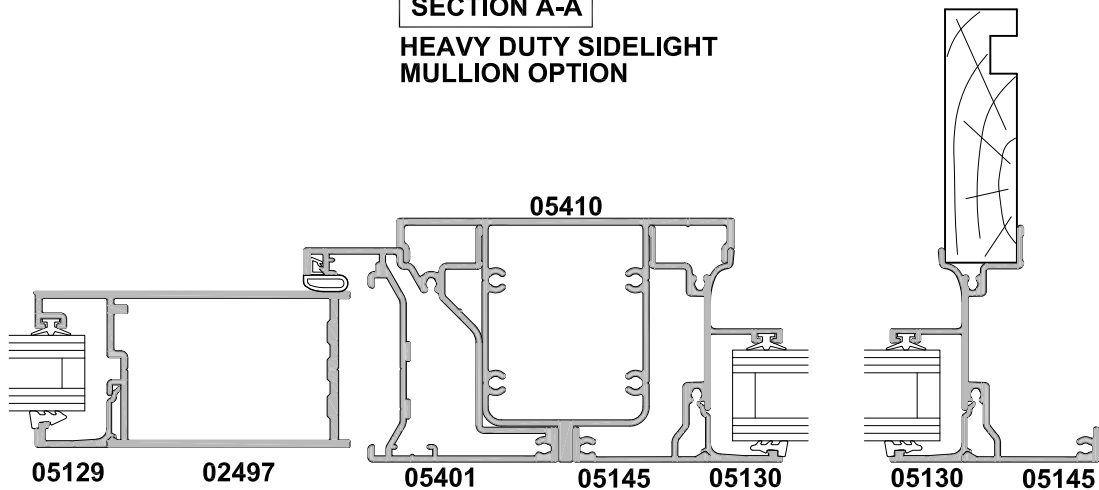
Date 01.04.19 Scale 1:2



SECTION A-A
DIRECT GLAZING OPTION



SECTION A-A
**HEAVY DUTY SIDELIGHT
MULLION OPTION**



SECTION A-A
COUPLING OPTION