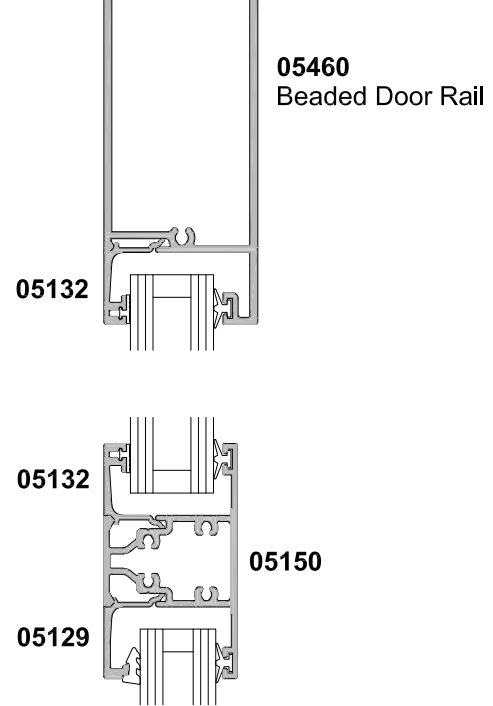
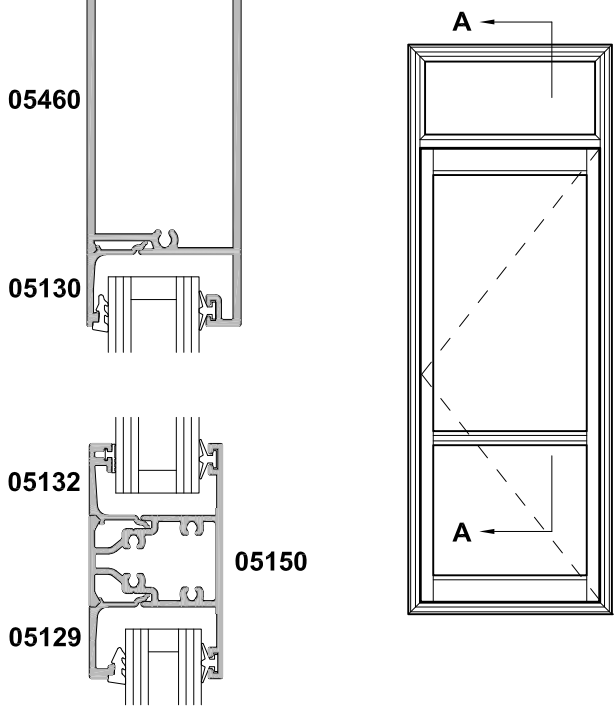
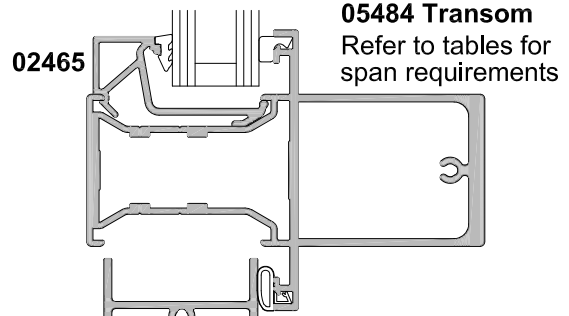
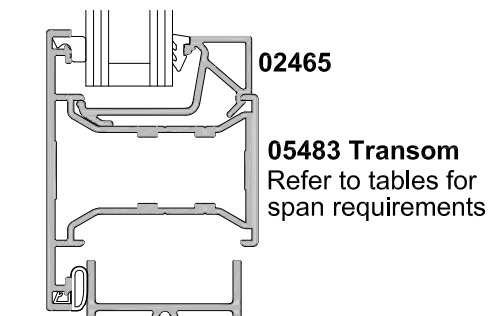
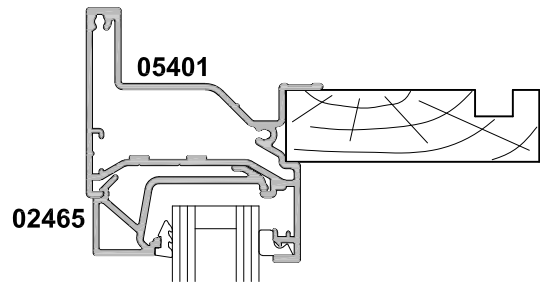
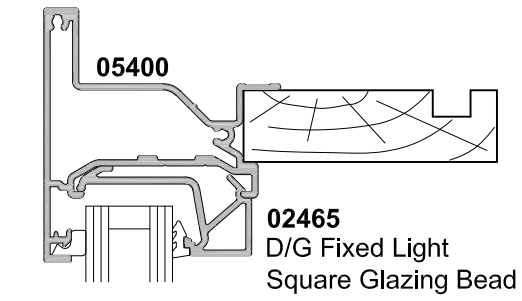


**HINGED DOOR, OPEN IN AND OUT
WITH OVERLIGHT TRANSOM**

CROSS SECTION

Date 01.04.19 Scale 1:2



**SECTION A-A
OPEN IN**

**SECTION A-A
OPEN OUT**