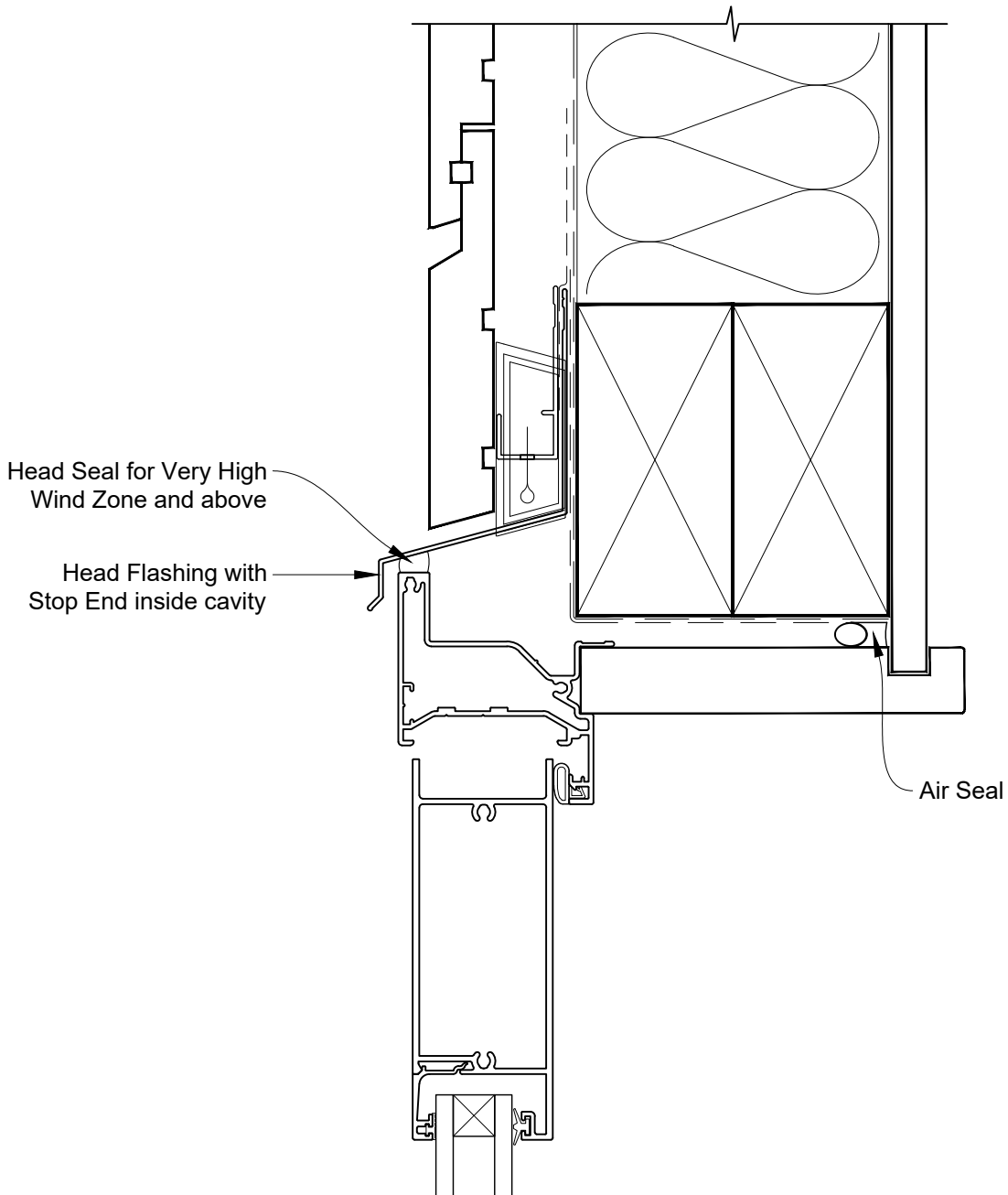


**INSTALLATION DETAIL - FIRST RESIDENTIAL
HINGED DOOR OPEN OUT ON RUSTICATED WEATHERBOARD
CAVITY CONSTRUCTION**

Date: 01.04.19

Scale: 1:2

CAD Ref.: FRHORW-MODEL

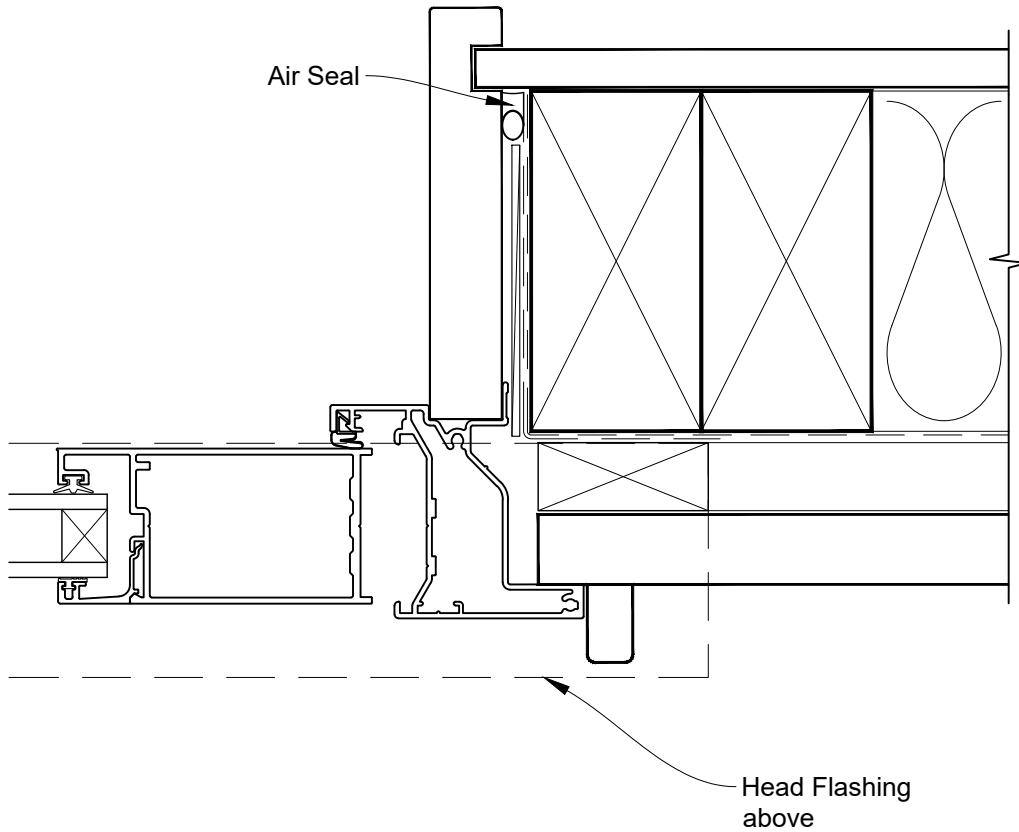


**INSTALLATION DETAIL - FIRST RESIDENTIAL
HINGED DOOR OPEN OUT ON RUSTICATED WEATHERBOARD
CAVITY CONSTRUCTION**

Date: 01.04.19

Scale: 1:2

CAD Ref.: FRHORW-MODEL

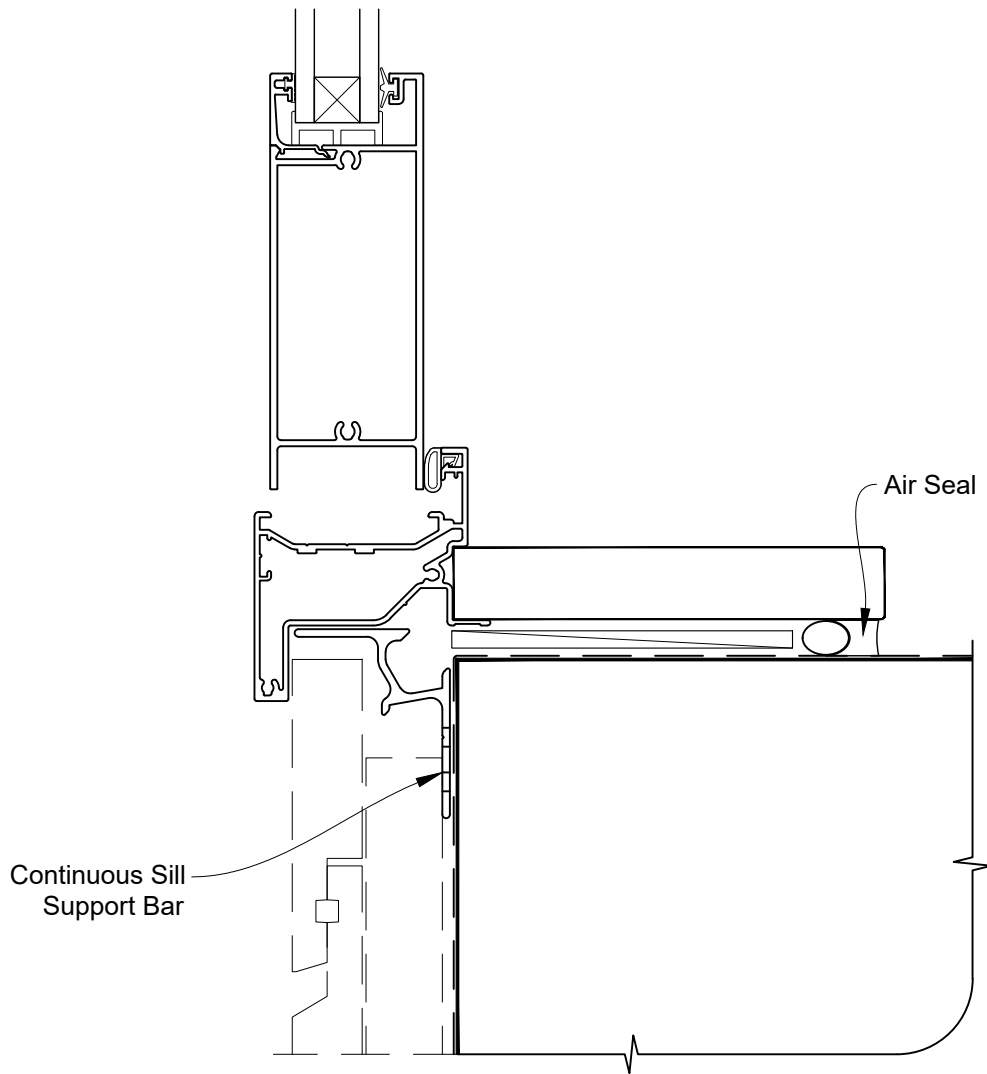


**INSTALLATION DETAIL - FIRST RESIDENTIAL
HINGED DOOR OPEN OUT ON RUSTICATED WEATHERBOARD
CAVITY CONSTRUCTION**

Date: 01.04.19

Scale: 1:2

CAD Ref.: FRHORW-MODEL

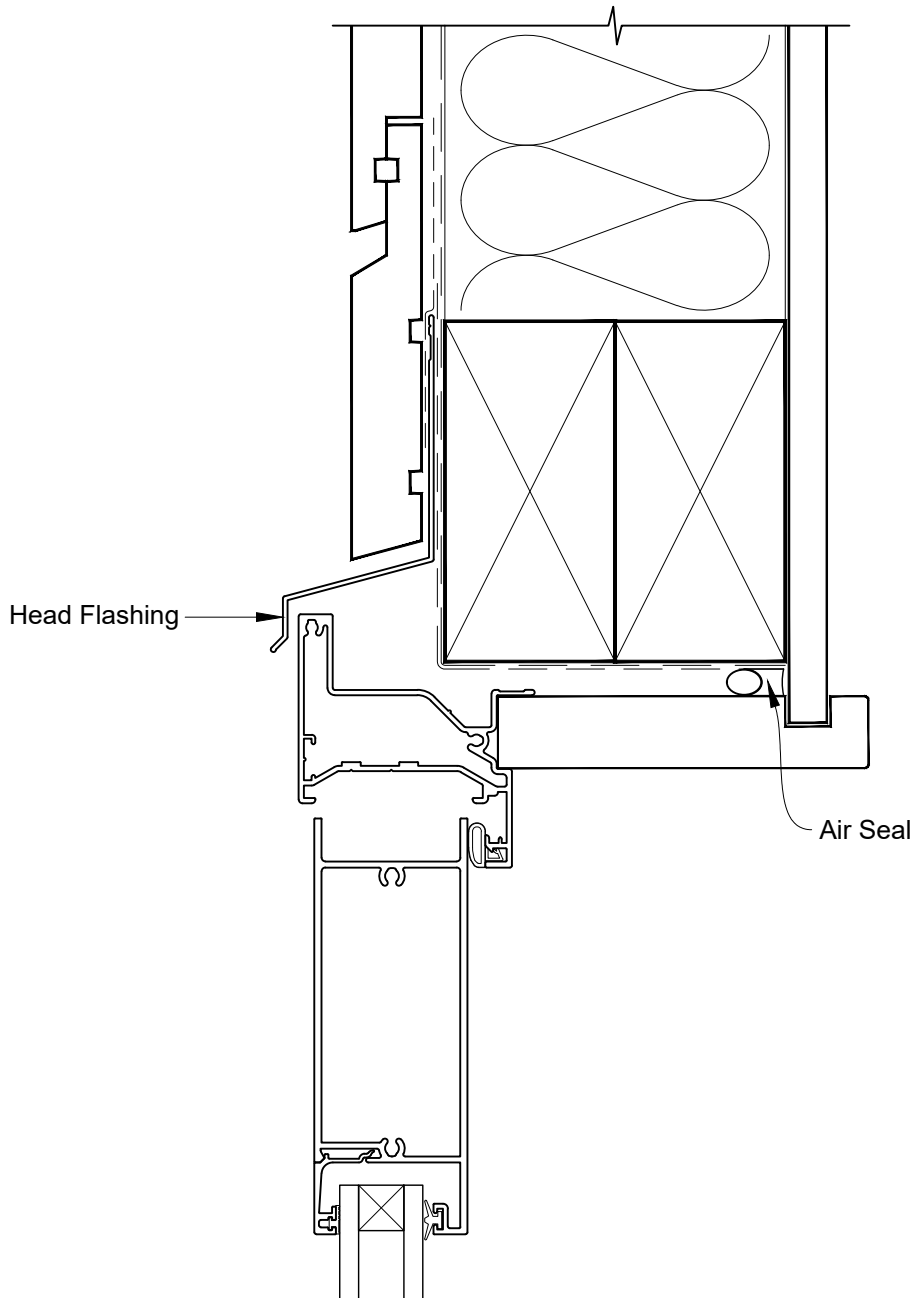


**INSTALLATION DETAIL - FIRST RESIDENTIAL
HINGED DOOR OPEN OUT ON RUSTICATED WEATHERBOARD
DIRECT FIXED CLADDING**

Date: 01.04.19

Scale: 1:2

CAD Ref.: FRHORW-MODEL

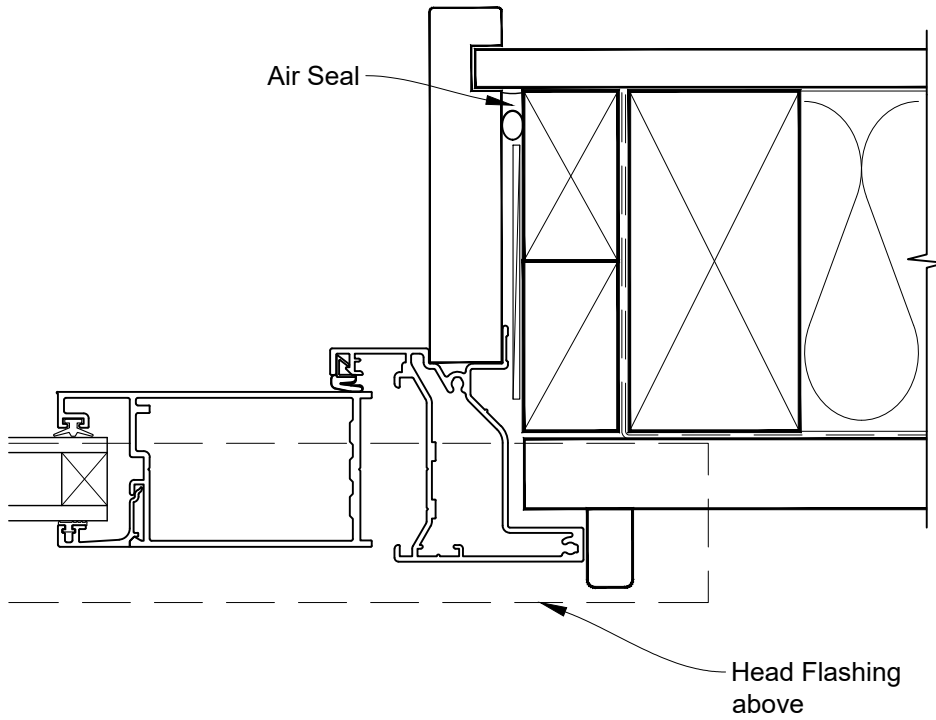


**INSTALLATION DETAIL - FIRST RESIDENTIAL
HINGED DOOR OPEN OUT ON RUSTICATED WEATHERBOARD
DIRECT FIXED CLADDING**

Date: 01.04.19

Scale: 1:2

CAD Ref.: FRHORW-MODEL



**INSTALLATION DETAIL - FIRST RESIDENTIAL
HINGED DOOR OPEN OUT ON RUSTICATED WEATHERBOARD
DIRECT FIXED CLADDING**

Date: 01.04.19

Scale: 1:2

CAD Ref.: FRHORW-MODEL

