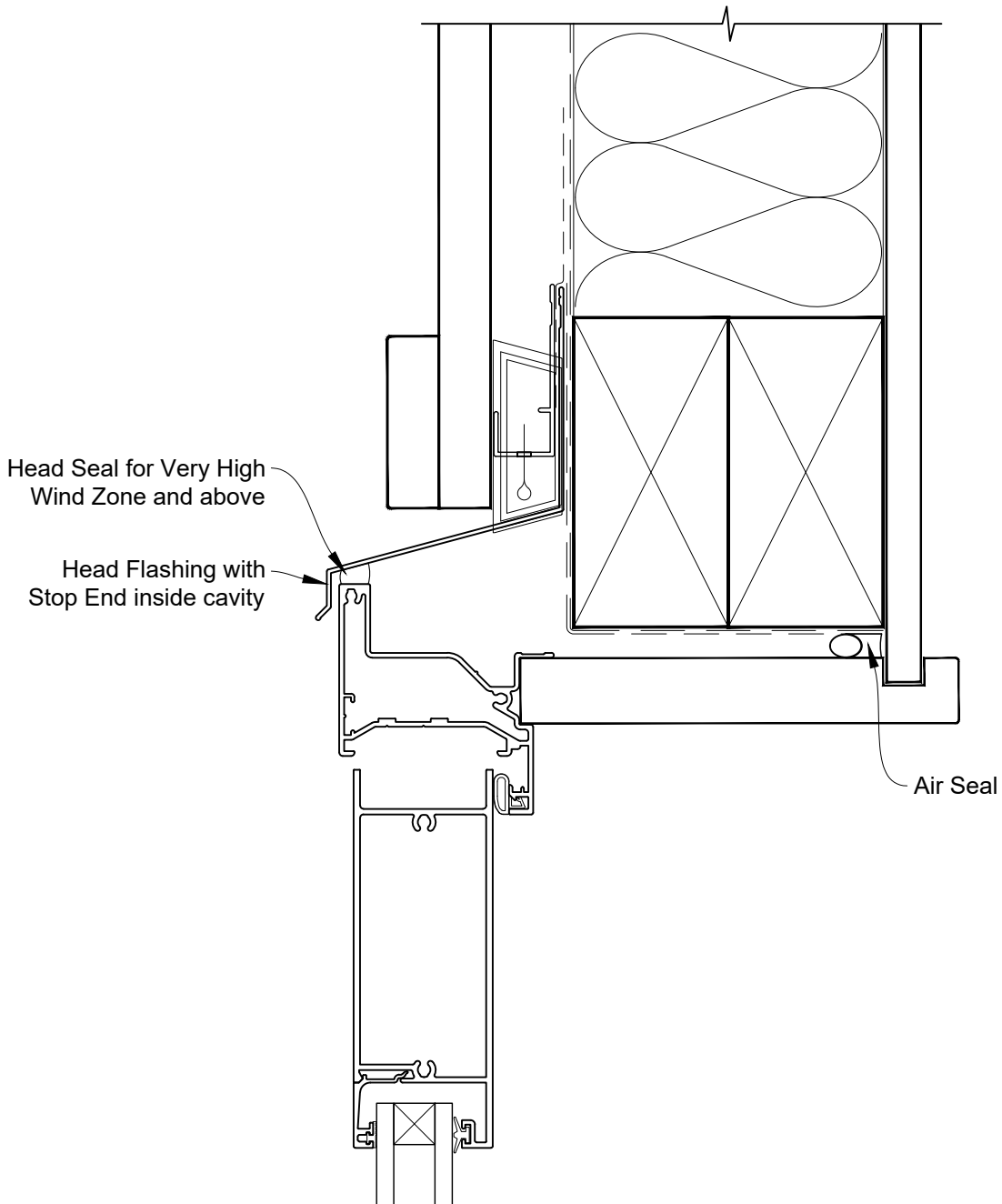


**INSTALLATION DETAIL - FIRST RESIDENTIAL
HINGED DOOR OPEN OUT ON BOARD & BATTEN
CAVITY CONSTRUCTION**

Date: 01.04.19

Scale: 1:2

CAD Ref.: FRHOBB-CH

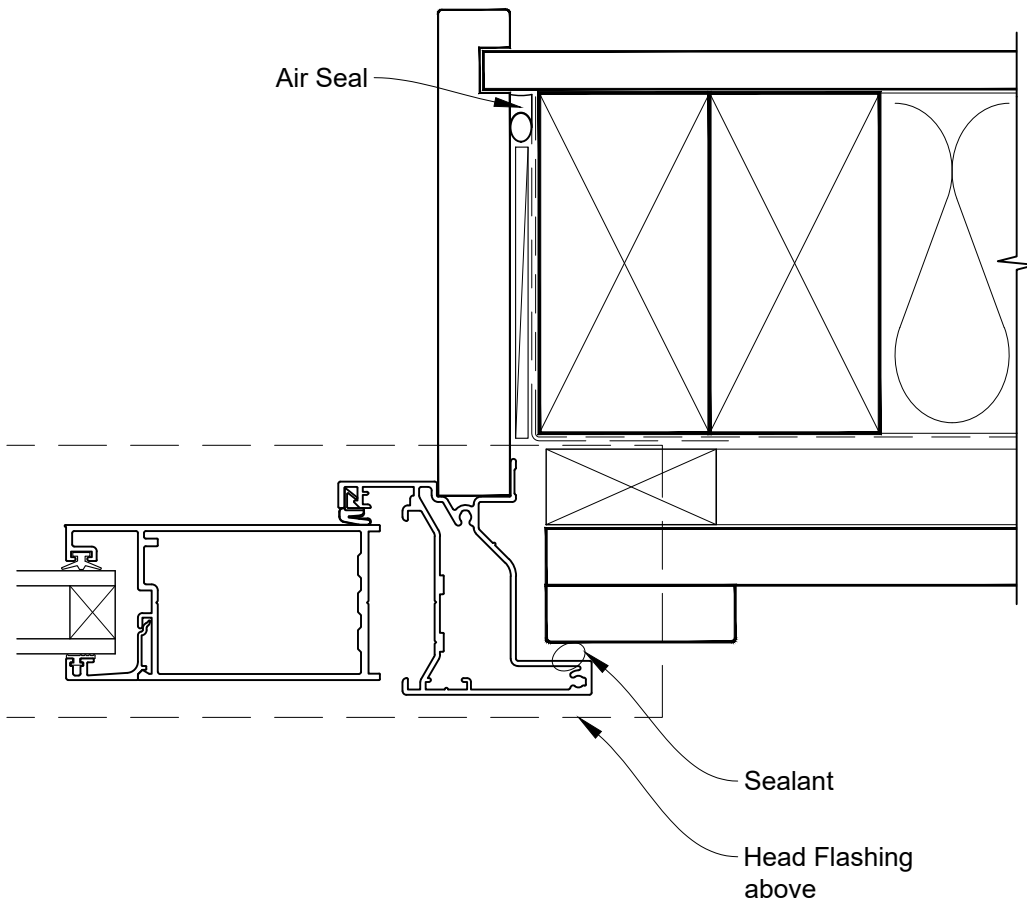


**INSTALLATION DETAIL - FIRST RESIDENTIAL
HINGED DOOR OPEN OUT ON BOARD & BATTEN
CAVITY CONSTRUCTION**

Date: 01.04.19

Scale: 1:2

CAD Ref.: FRHOBB-CJ

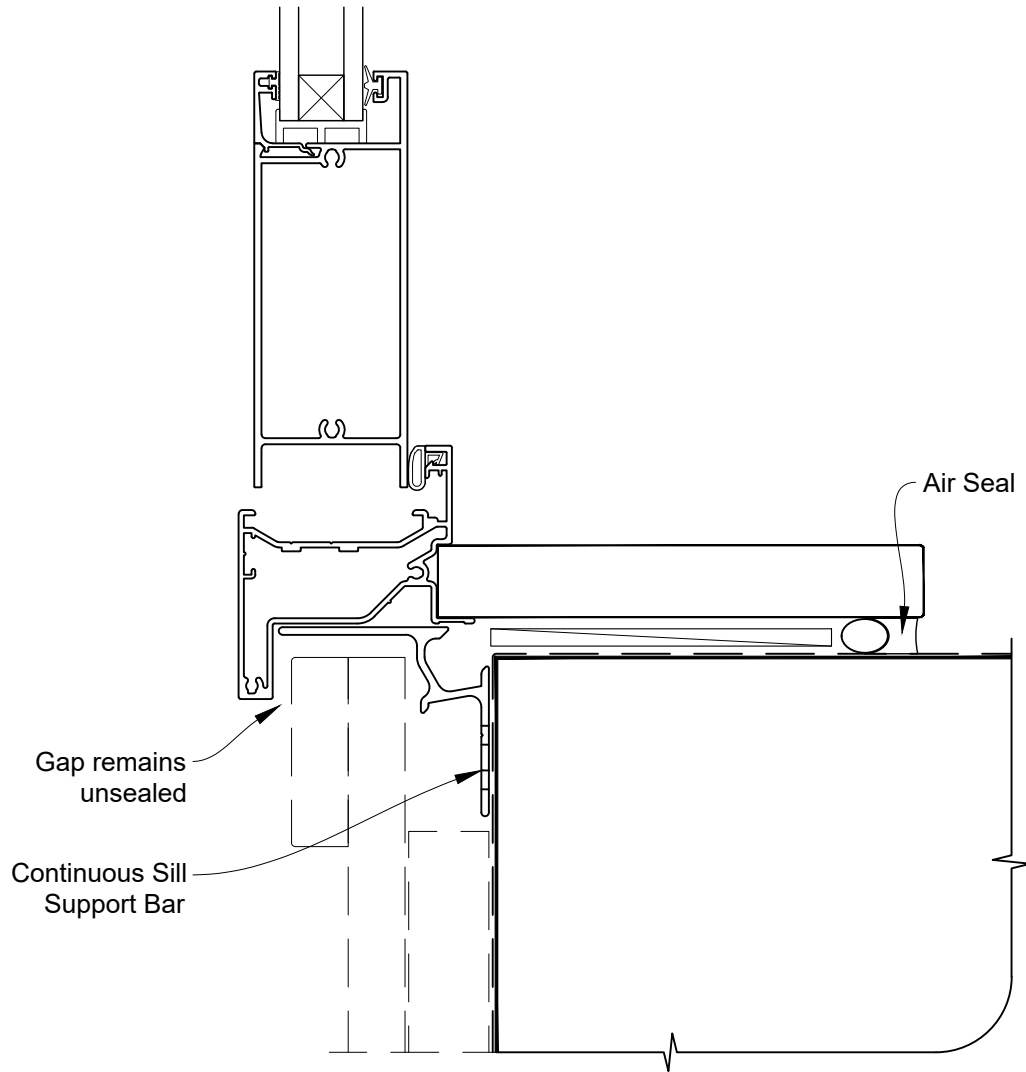


**INSTALLATION DETAIL - FIRST RESIDENTIAL
HINGED DOOR OPEN OUT ON BOARD & BATTEN
CAVITY CONSTRUCTION**

Date: 01.04.19

Scale: 1:2

CAD Ref.: FRHOBB-CS

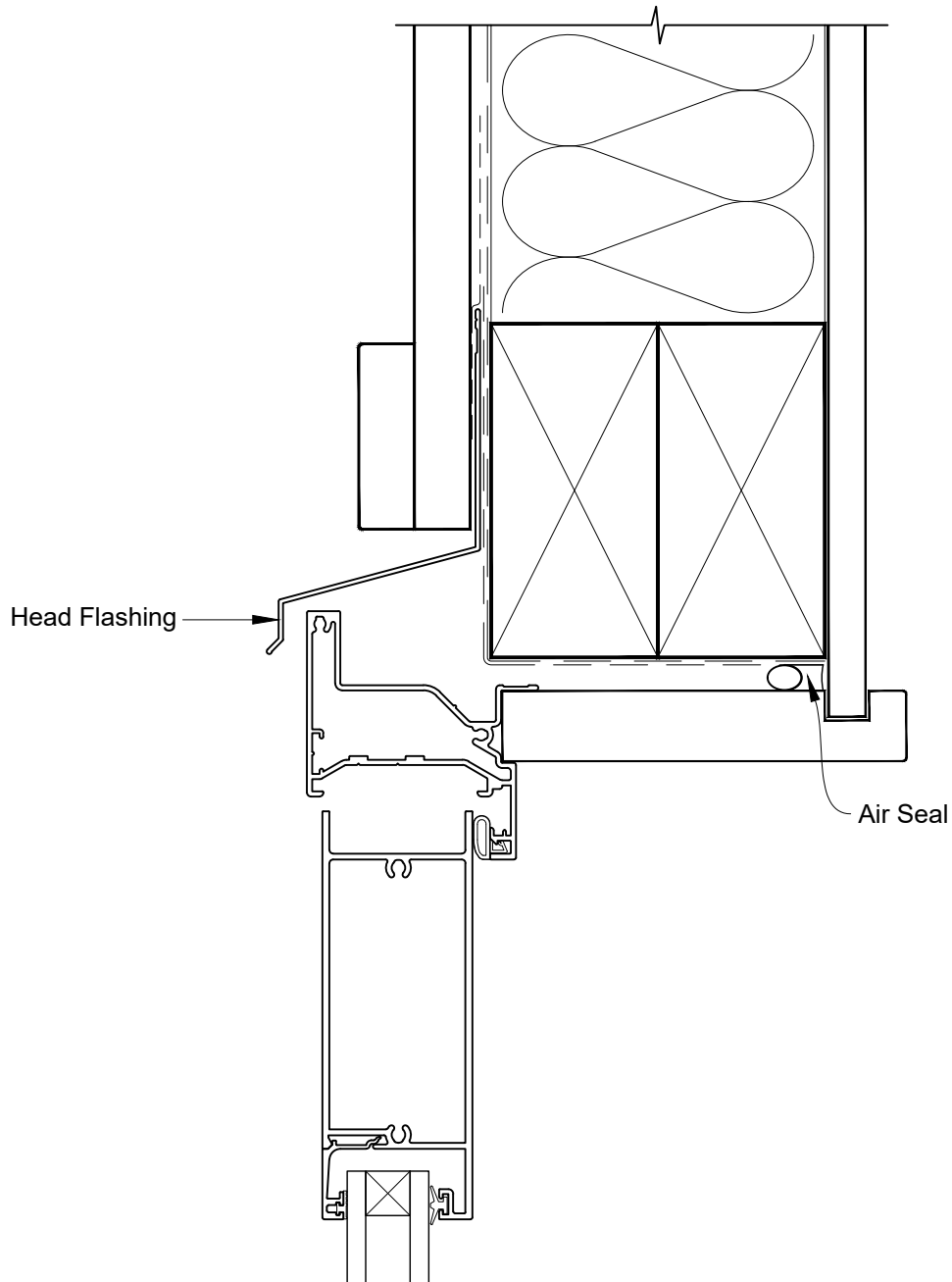


**INSTALLATION DETAIL - FIRST RESIDENTIAL
HINGED DOOR OPEN OUT ON BOARD & BATTEN
DIRECT FIXED CLADDING**

Date: 01.04.19

Scale: 1:2

CAD Ref.: FRHOBB-DH

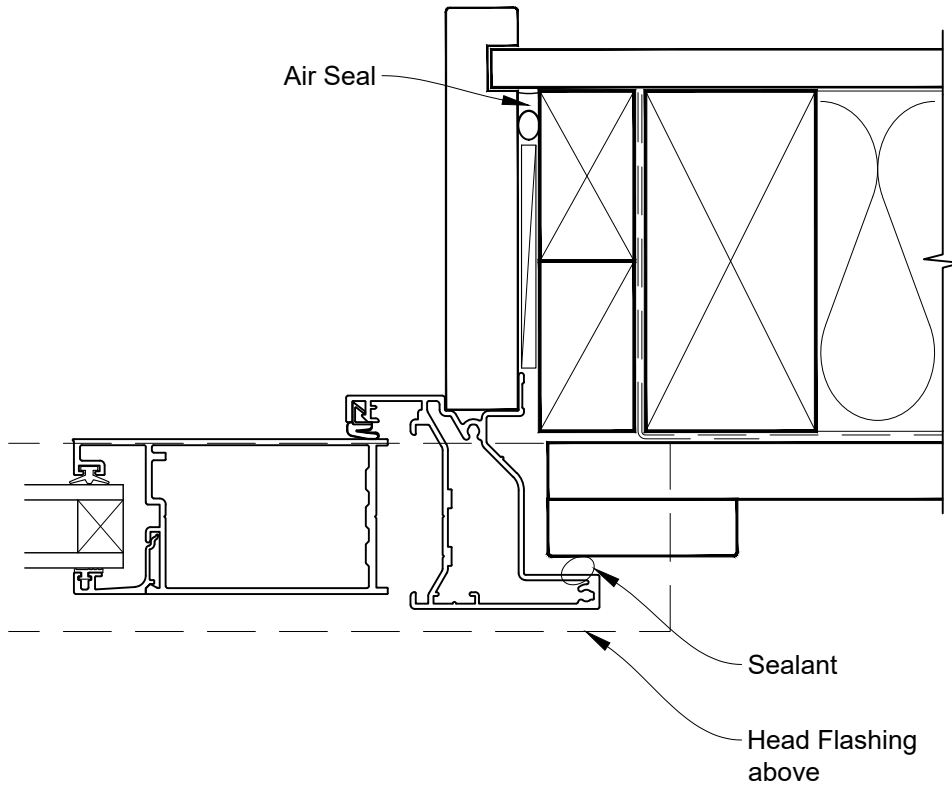


**INSTALLATION DETAIL - FIRST RESIDENTIAL
HINGED DOOR OPEN OUT ON BOARD & BATTEN
DIRECT FIXED CLADDING**

Date: 01.04.19

Scale: 1:2

CAD Ref.: FRHOBB-DJ



**INSTALLATION DETAIL - FIRST RESIDENTIAL
HINGED DOOR OPEN OUT ON BOARD & BATTEN
DIRECT FIXED CLADDING**

Date: 01.04.19

Scale: 1:2

CAD Ref.: FRHOBB-DS

