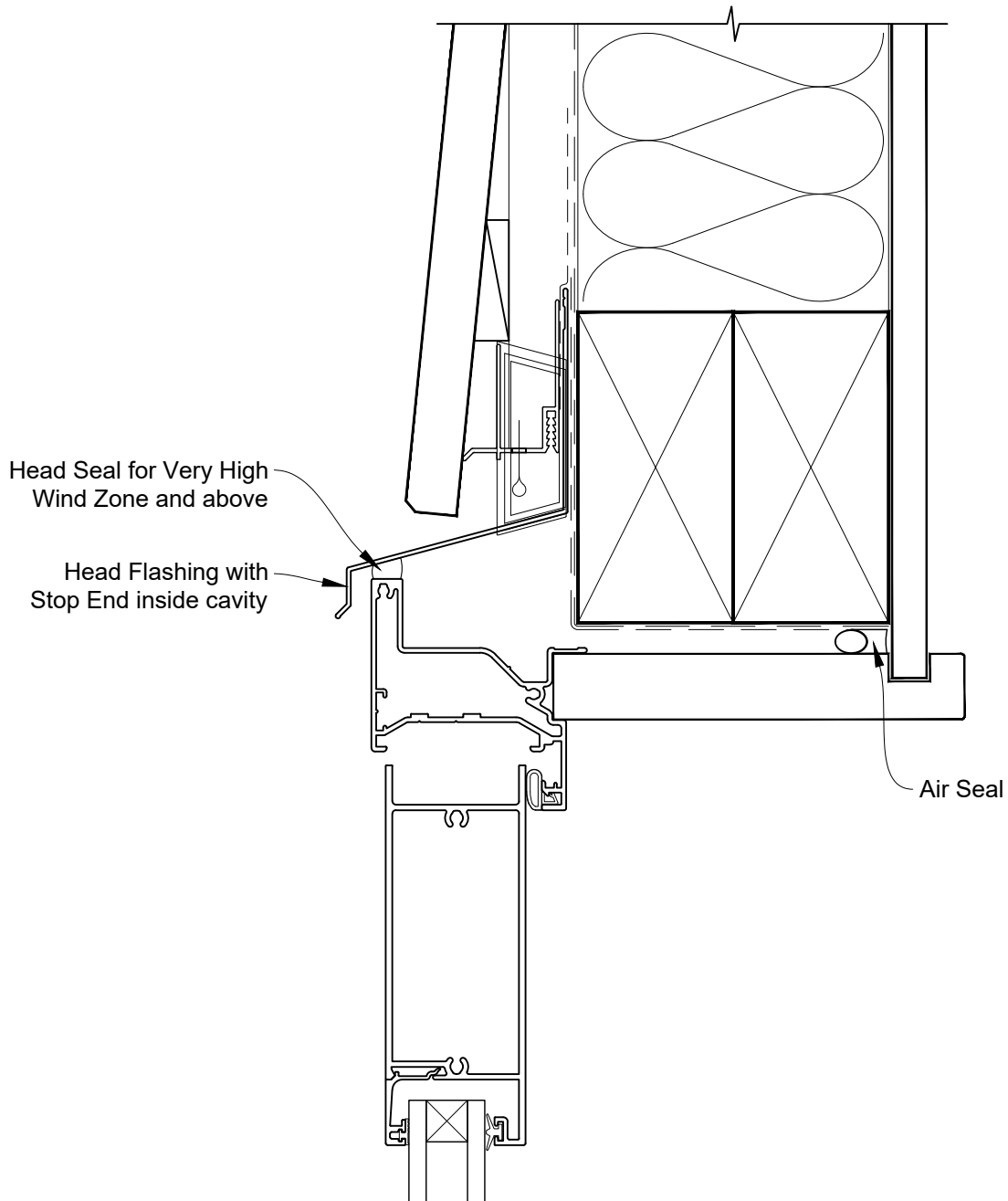


**INSTALLATION DETAIL - FIRST RESIDENTIAL
HINGED DOOR OPEN OUT ON BEVELBACK WEATHERBOARD
CAVITY CONSTRUCTION**

Date: 01.04.19

Scale: 1:2

CAD Ref.: FRHOBW-CH

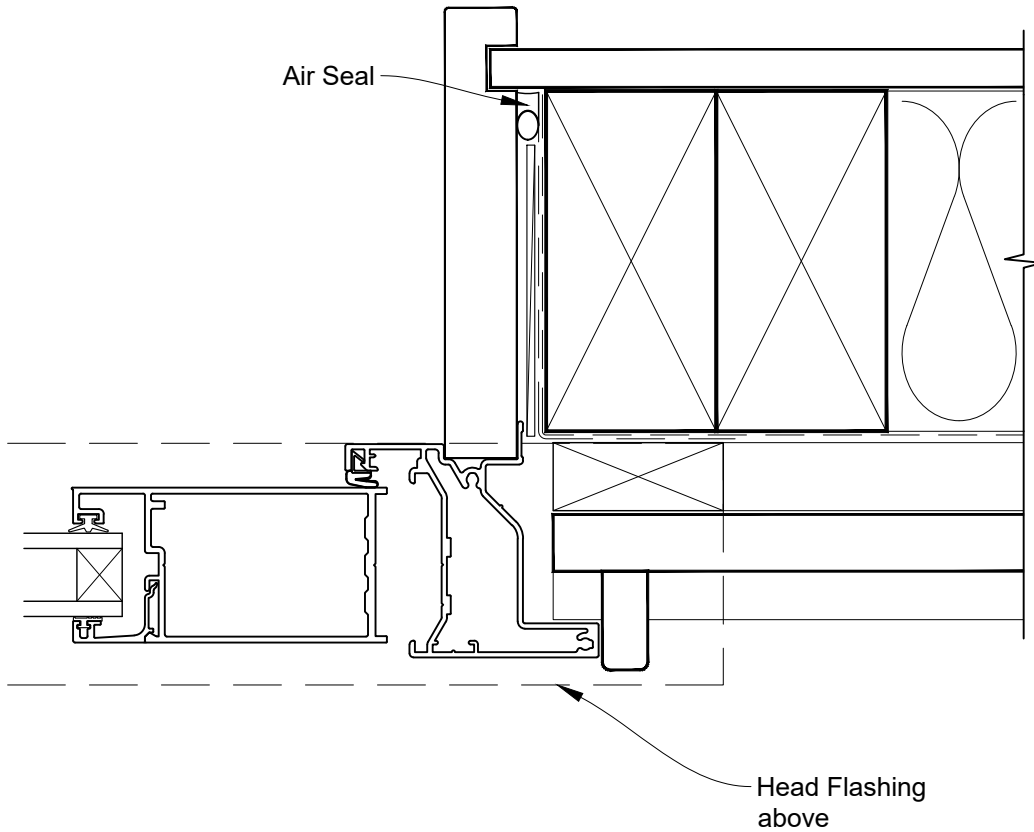


**INSTALLATION DETAIL - FIRST RESIDENTIAL
HINGED DOOR OPEN OUT ON BEVELBACK WEATHERBOARD
CAVITY CONSTRUCTION**

Date: 01.04.19

Scale: 1:2

CAD Ref.: FRHOBW-CJ

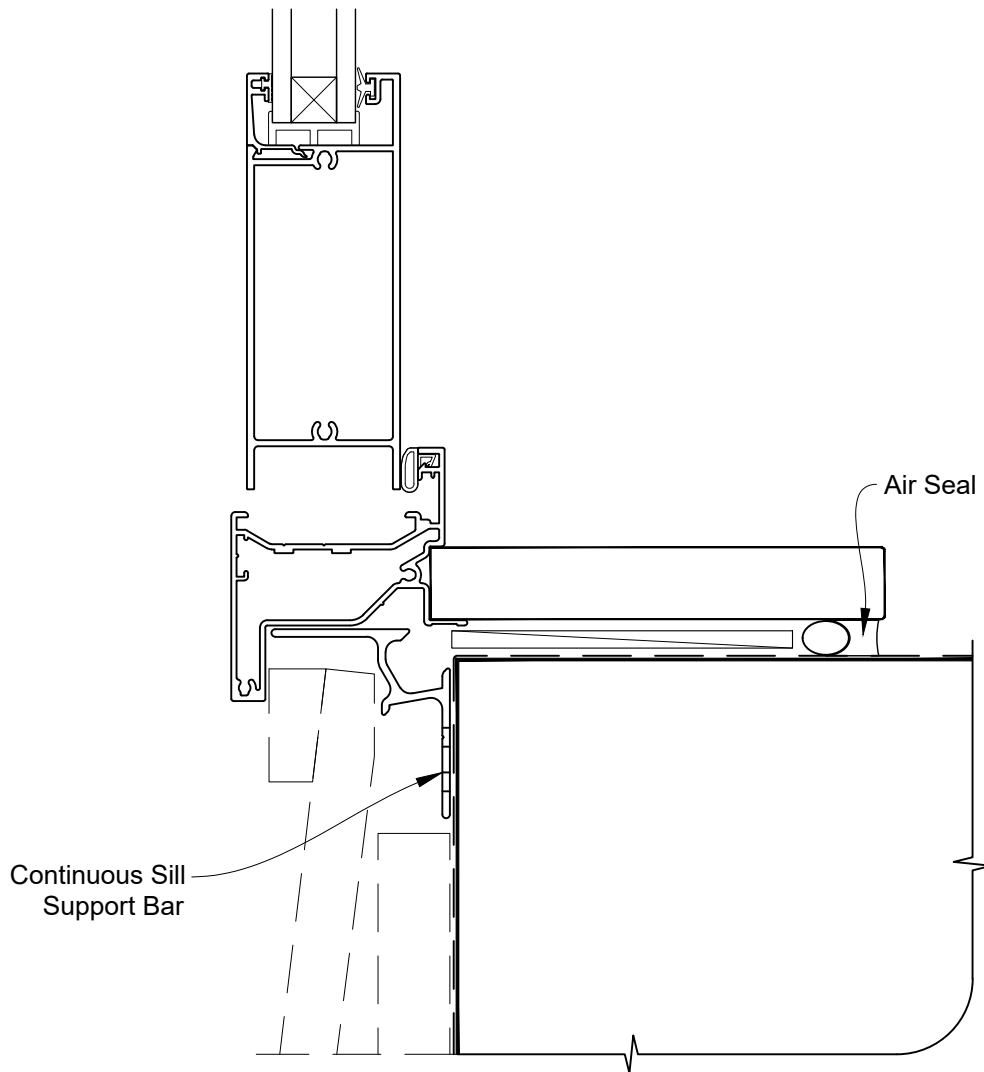


**INSTALLATION DETAIL - FIRST RESIDENTIAL
HINGED DOOR OPEN OUT ON BEVELBACK WEATHERBOARD
CAVITY CONSTRUCTION**

Date: 01.04.19

Scale: 1:2

CAD Ref.: FRHOBW-CS

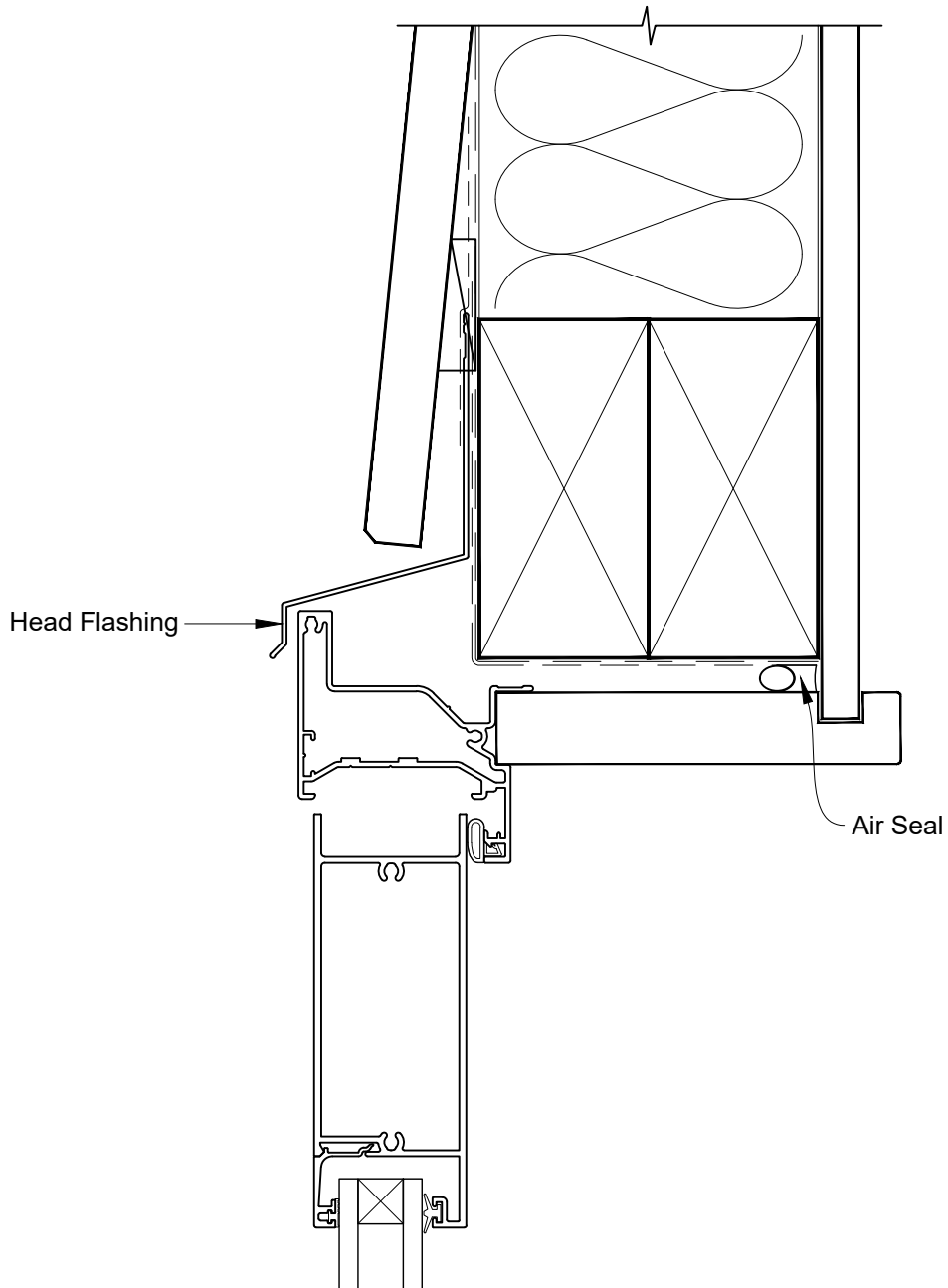


**INSTALLATION DETAIL - FIRST RESIDENTIAL
HINGED DOOR OPEN OUT ON BEVELBACK WEATHERBOARD
DIRECT FIXED CLADDING**

Date: 01.04.19

Scale: 1:2

CAD Ref.: FRHOBW-DH

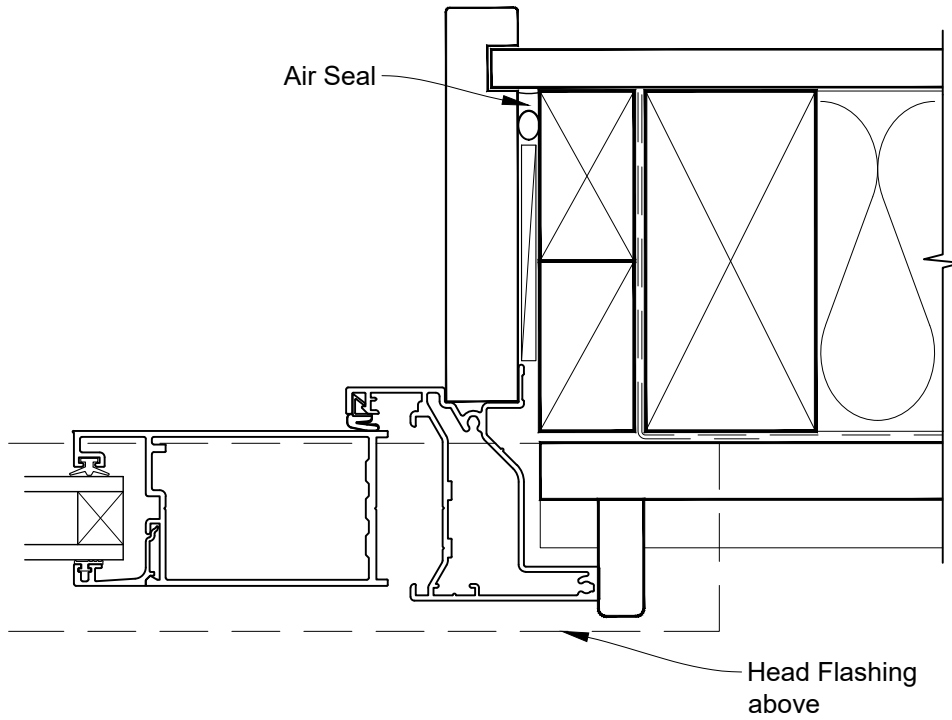


**INSTALLATION DETAIL - FIRST RESIDENTIAL
HINGED DOOR OPEN OUT ON BEVELBACK WEATHERBOARD
DIRECT FIXED CLADDING**

Date: 01.04.19

Scale: 1:2

CAD Ref.: FRHOBW-DJ



**INSTALLATION DETAIL - FIRST RESIDENTIAL
HINGED DOOR OPEN OUT ON BEVELBACK WEATHERBOARD
DIRECT FIXED CLADDING**

Date: 01.04.19

Scale: 1:2

CAD Ref.: FRHOBW-DS

