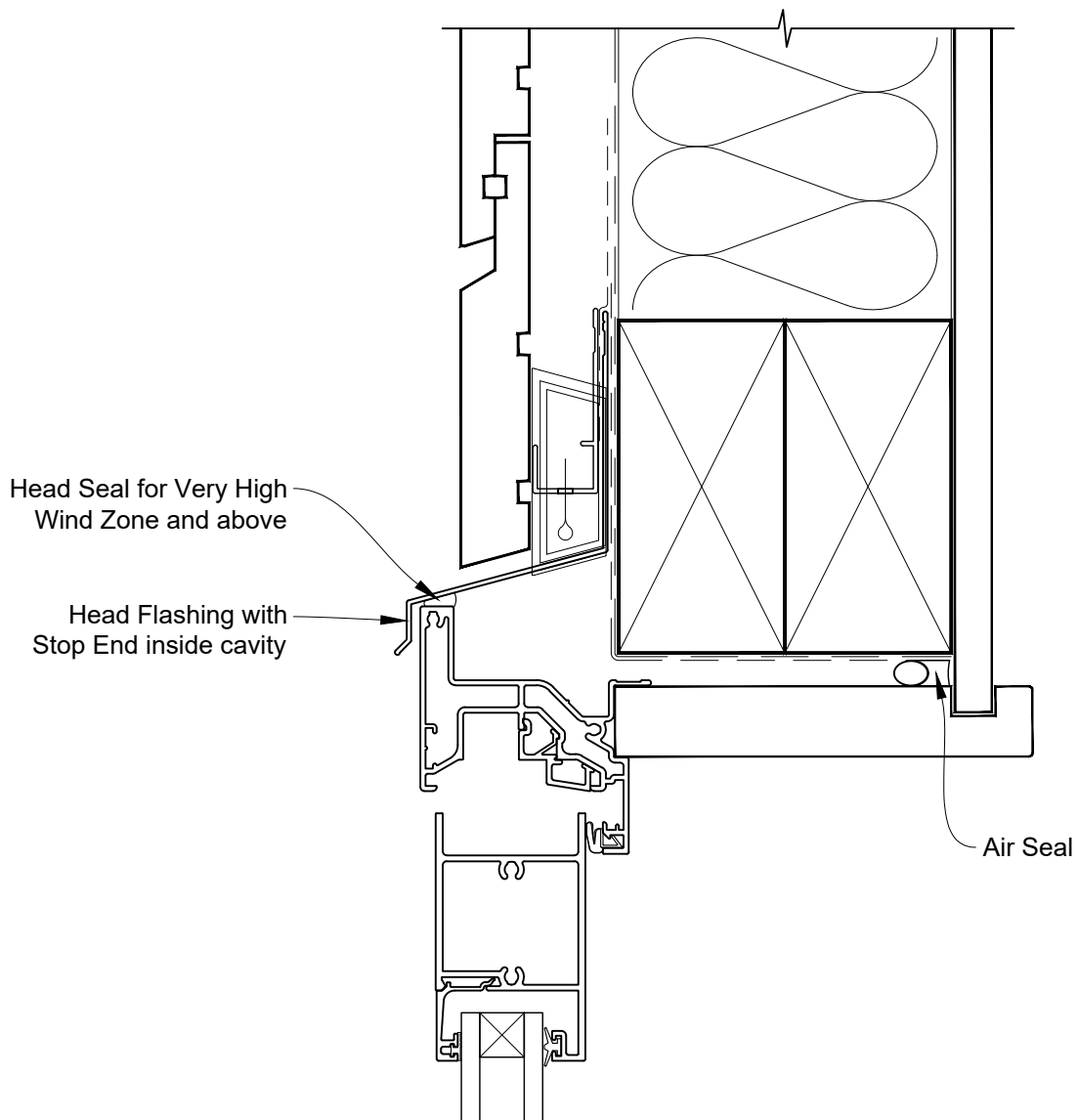


**INSTALLATION DETAIL - FIRST RESIDENTIAL
BIFOLD WINDOW ON RUSTICATED WEATHERBOARD
CAVITY CONSTRUCTION**

Date: 01.04.19

Scale: 1:2

CAD Ref.: FRBWRW-CH

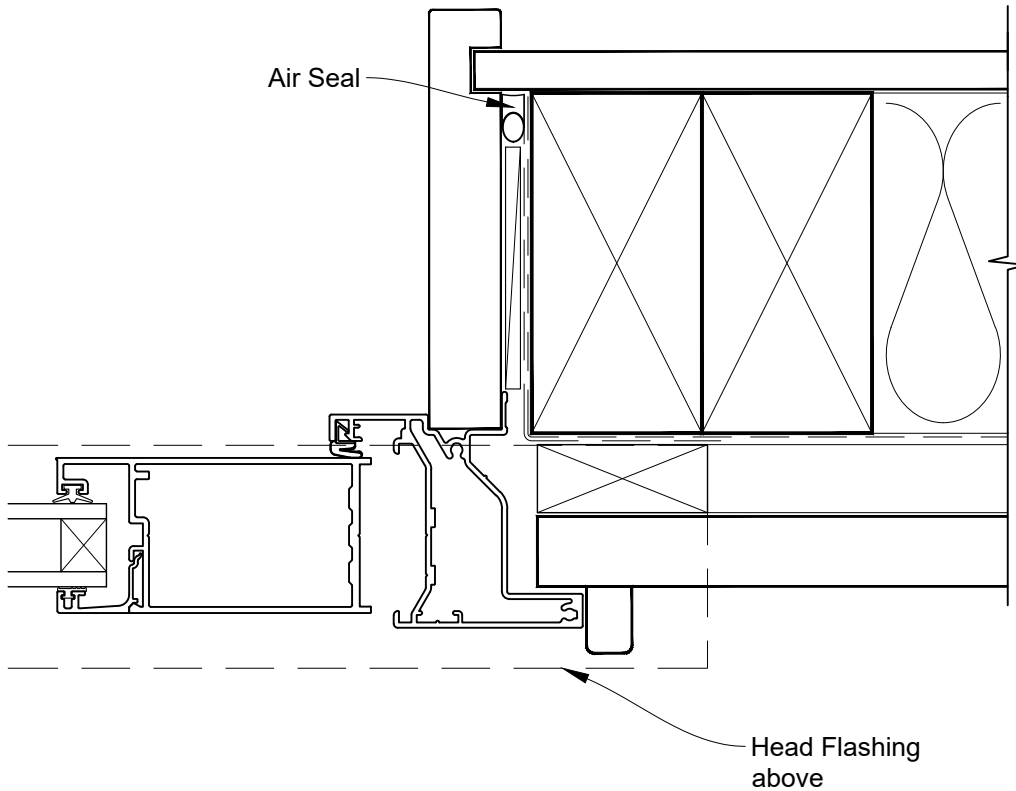


**INSTALLATION DETAIL - FIRST RESIDENTIAL
BIFOLD WINDOW ON RUSTICATED WEATHERBOARD
CAVITY CONSTRUCTION**

Date: 01.04.19

Scale: 1:2

CAD Ref.: FRBWRW-CJ

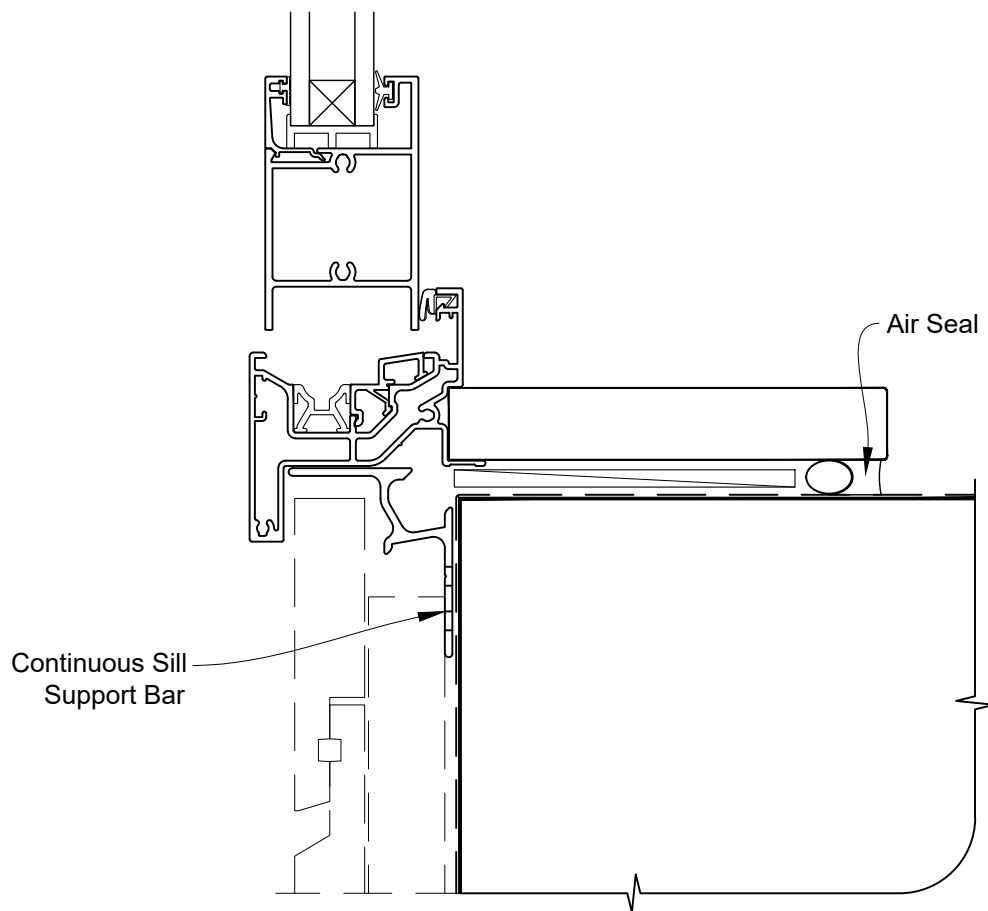


**INSTALLATION DETAIL - FIRST RESIDENTIAL
BIFOLD WINDOW ON RUSTICATED WEATHERBOARD
CAVITY CONSTRUCTION**

Date: 01.04.19

Scale: 1:2

CAD Ref.: FRBWRW-CS

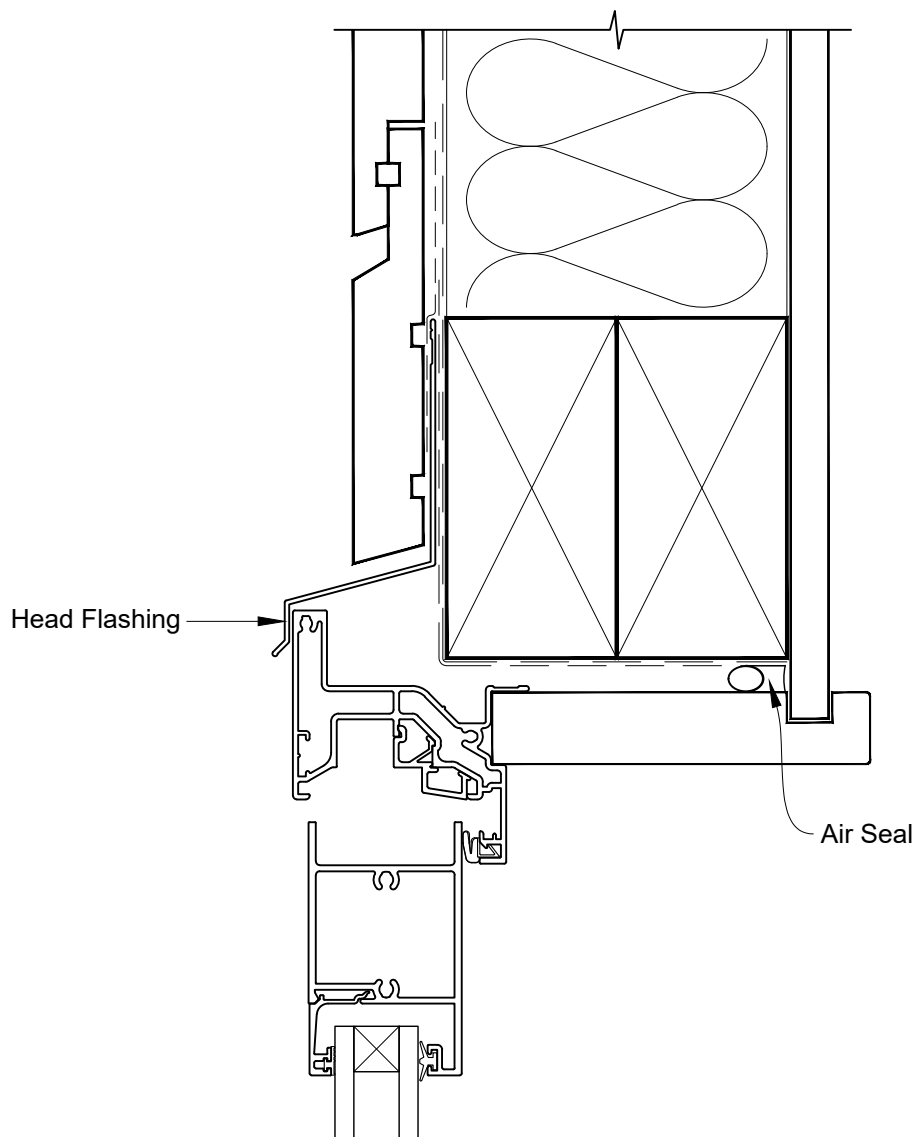


**INSTALLATION DETAIL - FIRST RESIDENTIAL
BIFOLD WINDOW ON RUSTICATED WEATHERBOARD
DIRECT FIXED CLADDING**

Date: 01.04.19

Scale: 1:2

CAD Ref.: FRBWRW-DH

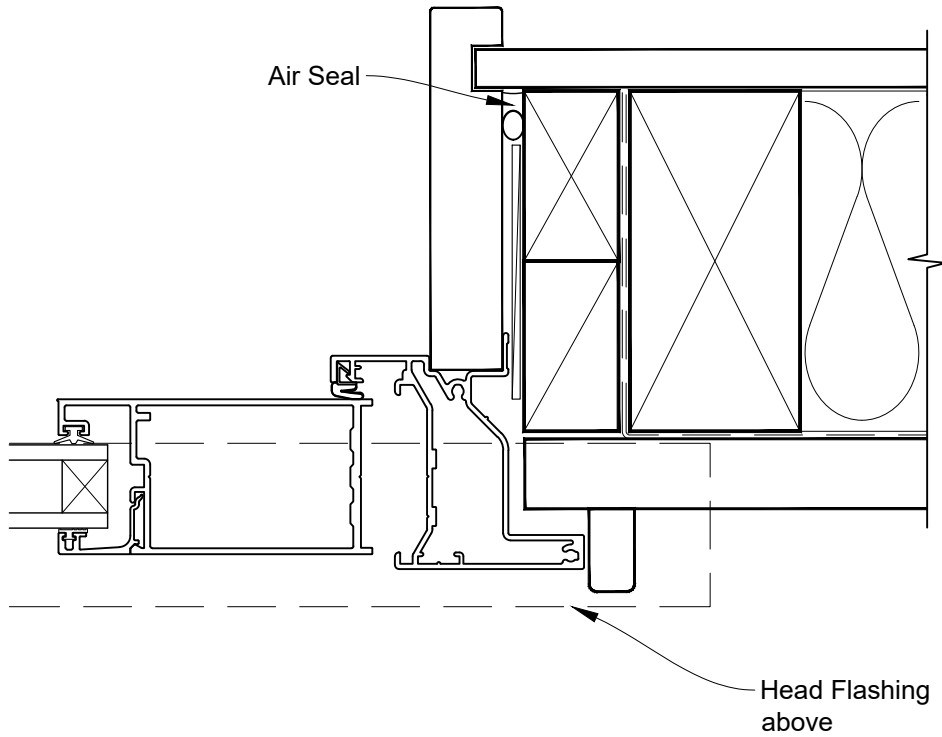


**INSTALLATION DETAIL - FIRST RESIDENTIAL
BIFOLD WINDOW ON RUSTICATED WEATHERBOARD
DIRECT FIXED CLADDING**

Date: 01.04.19

Scale: 1:2

CAD Ref.: FRBWRW-DJ



**INSTALLATION DETAIL - FIRST RESIDENTIAL
BIFOLD WINDOW ON RUSTICATED WEATHERBOARD
DIRECT FIXED CLADDING**

Date: 01.04.19

Scale: 1:2

CAD Ref.: FRBWRW-DS

