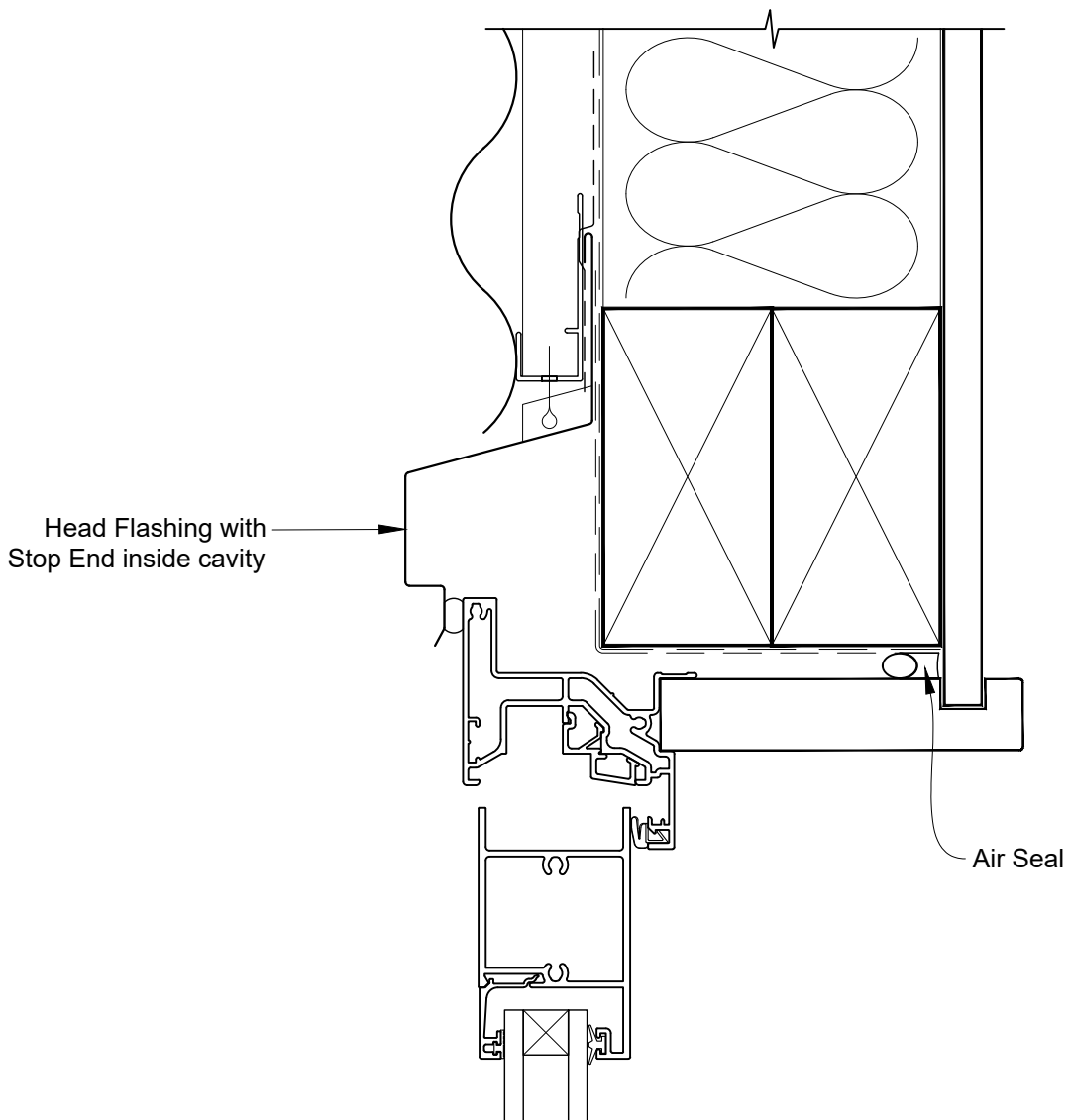


**INSTALLATION DETAIL - FIRST RESIDENTIAL  
BIFOLD WINDOW ON PROFILE METAL  
CAVITY CONSTRUCTION**

Date: 01.04.19

Scale: 1:2

CAD Ref.: FRBWPM-CH

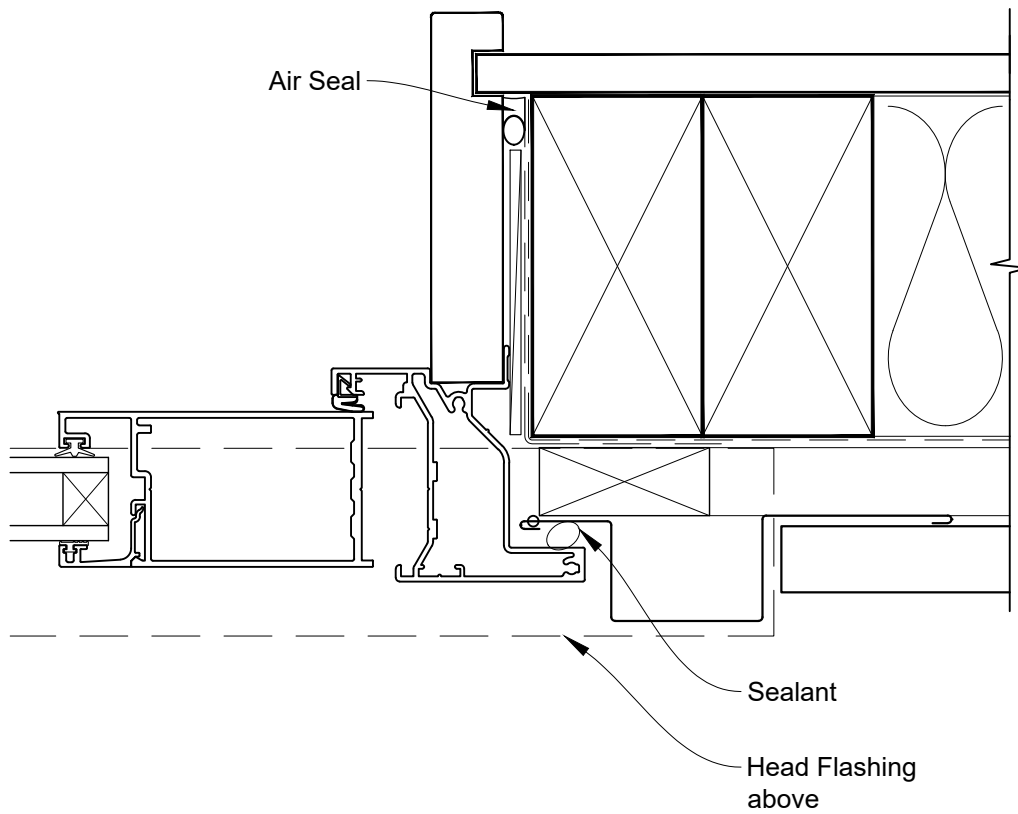


**INSTALLATION DETAIL - FIRST RESIDENTIAL  
BIFOLD WINDOW ON PROFILE METAL  
CAVITY CONSTRUCTION**

Date: 01.04.19

Scale: 1:2

CAD Ref.: FRBWPM-CJ

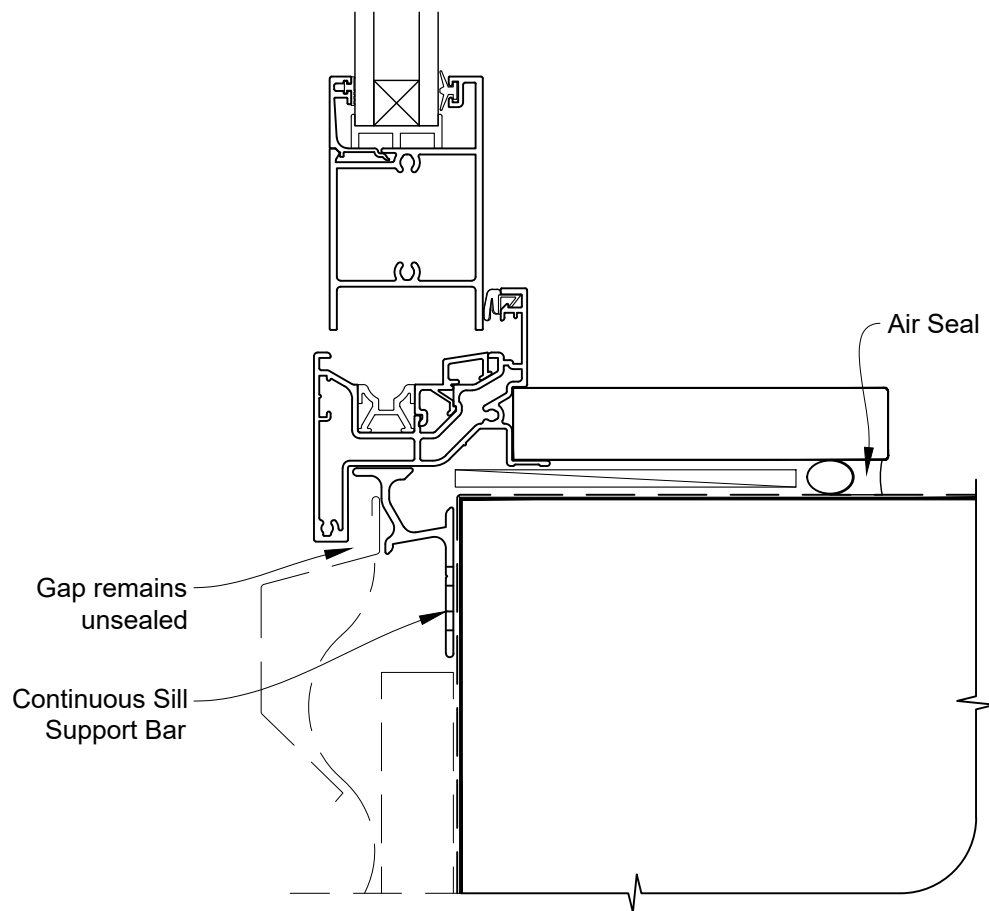


**INSTALLATION DETAIL - FIRST RESIDENTIAL  
BIFOLD WINDOW ON PROFILE METAL  
CAVITY CONSTRUCTION**

Date: 01.04.19

Scale: 1:2

CAD Ref.: FRBWPM-CS

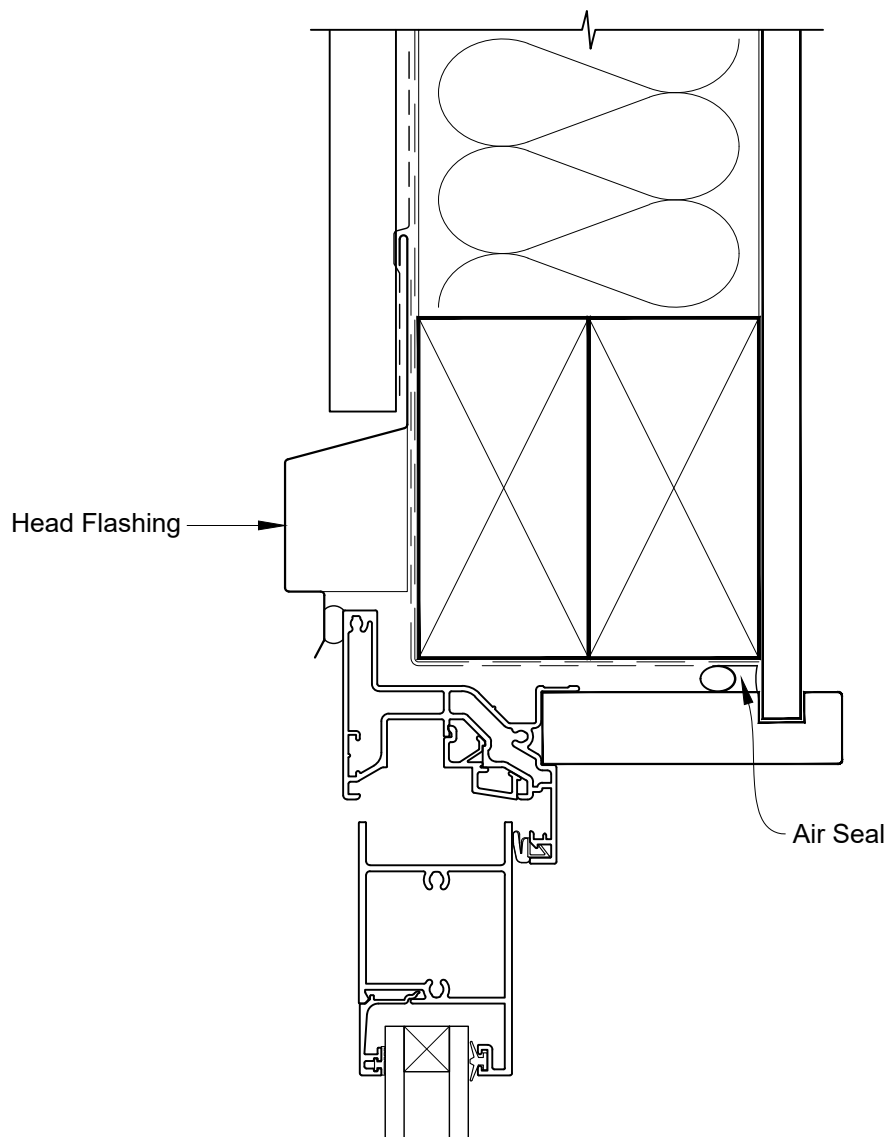


**INSTALLATION DETAIL - FIRST RESIDENTIAL  
BIFOLD WINDOW ON PROFILE METAL  
DIRECT FIXED CLADDING**

Date: 01.04.19

Scale: 1:2

CAD Ref.: FRBWPM-DH

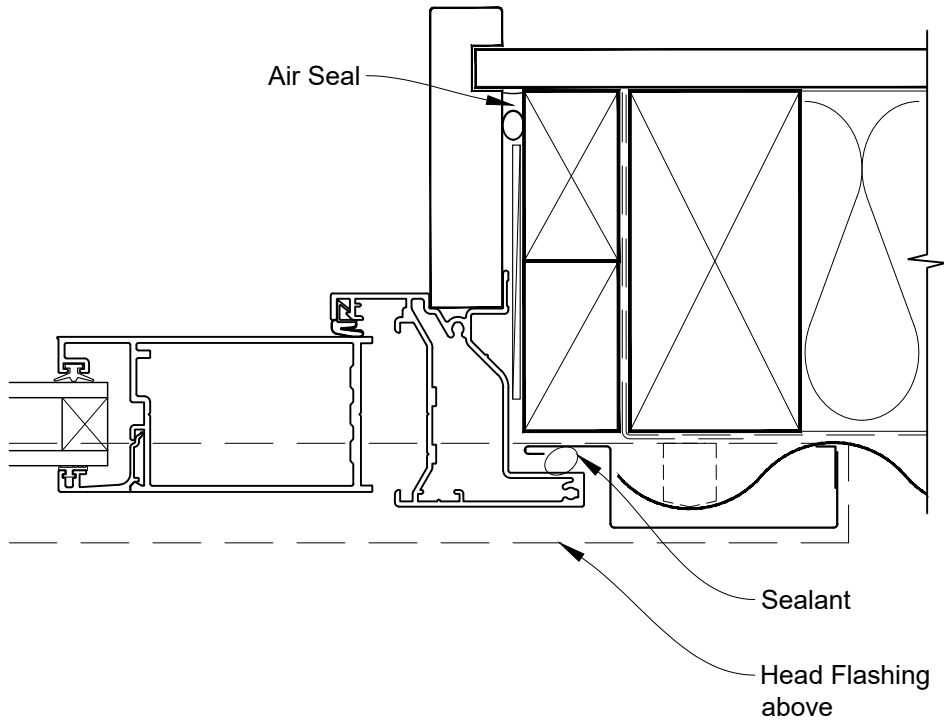


**INSTALLATION DETAIL - FIRST RESIDENTIAL  
BIFOLD WINDOW ON PROFILE METAL  
DIRECT FIXED CLADDING**

Date: 01.04.19

Scale: 1:2

CAD Ref.: FRBWPM-DJ



**INSTALLATION DETAIL - FIRST RESIDENTIAL  
BIFOLD WINDOW ON PROFILE METAL  
DIRECT FIXED CLADDING**

Date: 01.04.19

Scale: 1:2

CAD Ref.: FRBWPM-DS

