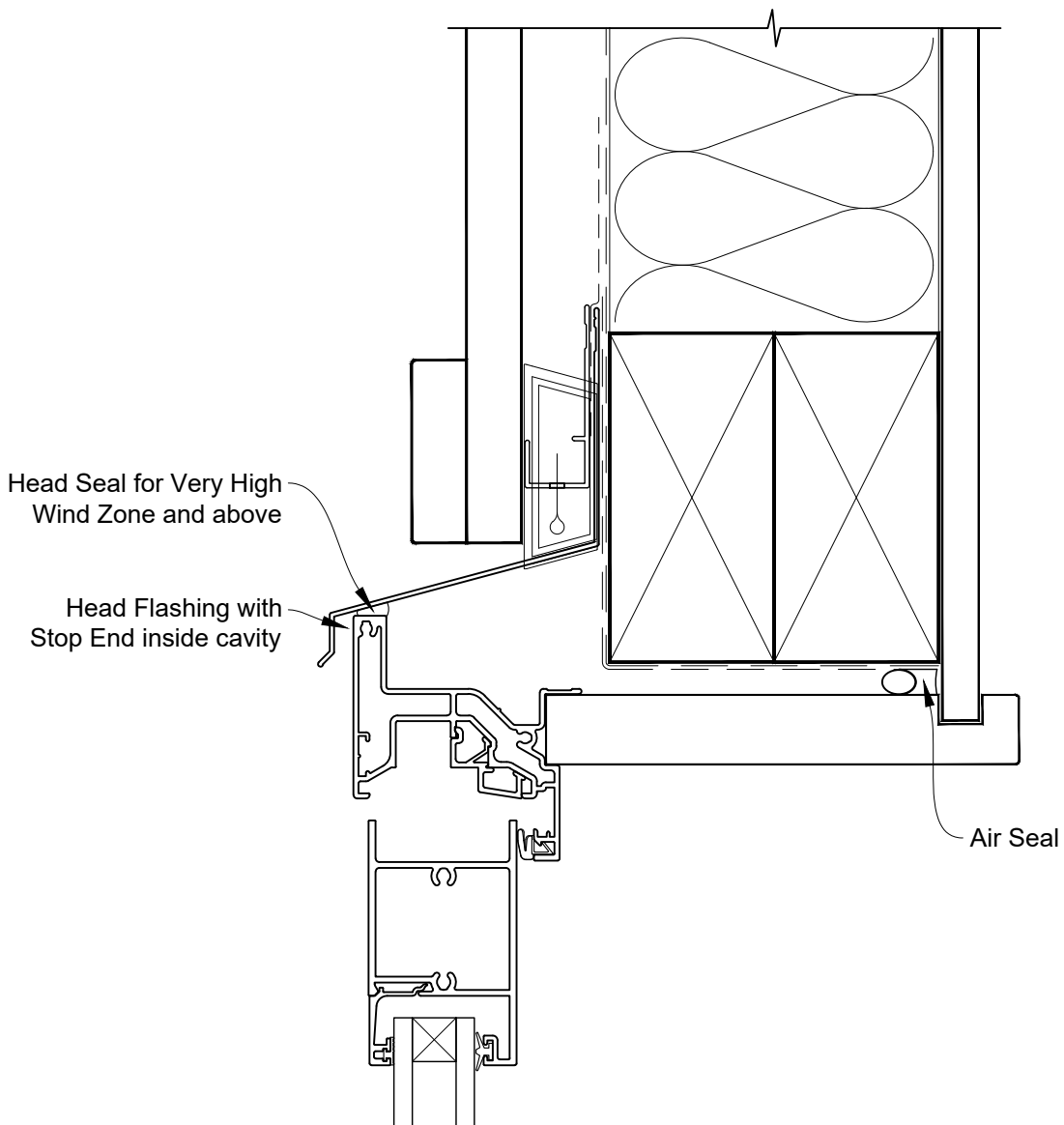


**INSTALLATION DETAIL - FIRST RESIDENTIAL
BIFOLD WINDOW ON BOARD & BATTEN
CAVITY CONSTRUCTION**

Date: 01.04.19

Scale: 1:2

CAD Ref.: FRBWBB-CH

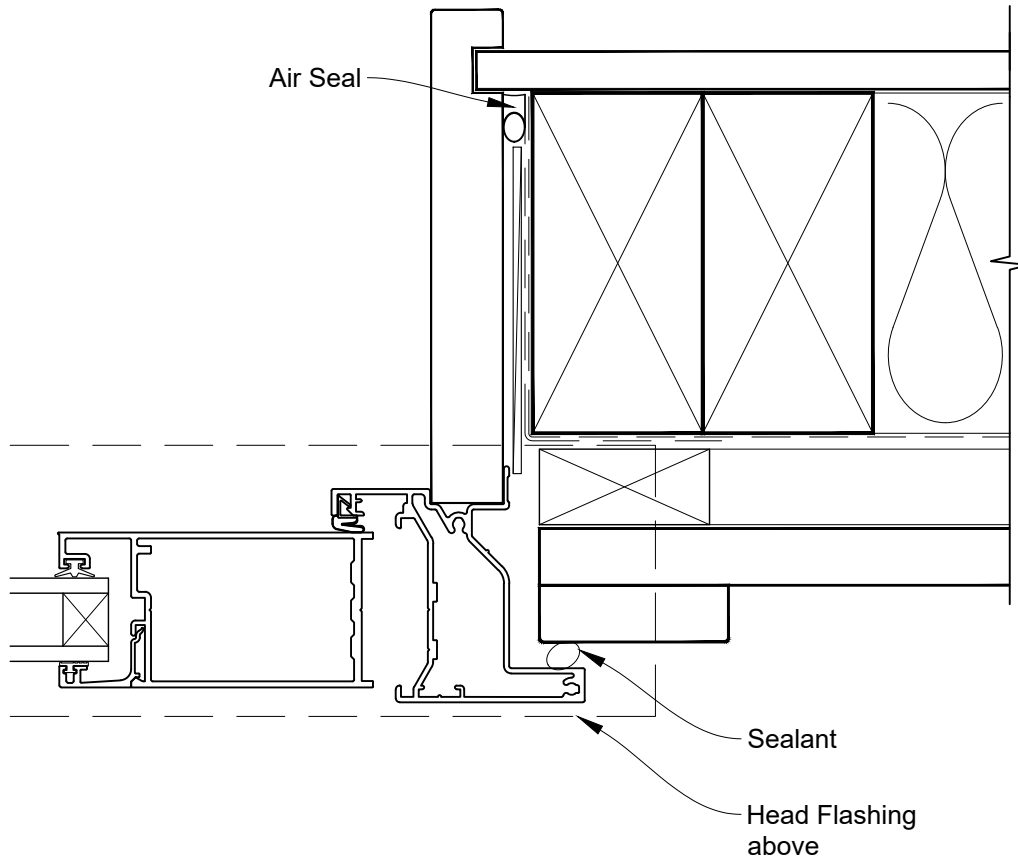


**INSTALLATION DETAIL - FIRST RESIDENTIAL
BIFOLD WINDOW ON BOARD & BATTEN
CAVITY CONSTRUCTION**

Date: 01.04.19

Scale: 1:2

CAD Ref.: FRBWBB-CJ

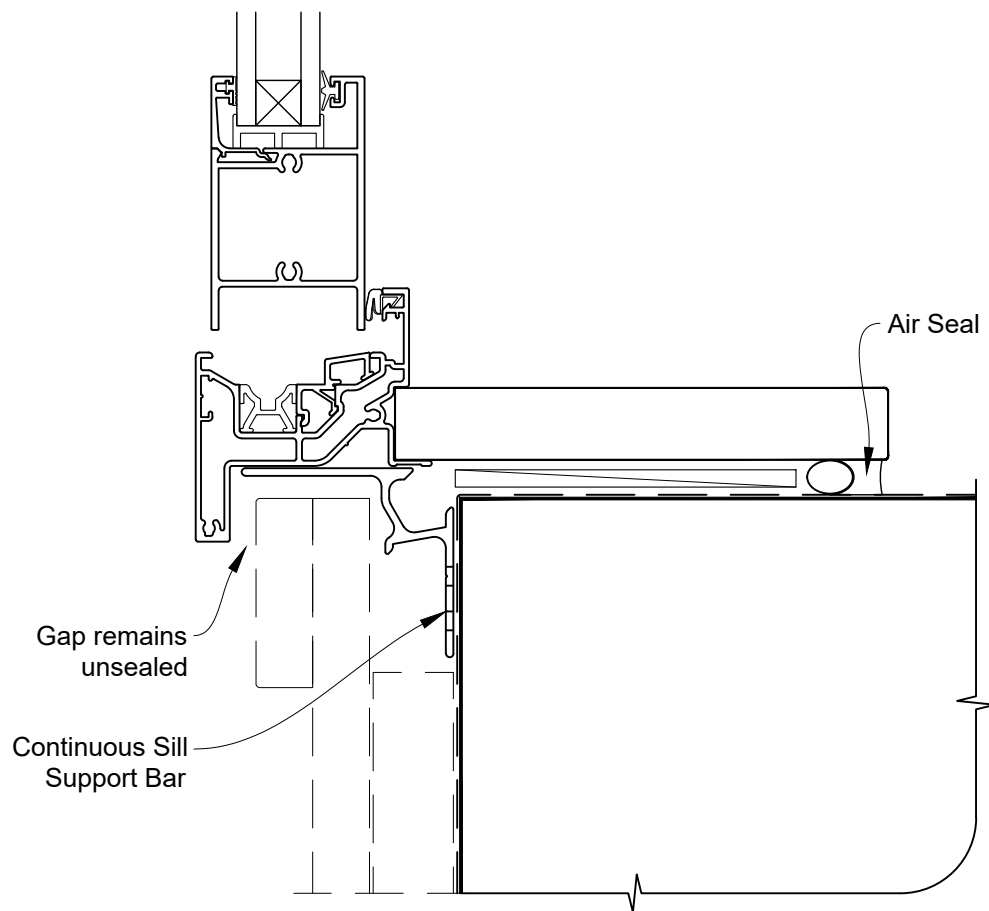


**INSTALLATION DETAIL - FIRST RESIDENTIAL
BIFOLD WINDOW ON BOARD & BATTEN
CAVITY CONSTRUCTION**

Date: 01.04.19

Scale: 1:2

CAD Ref.: FRBWBB-CS

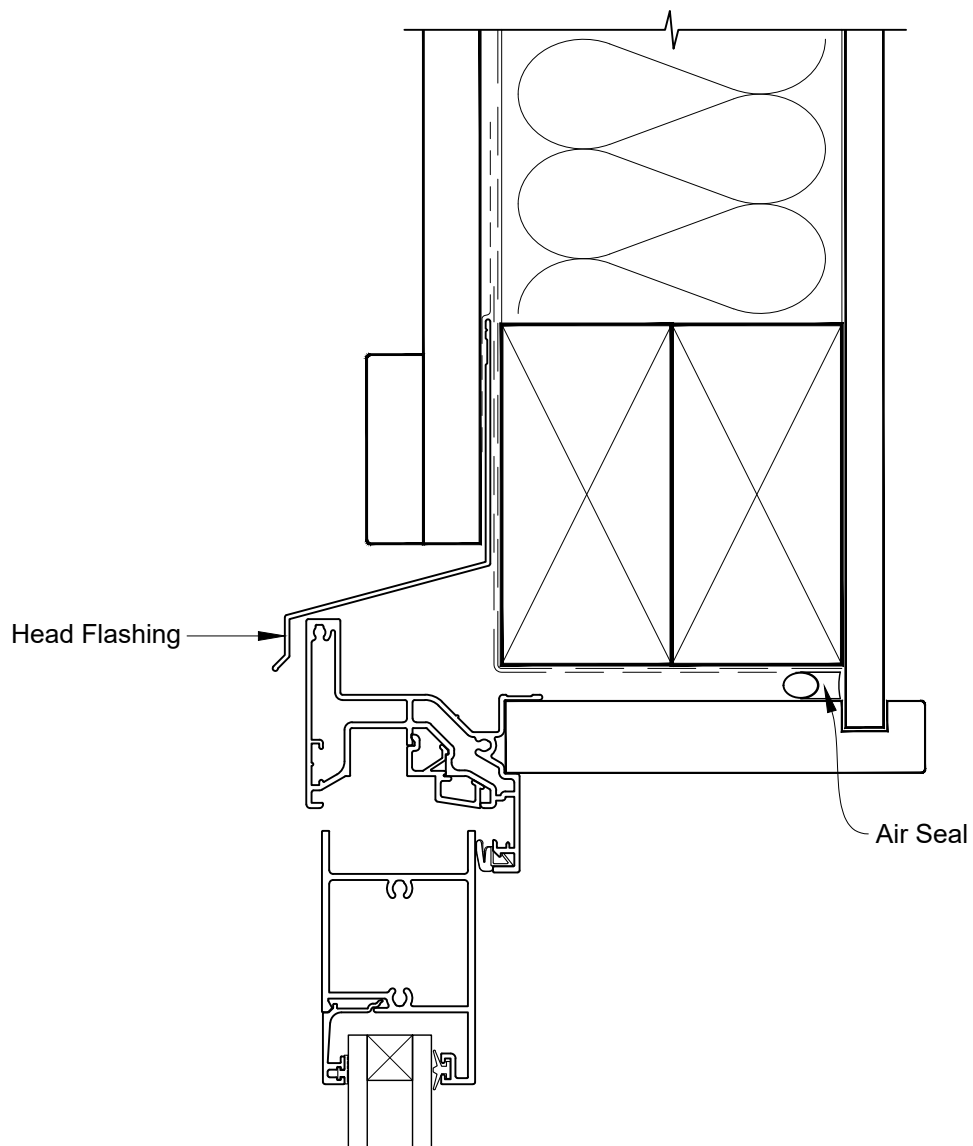


**INSTALLATION DETAIL - FIRST RESIDENTIAL
BIFOLD WINDOW ON BOARD & BATTEN
DIRECT FIXED CLADDING**

Date: 01.04.19

Scale: 1:2

CAD Ref.: FRBWBB-DH

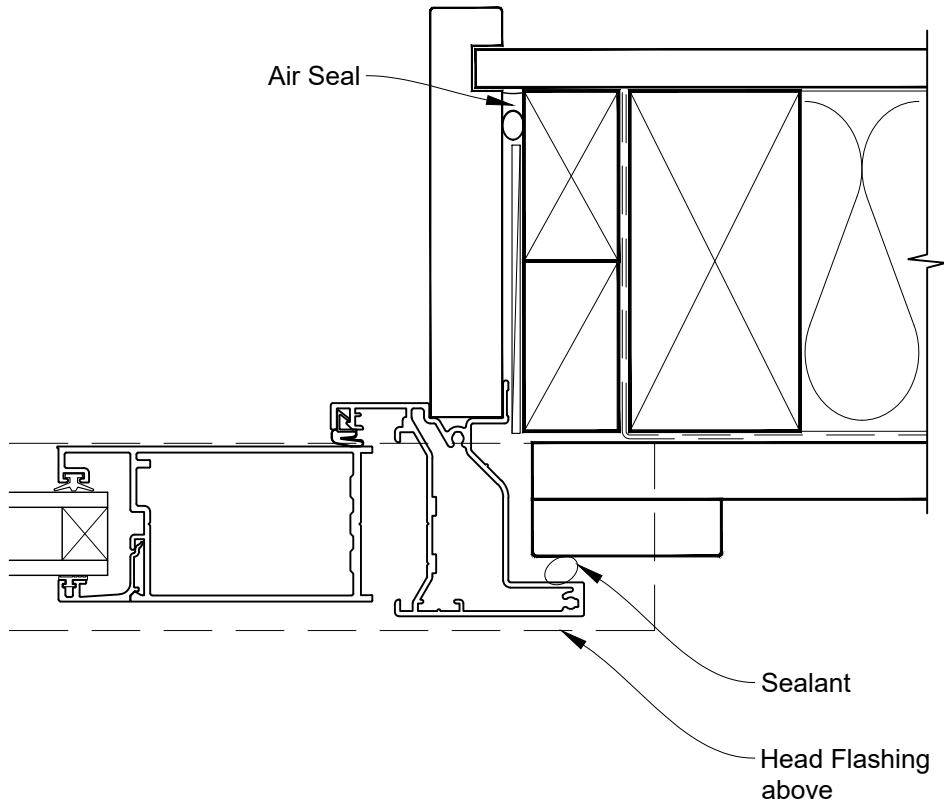


**INSTALLATION DETAIL - FIRST RESIDENTIAL
BIFOLD WINDOW ON BOARD & BATTEN
DIRECT FIXED CLADDING**

Date: 01.04.19

Scale: 1:2

CAD Ref.: FRBWBB-DJ



**INSTALLATION DETAIL - FIRST RESIDENTIAL
BIFOLD WINDOW ON BOARD & BATTEN
DIRECT FIXED CLADDING**

Date: 01.04.19

Scale: 1:2

CAD Ref.: FRBWBB-DS

