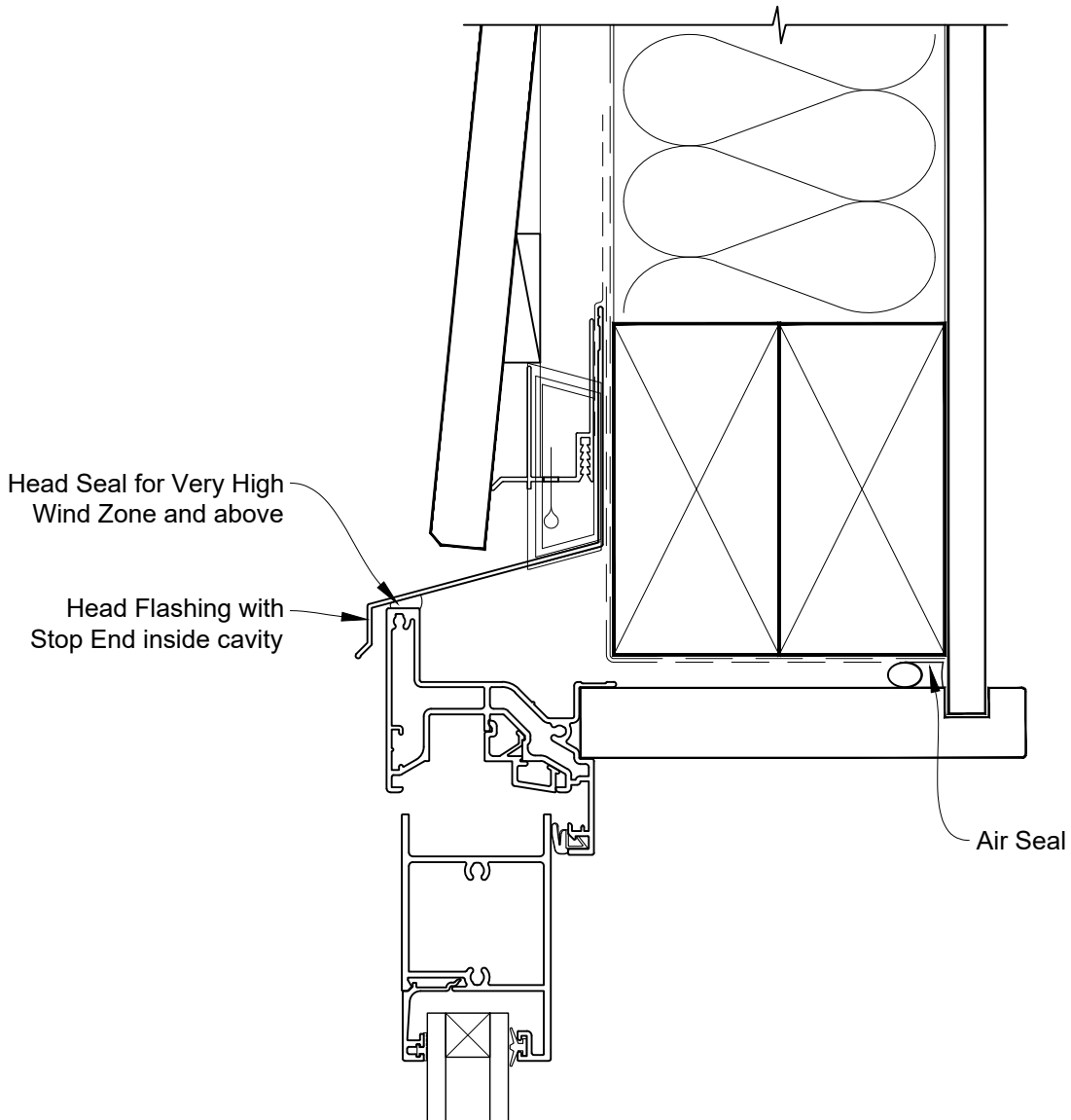


**INSTALLATION DETAIL - FIRST RESIDENTIAL
BIFOLD WINDOW ON BEVELBACK WEATHERBOARD
CAVITY CONSTRUCTION**

Date: 01.04.19

Scale: 1:2

CAD Ref.: FRBWBW-CH



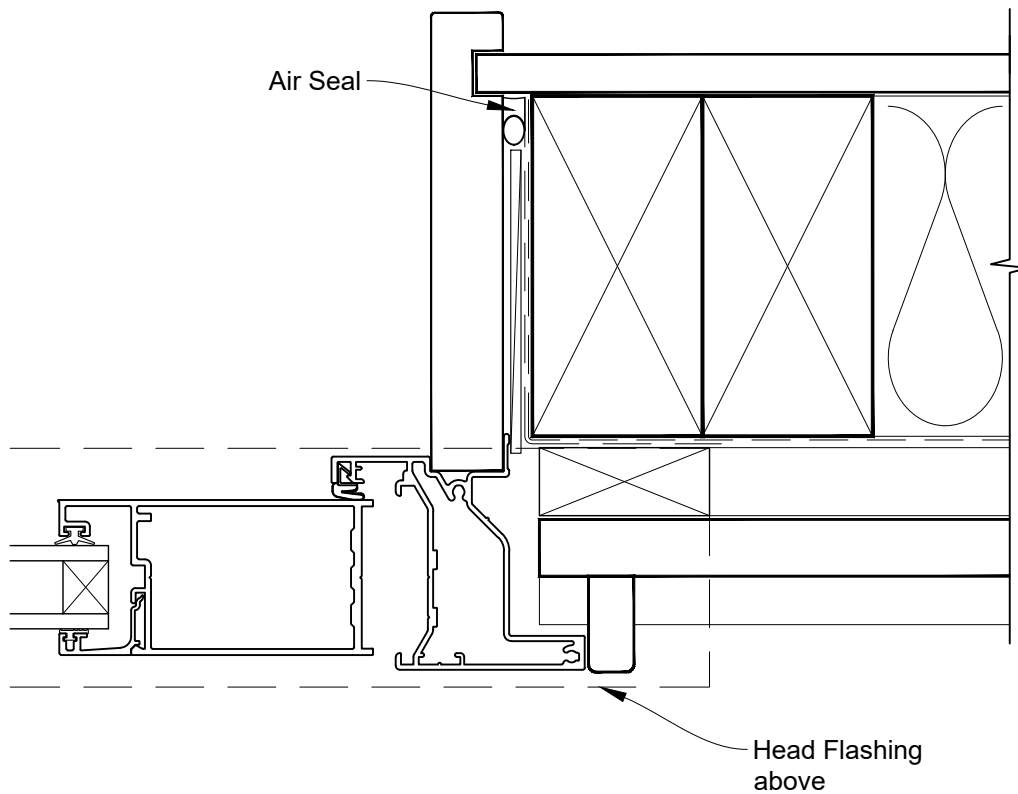


INSTALLATION DETAIL - FIRST RESIDENTIAL BIFOLD WINDOW ON BEVELBACK WEATHERBOARD CAVITY CONSTRUCTION

Date: 01.04.19

Scale: 1:2

CAD Ref.: FRBWBW-CJ

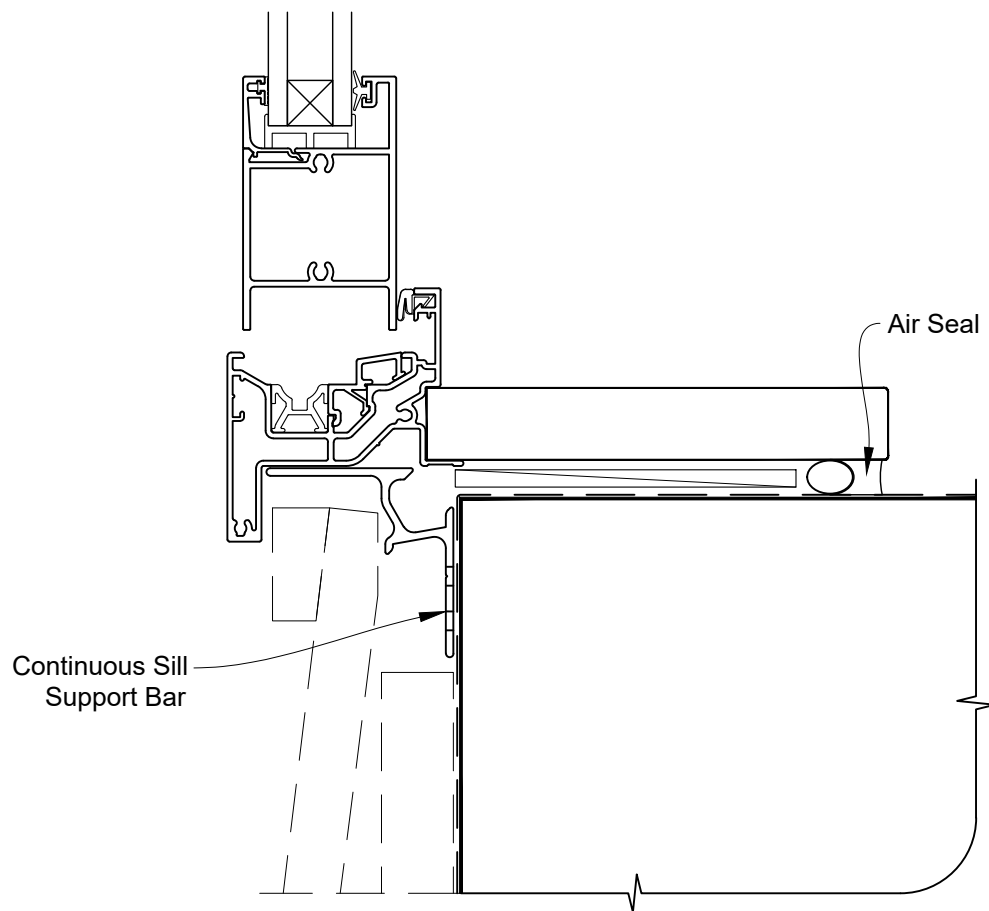


**INSTALLATION DETAIL - FIRST RESIDENTIAL
BIFOLD WINDOW ON BEVELBACK WEATHERBOARD
CAVITY CONSTRUCTION**

Date: 01.04.19

Scale: 1:2

CAD Ref.: FRBWBW-CS

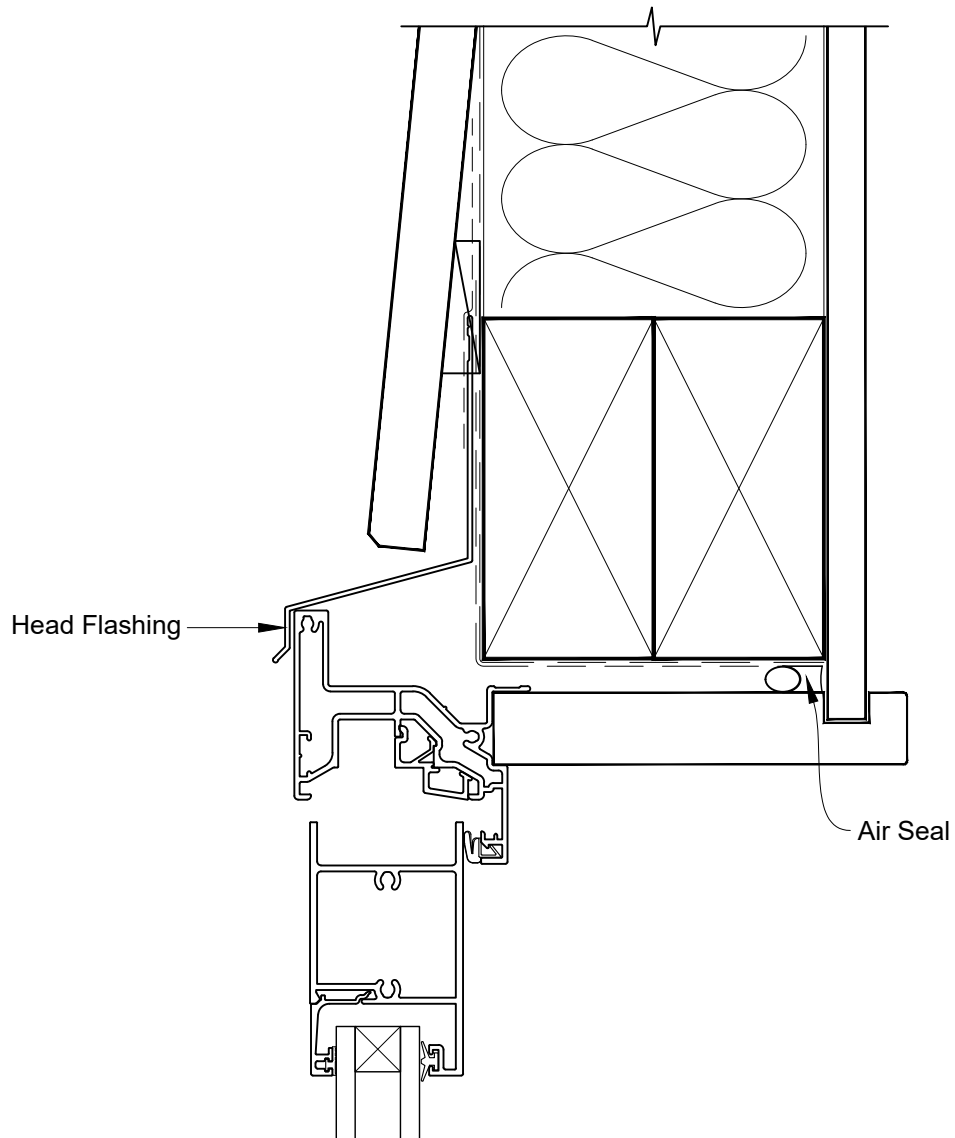


**INSTALLATION DETAIL - FIRST RESIDENTIAL
BIFOLD WINDOW ON BEVELBACK WEATHERBOARD
DIRECT FIXED CLADDING**

Date: 01.04.19

Scale: 1:2

CAD Ref.: FRBWBW-DH

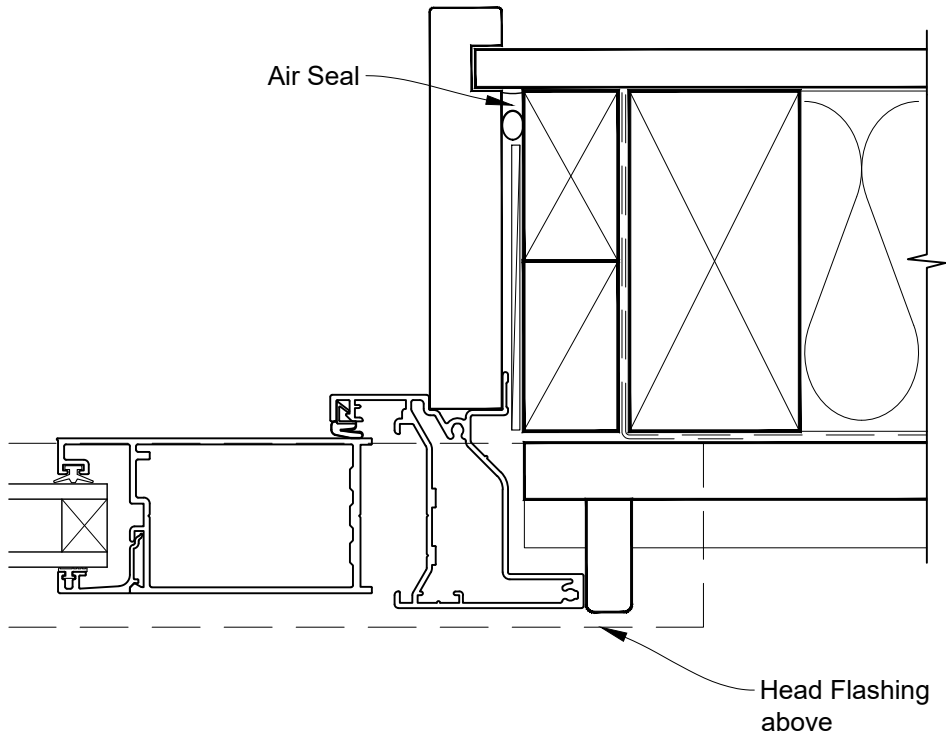


**INSTALLATION DETAIL - FIRST RESIDENTIAL
BIFOLD WINDOW ON BEVELBACK WEATHERBOARD
DIRECT FIXED CLADDING**

Date: 01.04.19

Scale: 1:2

CAD Ref.: FRBWBW-DJ



**INSTALLATION DETAIL - FIRST RESIDENTIAL
BIFOLD WINDOW ON BEVELBACK WEATHERBOARD
DIRECT FIXED CLADDING**

Date: 01.04.19

Scale: 1:2

CAD Ref.: FRBWBW-DS

