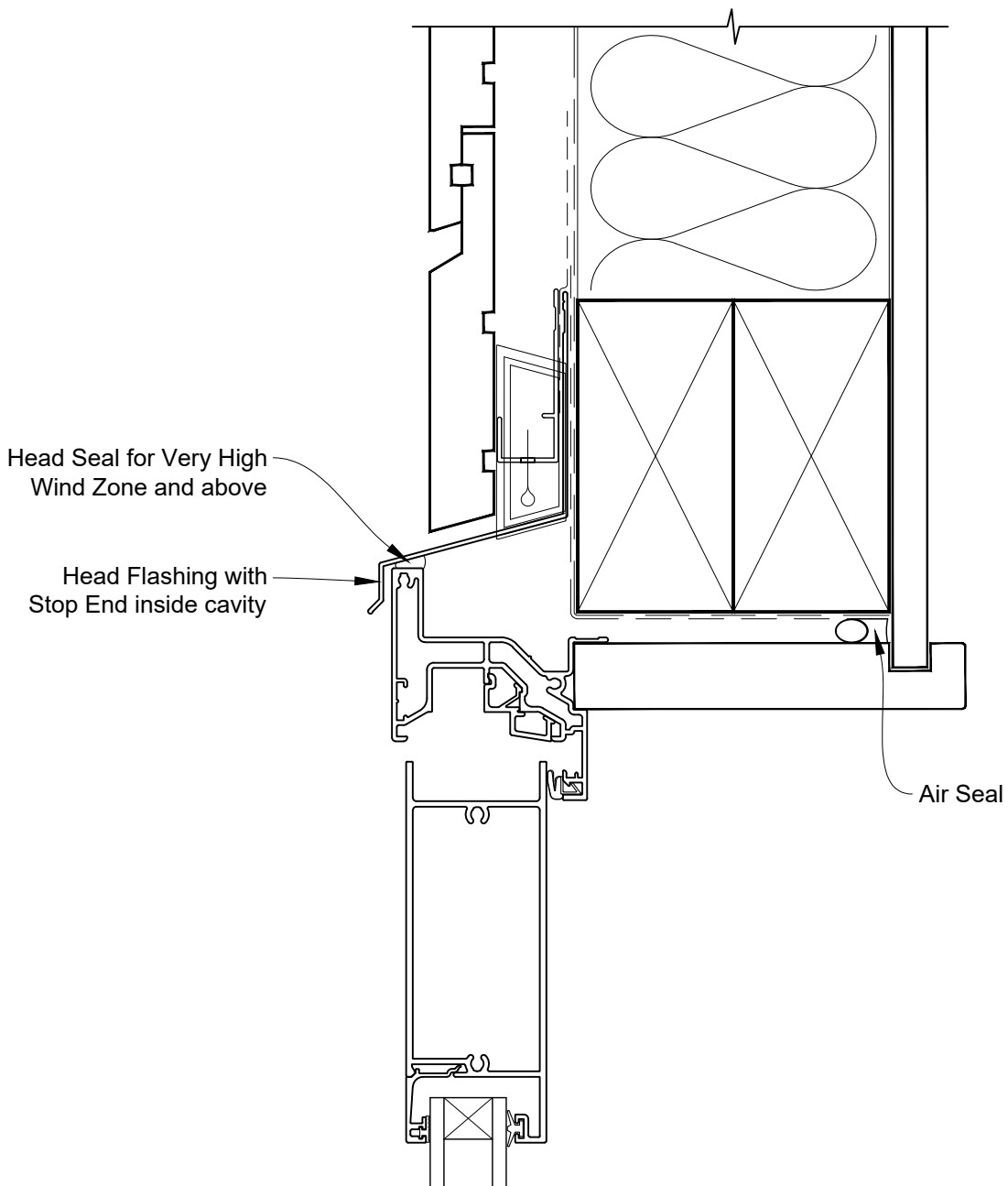


**INSTALLATION DETAIL - FIRST RESIDENTIAL  
BIFOLD DOOR OPEN OUT ON RUSTICATED WEATHERBOARD  
CAVITY CONSTRUCTION**

Date: 01.04.19

Scale: 1:2

CAD Ref.: FRBORW-CH

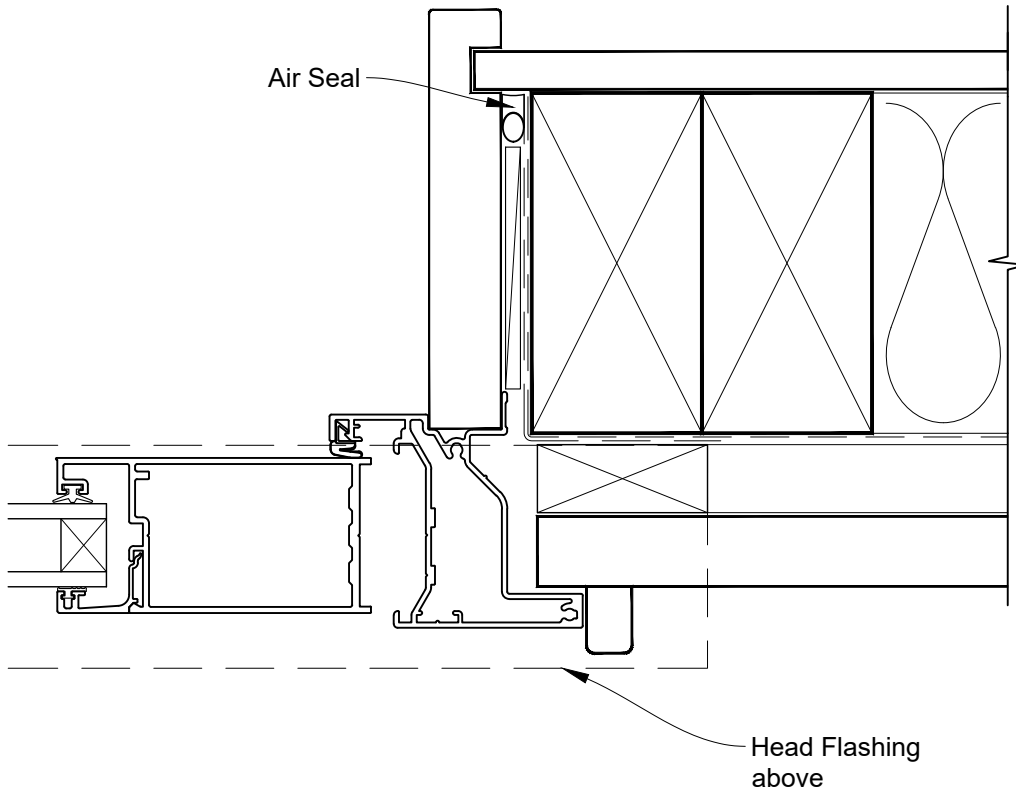


**INSTALLATION DETAIL - FIRST RESIDENTIAL  
BIFOLD DOOR OPEN OUT ON RUSTICATED WEATHERBOARD  
CAVITY CONSTRUCTION**

Date: 01.04.19

Scale: 1:2

CAD Ref.: FRBORW-CJ

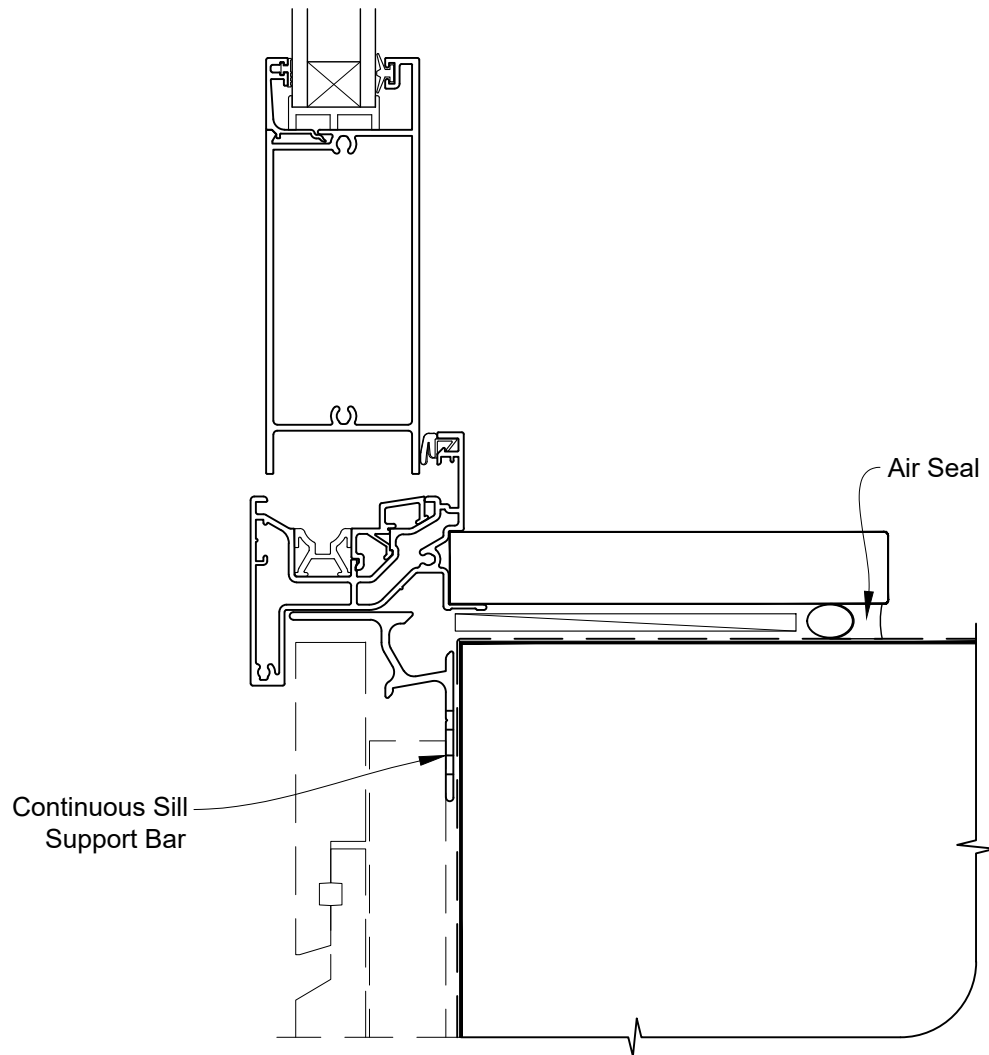


**INSTALLATION DETAIL - FIRST RESIDENTIAL  
BIFOLD DOOR OPEN OUT ON RUSTICATED WEATHERBOARD  
CAVITY CONSTRUCTION**

Date: 01.04.19

Scale: 1:2

CAD Ref.: FRBORW-CS

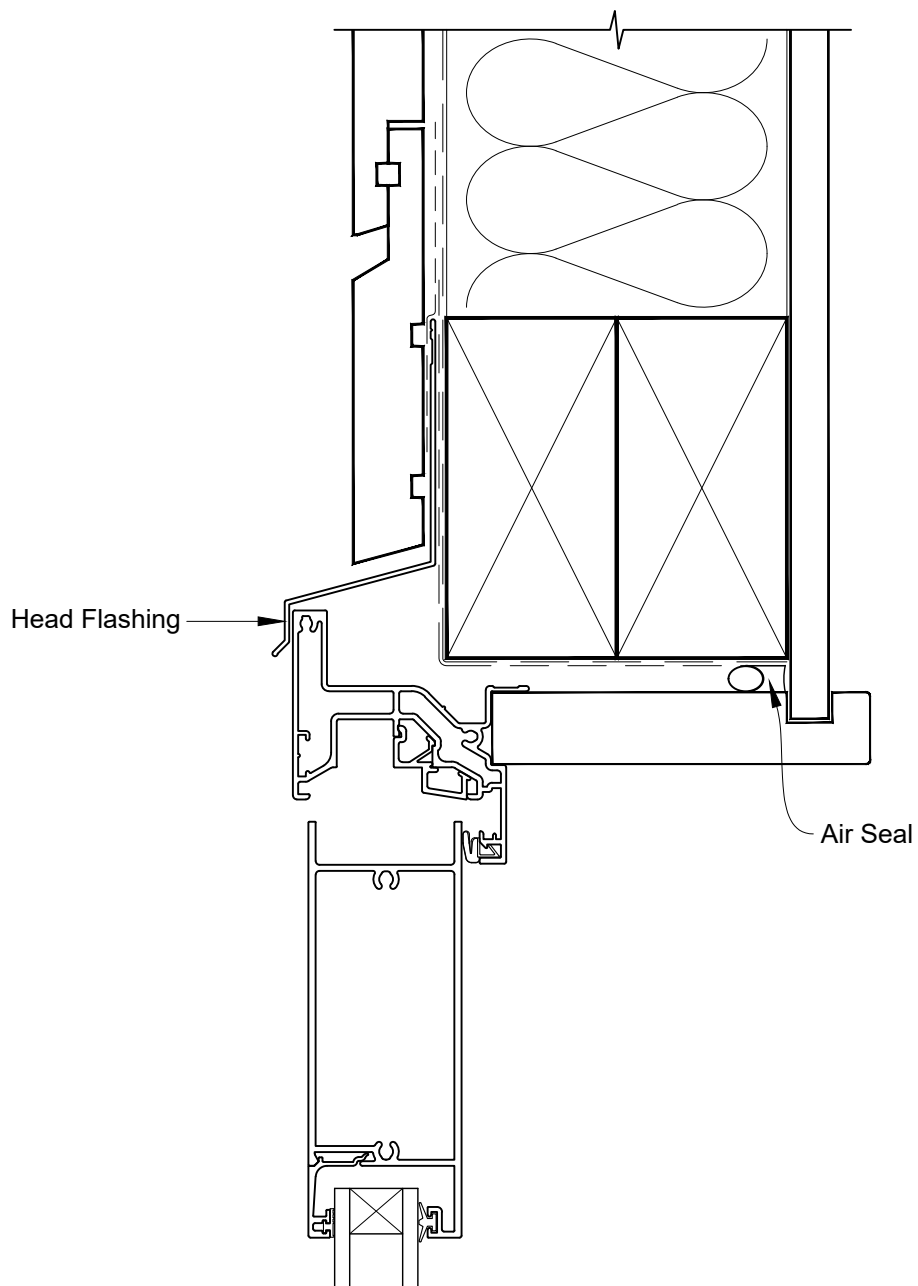


**INSTALLATION DETAIL - FIRST RESIDENTIAL  
BIFOLD DOOR OPEN OUT ON RUSTICATED WEATHERBOARD  
DIRECT FIXED CLADDING**

Date: 01.04.19

Scale: 1:2

CAD Ref.: FRBORW-DH

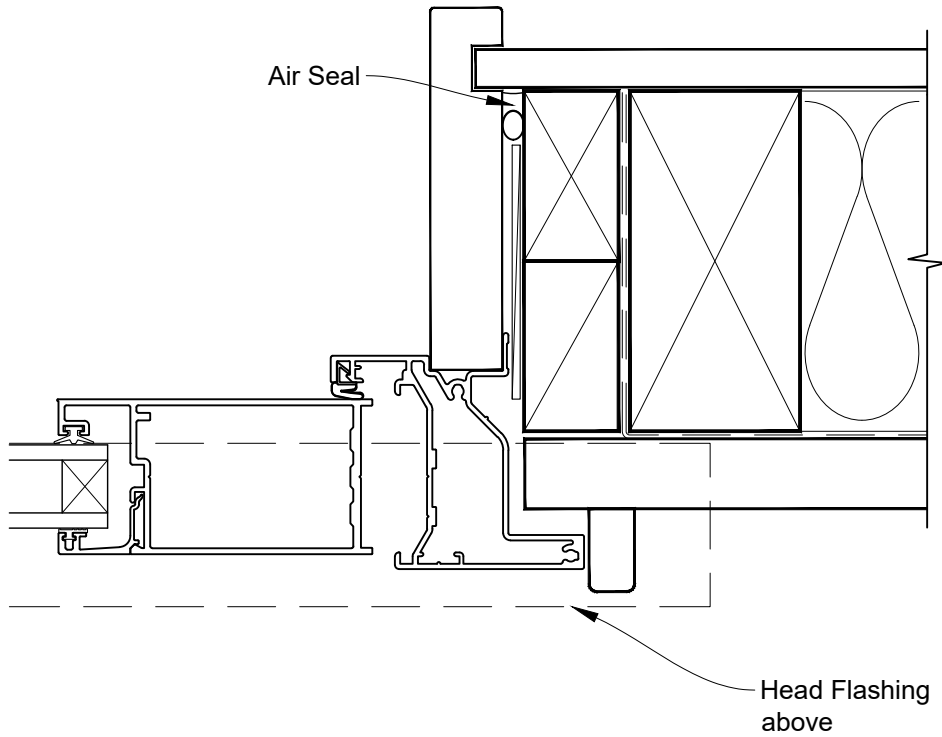


**INSTALLATION DETAIL - FIRST RESIDENTIAL  
BIFOLD DOOR OPEN OUT ON RUSTICATED WEATHERBOARD  
DIRECT FIXED CLADDING**

Date: 01.04.19

Scale: 1:2

CAD Ref.: FRBORW-DJ



**INSTALLATION DETAIL - FIRST RESIDENTIAL  
BIFOLD DOOR OPEN OUT ON RUSTICATED WEATHERBOARD  
DIRECT FIXED CLADDING**

Date: 01.04.19

Scale: 1:2

CAD Ref.: FRBORW-DS

