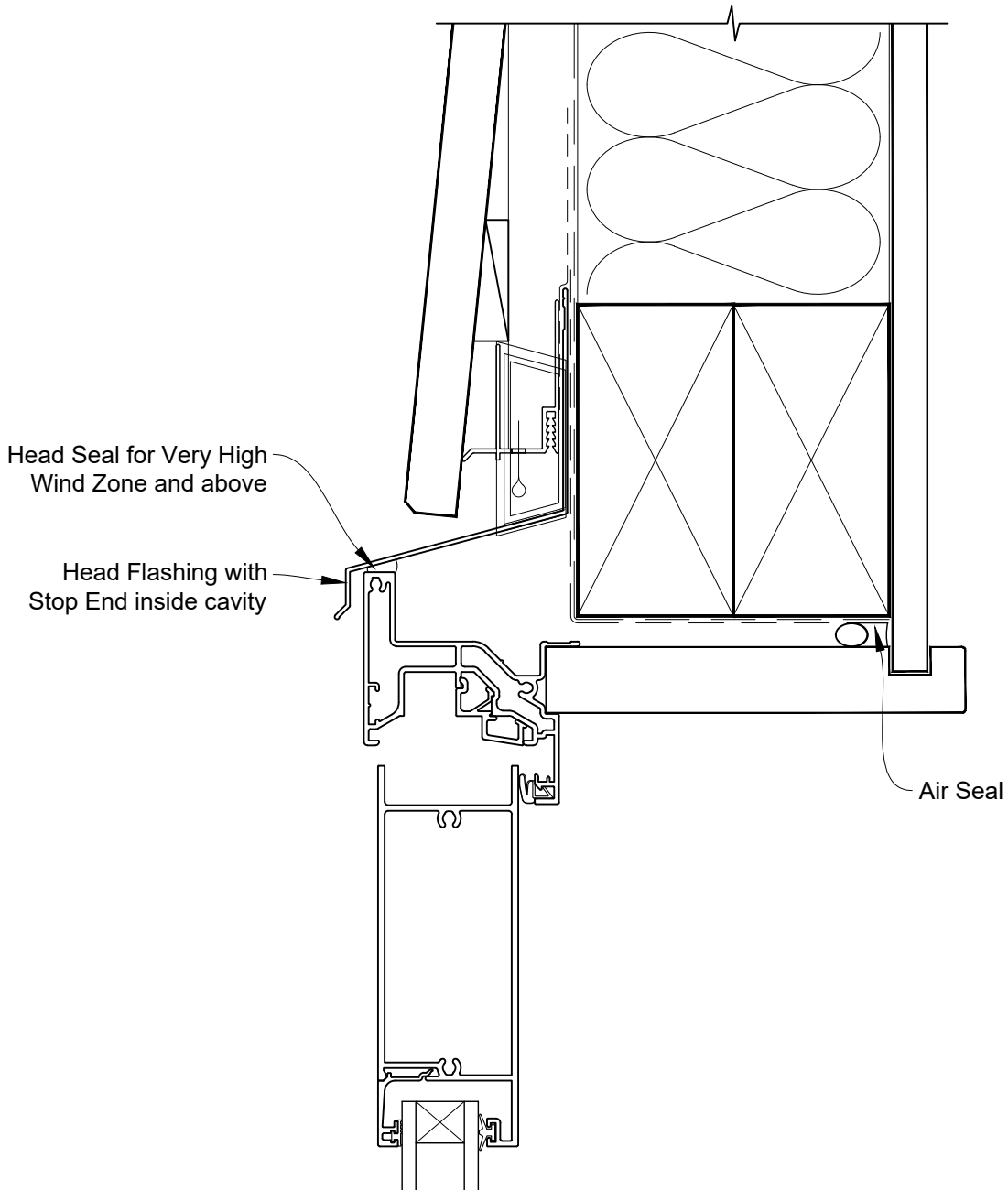


**INSTALLATION DETAIL - FIRST RESIDENTIAL  
BIFOLD DOOR OPEN OUT ON BEVELBACK WEATHERBOARD  
CAVITY CONSTRUCTION**

Date: 01.04.19

Scale: 1:2

CAD Ref.: FRBOBW-CH

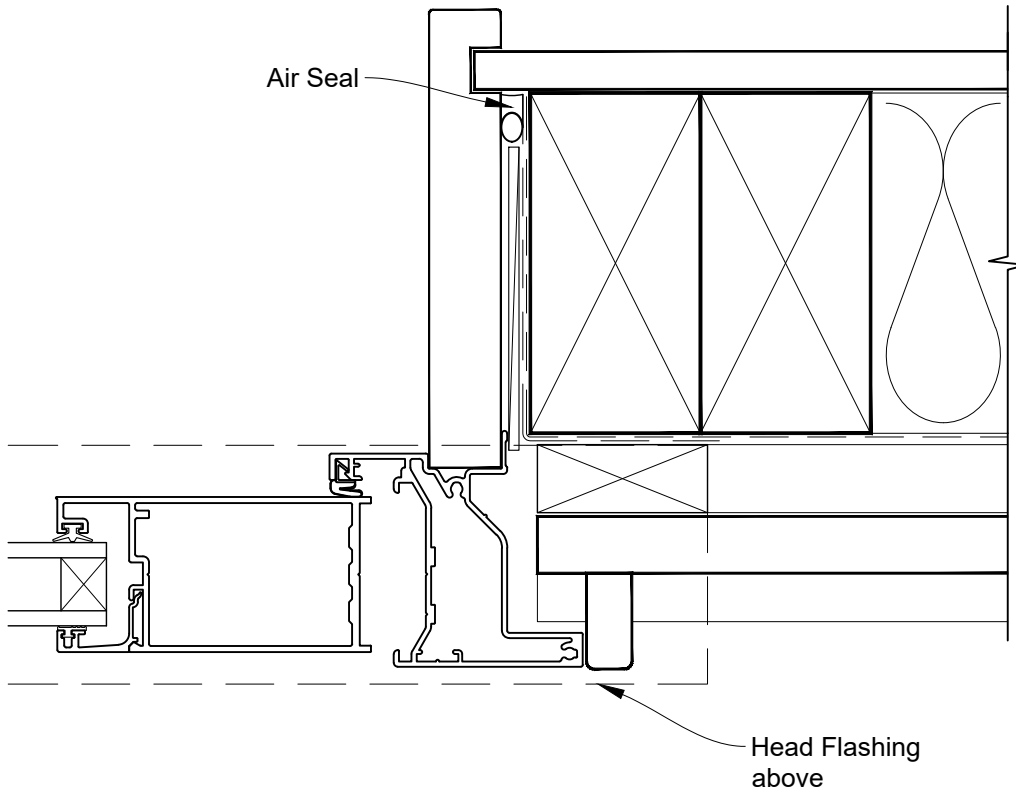


**INSTALLATION DETAIL - FIRST RESIDENTIAL  
BIFOLD DOOR OPEN OUT ON BEVELBACK WEATHERBOARD  
CAVITY CONSTRUCTION**

Date: 01.04.19

Scale: 1:2

CAD Ref.: FRBOBW-CJ

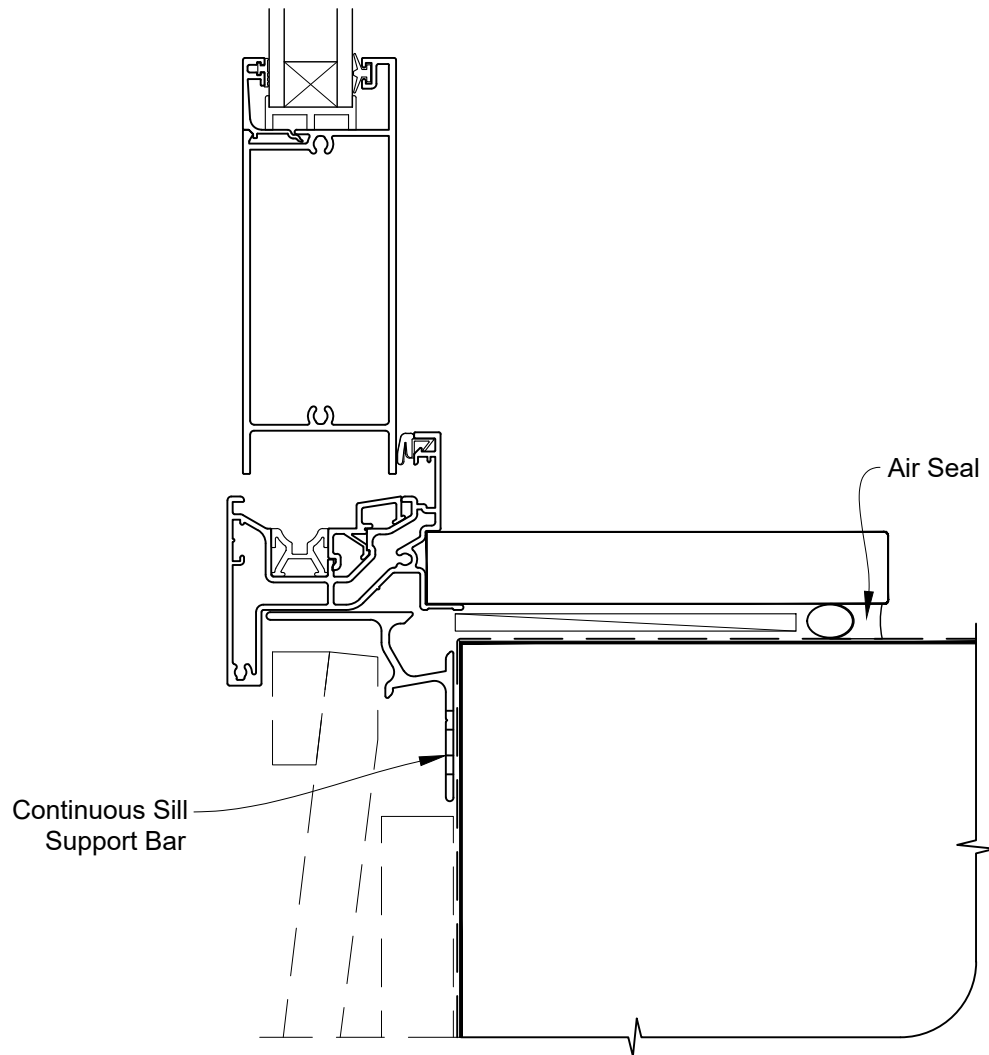


**INSTALLATION DETAIL - FIRST RESIDENTIAL  
BIFOLD DOOR OPEN OUT ON BEVELBACK WEATHERBOARD  
CAVITY CONSTRUCTION**

Date: 01.04.19

Scale: 1:2

CAD Ref.: FRBOBW-CS

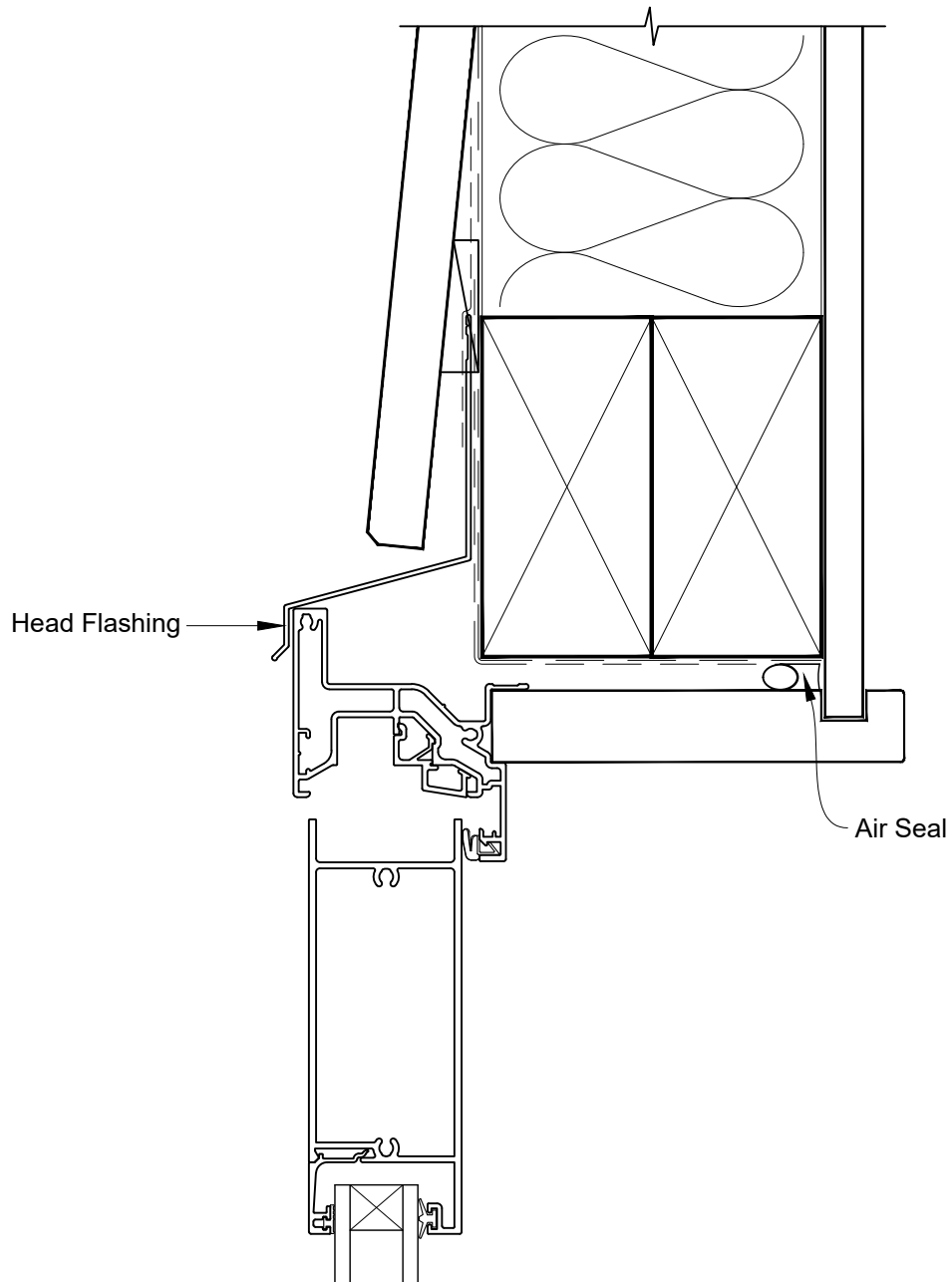


**INSTALLATION DETAIL - FIRST RESIDENTIAL  
BIFOLD DOOR OPEN OUT ON BEVELBACK WEATHERBOARD  
DIRECT FIXED CLADDING**

Date: 01.04.19

Scale: 1:2

CAD Ref.: FRBOBW-DH

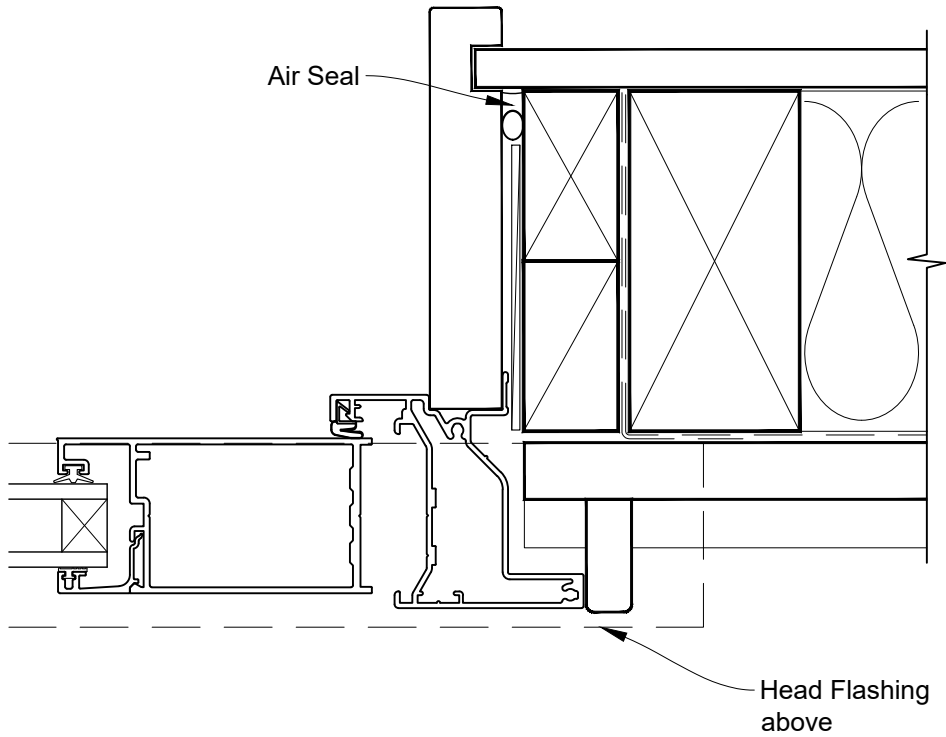


**INSTALLATION DETAIL - FIRST RESIDENTIAL  
BIFOLD DOOR OPEN OUT ON BEVELBACK WEATHERBOARD  
DIRECT FIXED CLADDING**

Date: 01.04.19

Scale: 1:2

CAD Ref.: FRBOBW-DJ



**INSTALLATION DETAIL - FIRST RESIDENTIAL  
BIFOLD DOOR OPEN OUT ON BEVELBACK WEATHERBOARD  
DIRECT FIXED CLADDING**

Date: 01.04.19

Scale: 1:2

CAD Ref.: FRBOBW-DS

