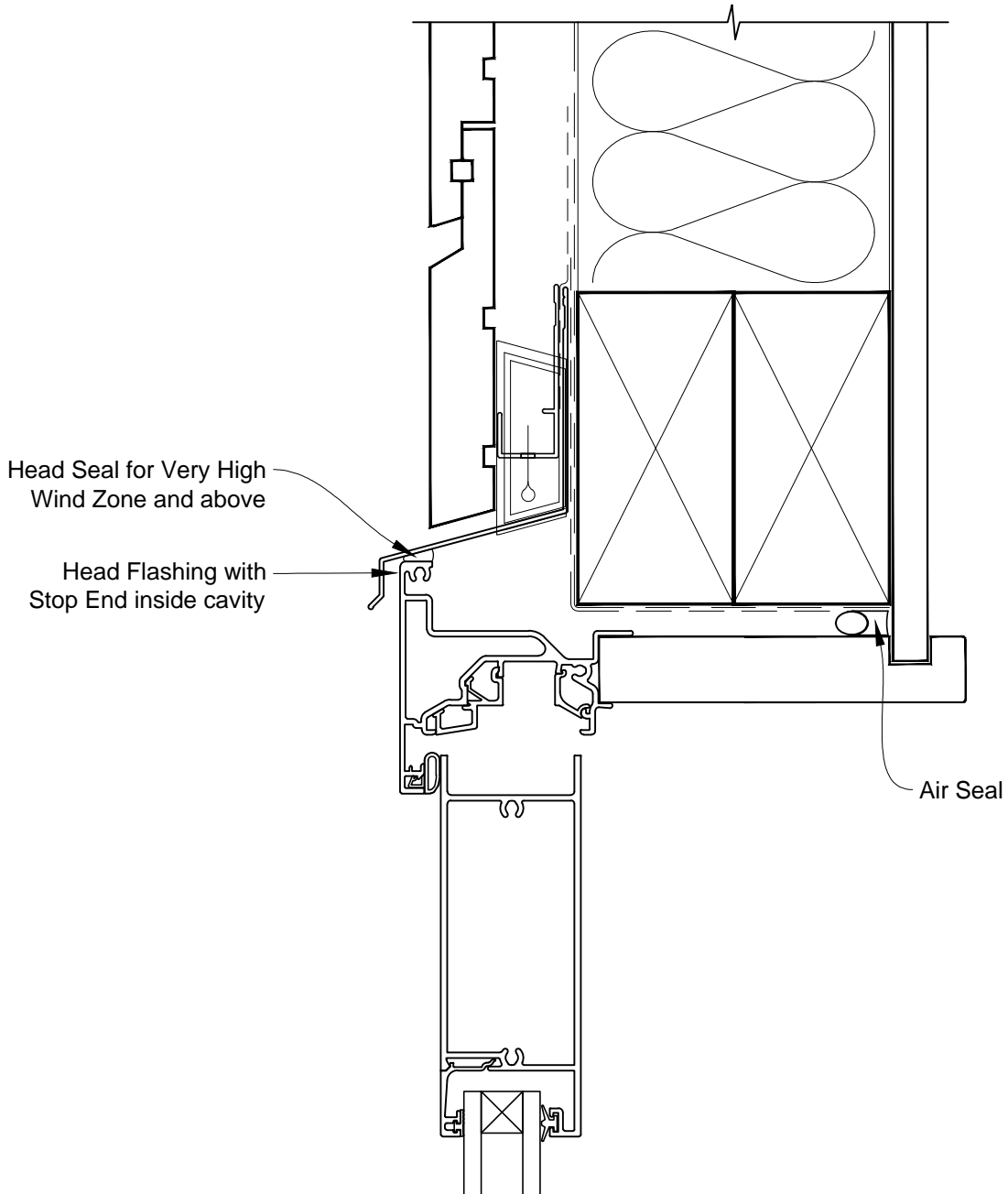


**INSTALLATION DETAIL - FIRST RESIDENTIAL  
BIFOLD DOOR OPEN IN ON RUSTICATED WEATHERBOARD  
CAVITY CONSTRUCTION**

Date: 01.03.14

Scale: 1:2

CAD Ref.: FRBIRW-CH

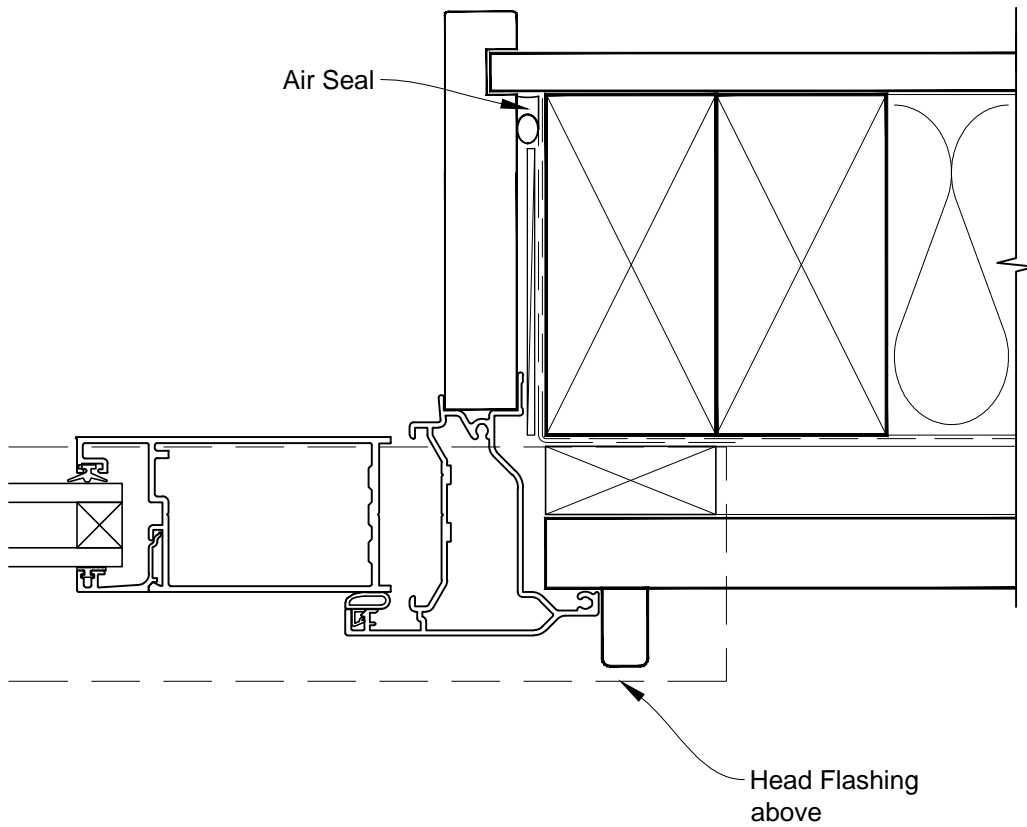


**INSTALLATION DETAIL - FIRST RESIDENTIAL  
BIFOLD DOOR OPEN IN ON RUSTICATED WEATHERBOARD  
CAVITY CONSTRUCTION**

Date: 01.03.14

Scale: 1:2

CAD Ref.: FRBIRW-CJ

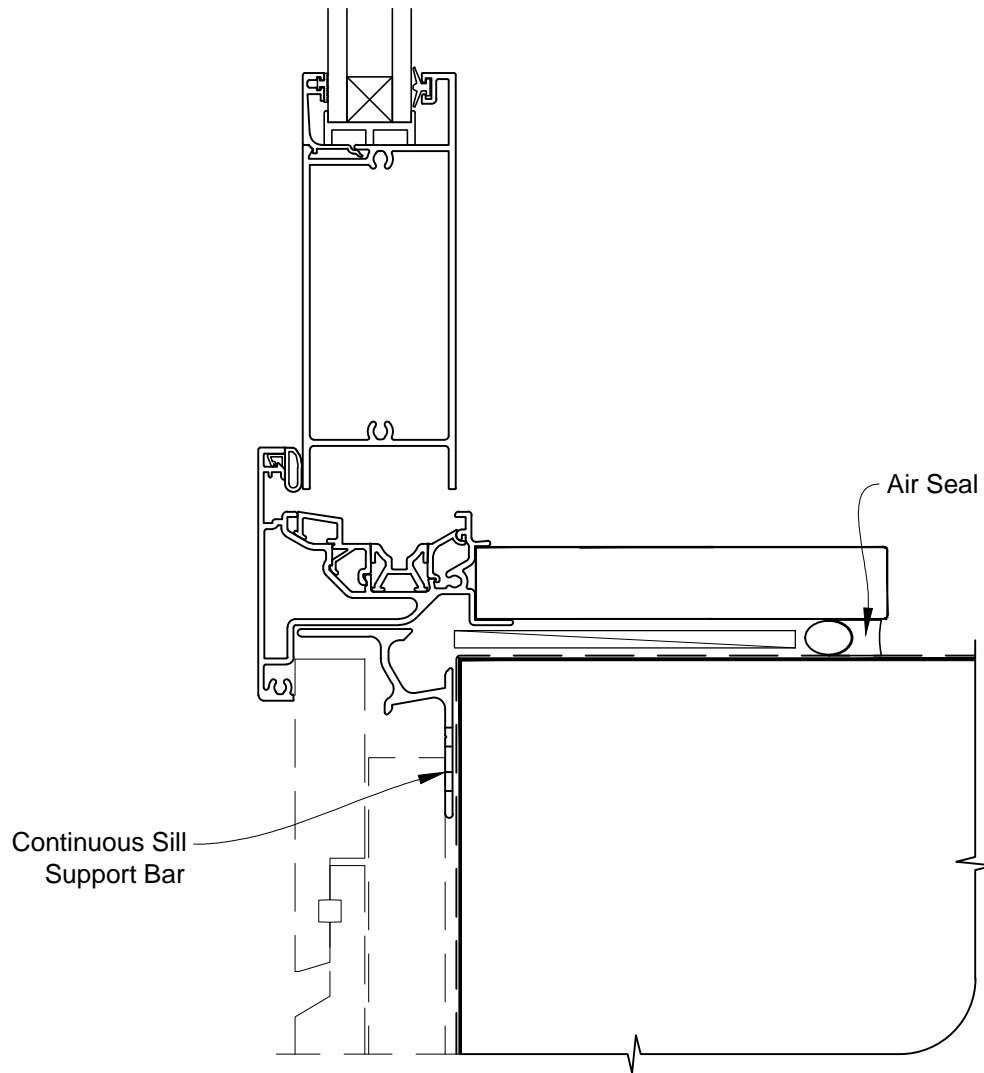


**INSTALLATION DETAIL - FIRST RESIDENTIAL  
BIFOLD DOOR OPEN IN ON RUSTICATED WEATHERBOARD  
CAVITY CONSTRUCTION**

Date: 01.03.14

Scale: 1:2

CAD Ref.: FRBIRW-CS

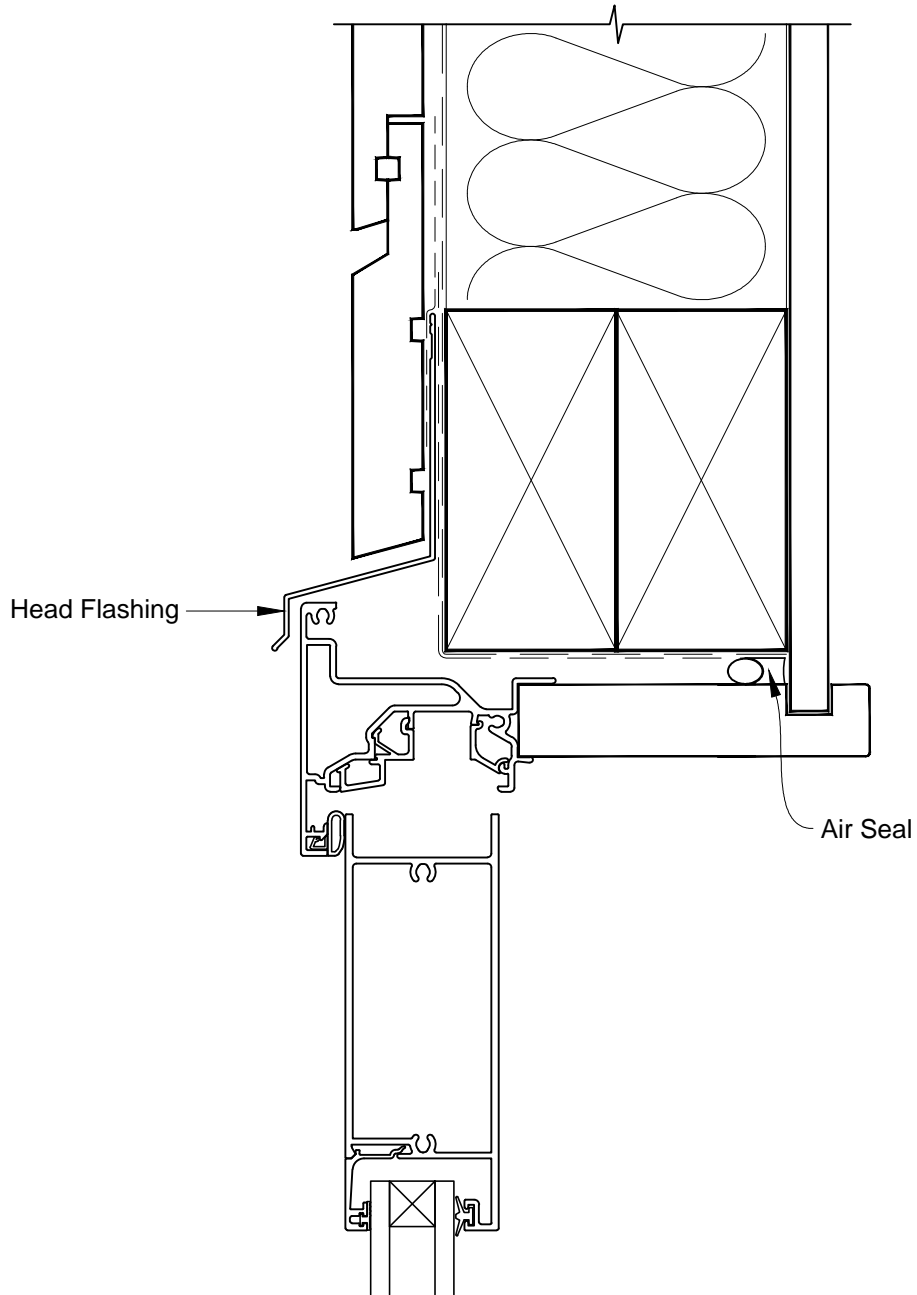


**INSTALLATION DETAIL - FIRST RESIDENTIAL  
BIFOLD DOOR OPEN IN ON RUSTICATED WEATHERBOARD  
DIRECT FIXED CLADDING**

Date: 01.03.14

Scale: 1:2

CAD Ref.: FRBIRW-DH

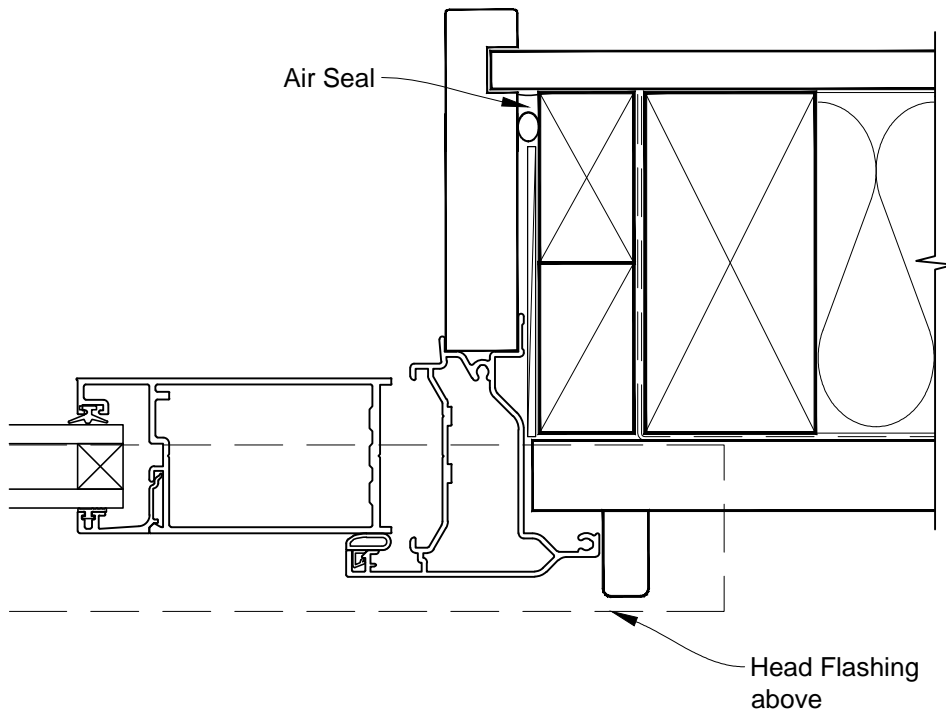


**INSTALLATION DETAIL - FIRST RESIDENTIAL  
BIFOLD DOOR OPEN IN ON RUSTICATED WEATHERBOARD  
DIRECT FIXED CLADDING**

Date: 01.03.14

Scale: 1:2

CAD Ref.: FRBIRW-DJ



**INSTALLATION DETAIL - FIRST RESIDENTIAL  
BIFOLD DOOR OPEN IN ON RUSTICATED WEATHERBOARD  
DIRECT FIXED CLADDING**

Date: 01.03.14

Scale: 1:2

CAD Ref.: FRBIRW-DS

