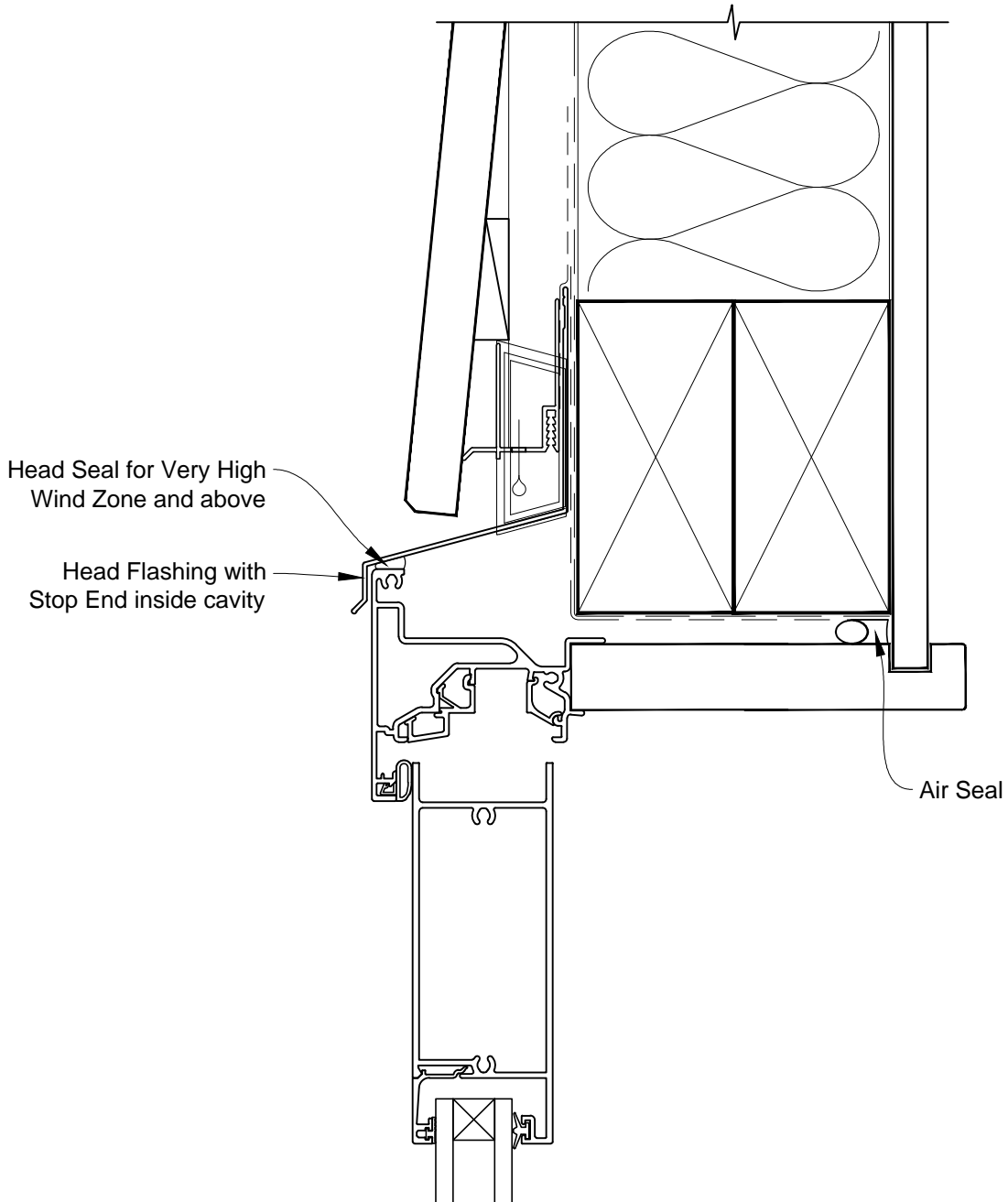


**INSTALLATION DETAIL - FIRST RESIDENTIAL  
BIFOLD DOOR OPEN IN ON BEVELBACK WEATHERBOARD  
CAVITY CONSTRUCTION**

Date: 01.03.14

Scale: 1:2

CAD Ref.: FRBIBW-CH

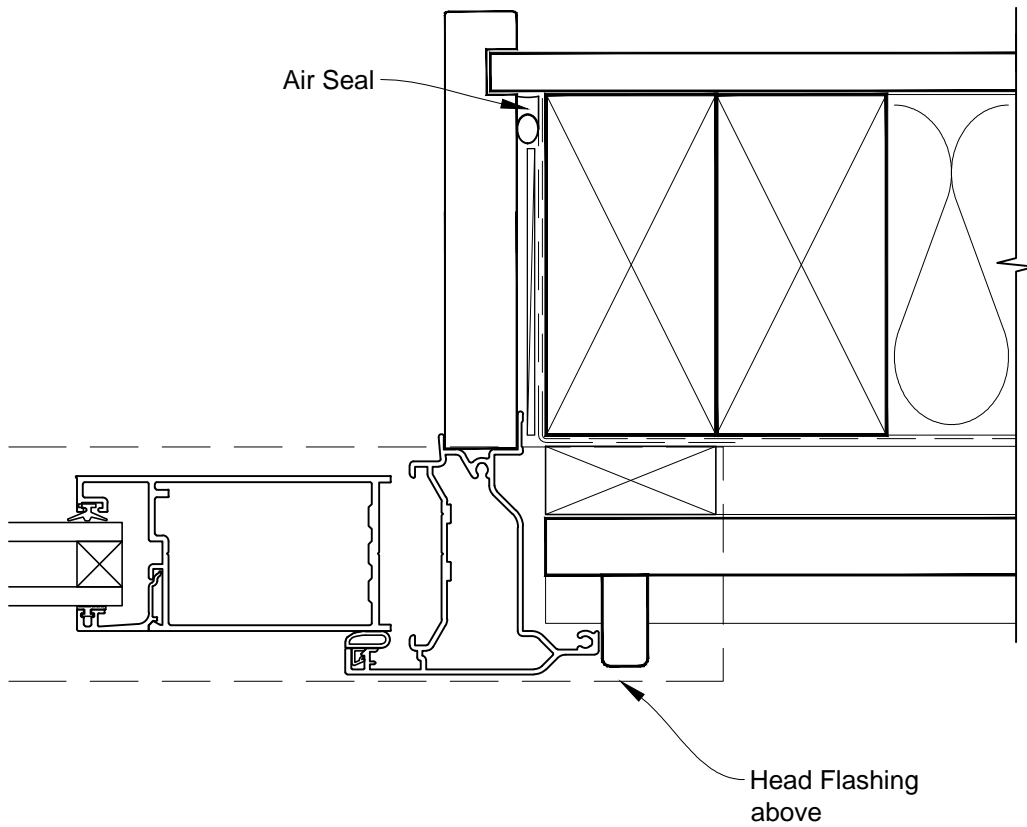


**INSTALLATION DETAIL - FIRST RESIDENTIAL  
BIFOLD DOOR OPEN IN ON BEVELBACK WEATHERBOARD  
CAVITY CONSTRUCTION**

Date: 01.03.14

Scale: 1:2

CAD Ref.: FRBIBW-CJ

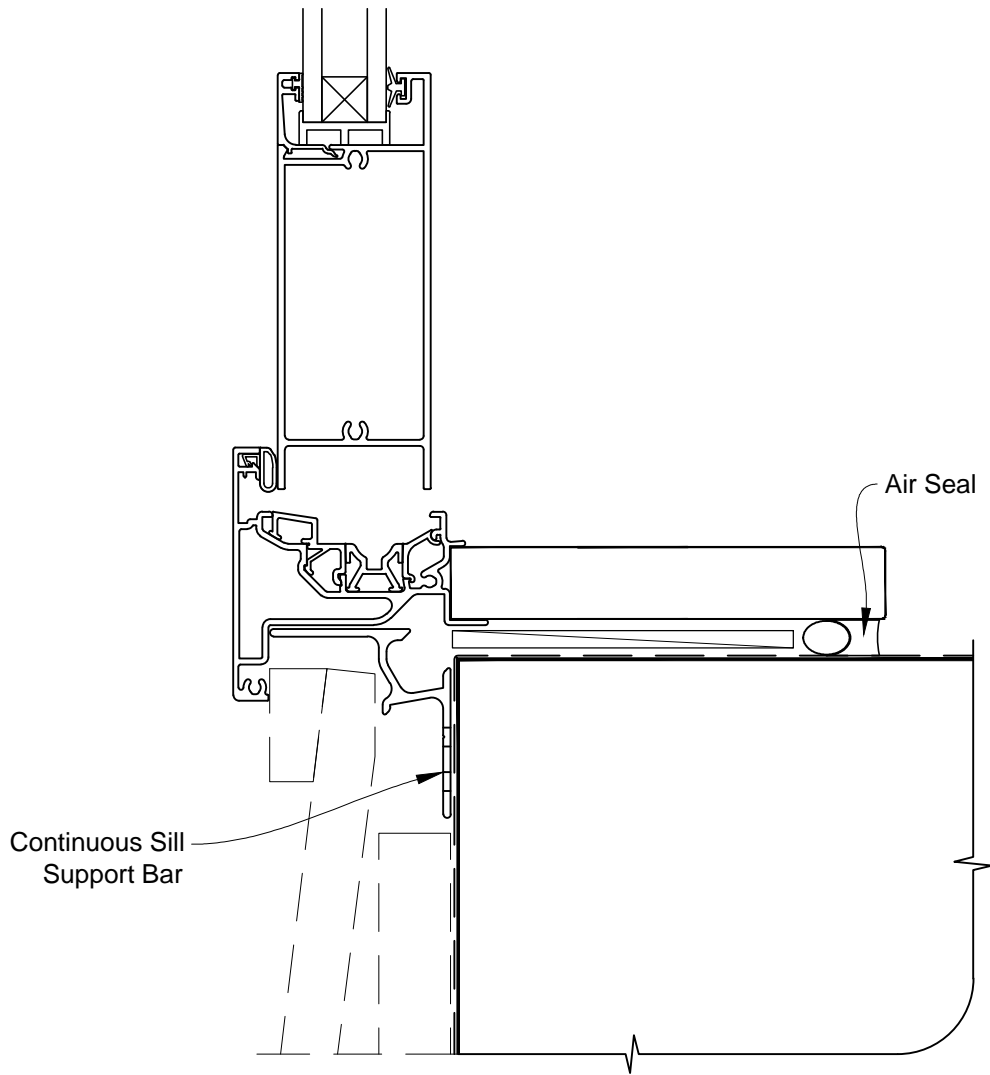


**INSTALLATION DETAIL - FIRST RESIDENTIAL  
BIFOLD DOOR OPEN IN ON BEVELBACK WEATHERBOARD  
CAVITY CONSTRUCTION**

Date: 01.03.14

Scale: 1:2

CAD Ref.: FRBIBW-CS

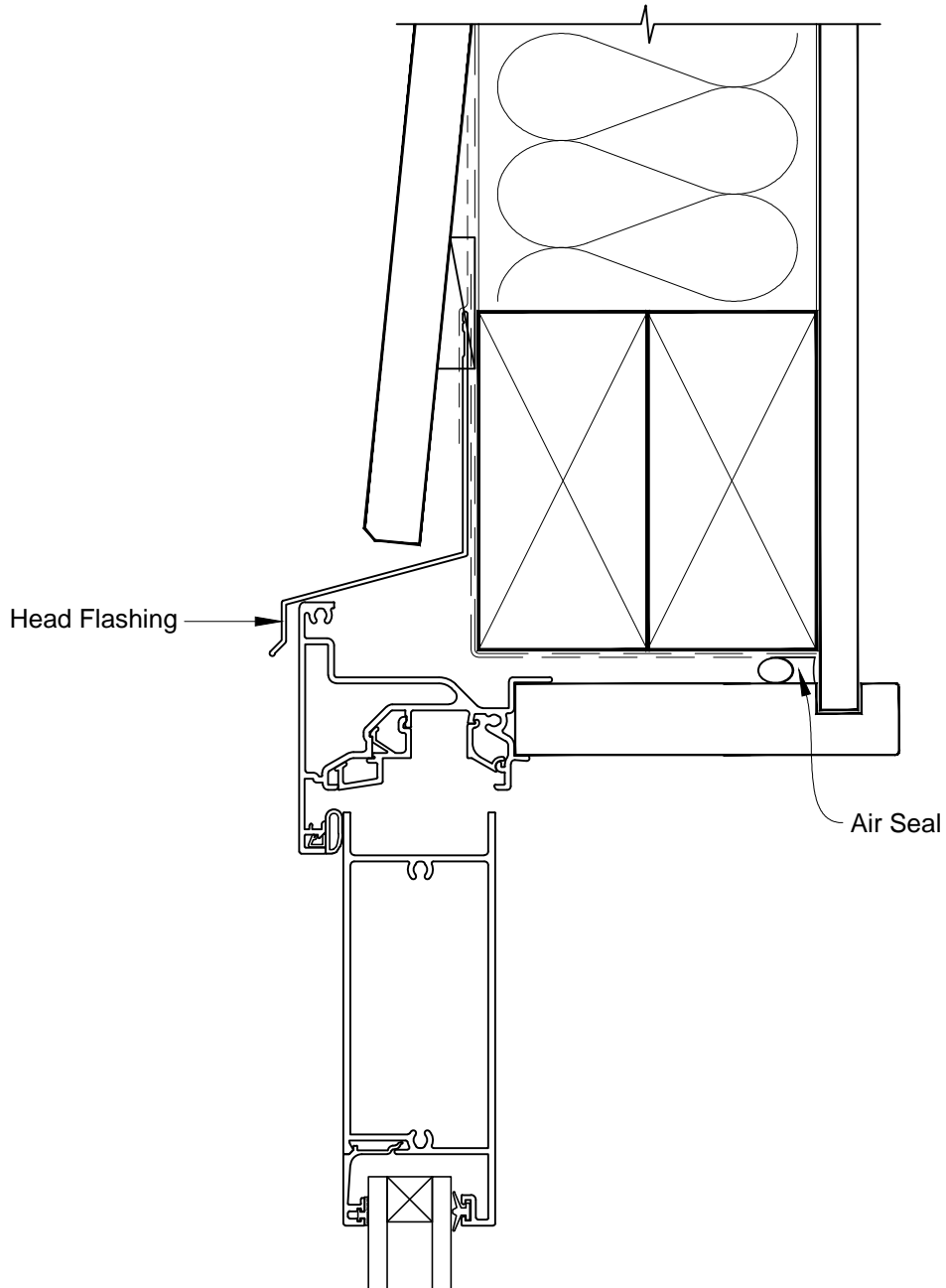


**INSTALLATION DETAIL - FIRST RESIDENTIAL  
BIFOLD DOOR OPEN IN ON BEVELBACK WEATHERBOARD  
DIRECT FIXED CLADDING**

Date: 01.03.14

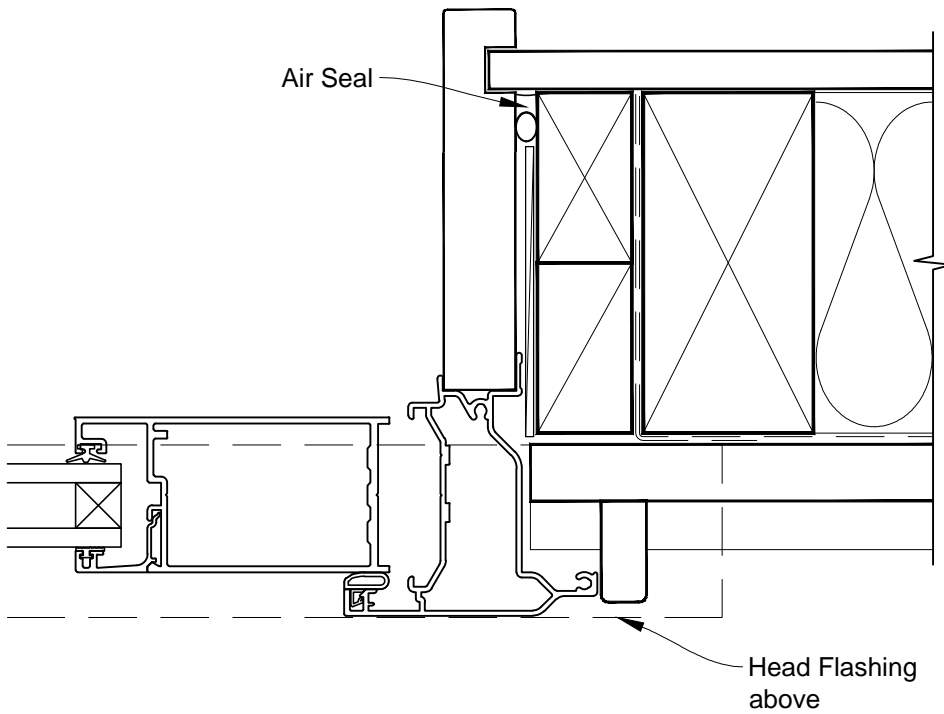
Scale: 1:2

CAD Ref.: FRBIBW-DH



**INSTALLATION DETAIL - FIRST RESIDENTIAL  
BIFOLD DOOR OPEN IN ON BEVELBACK WEATHERBOARD  
DIRECT FIXED CLADDING**

Date: 01.03.14      Scale: 1:2      CAD Ref.: FRBIBW-DJ



**INSTALLATION DETAIL - FIRST RESIDENTIAL  
BIFOLD DOOR OPEN IN ON BEVELBACK WEATHERBOARD  
DIRECT FIXED CLADDING**

Date: 01.03.14

Scale: 1:2

CAD Ref.: FRBIBW-DS

